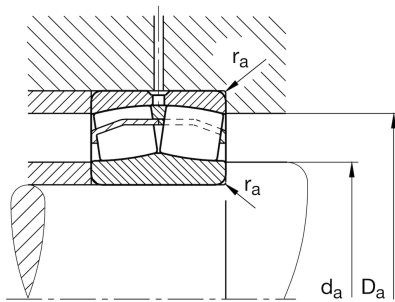
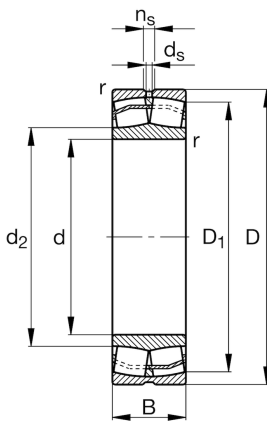
**21313-E1-XL>A**

## Spherical Roller Bearing

Spherical roller bearings 213...-E1, main dimensions to DIN 635-2

## Technical information

**Main Dimensions & Performance Data**

d	65 mm	Bore diameter
D	140 mm	Outside diameter
B	33 mm	Width
$C_r$	250.000 N	Basic dynamic load rating, radial
$C_{0r}$	270.000 N	Basic static load rating, radial
$C_{ur}$	34.500 N	Fatigue load limit, radial
$n_G$	6.200 1/min	Limiting speed
$n_{gr}$	3.600 1/min	Reference speed
$\approx m$	2,501 kg	Weight

**Mounting dimensions**

$d_{a \min}$	77 mm	Minimum diameter shaft shoulder
$D_{a \max}$	128 mm	Maximum diameter of housing shoulder
$r_{a \max}$	2,1 mm	Maximum recess radius

**Dimensions**

$r_{\min}$	2,1 mm	Minimum chamfer dimension
$D_1$	126,8 mm	Bore diameter outer ring
$d_2$	94,9 mm	Raceway diameter of the inner ring
$d_s$	3,2 mm	Diameter lubrication hole
$n_s$	6,5 mm	Width of lubricating groove

**Temperature range**

$T_{\min}$	-30 °C	Operating temperature min.
$T_{\max}$	200 °C	Operating temperature max.



[View product details on medias](#)

10.10.2024, 14:05:55 EEST

**SCHAEFFLER**

### Calculation factors

e	0,22	Limiting value of Fa/Fr for the applicability of diff. Values of factors X and Y
Y <sub>1</sub>	3,14	Dynamic axial load factor
Y <sub>2</sub>	4,67	Dynamic axial load factor
Y <sub>0</sub>	3,07	Static axial load factor