

Fluid control valve(2/2way)

2WA Series (Direct-acting and normally closed)



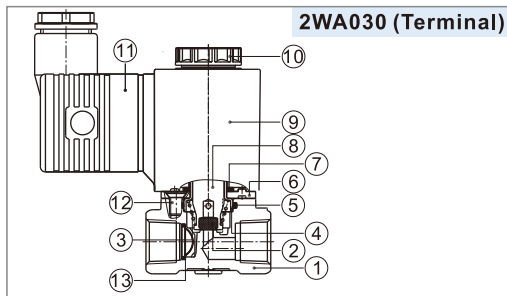
Symbol



Product feature

1. Direct acting and normally closed type 2/2 way fluid valve. Its high sensibility allows it to change direction quickly;
2. It has wide pressure range, including extra high pressure (X), high pressure (H), standard , large volume(L) and extra large volume (T);
3. It is compact, small size and light weight. Easy to install and dismantle.
4. The valve body is made of brass .Its coil has a Heat resistance classification of Class F. The standard seal material is FPM-F. Please contact us if other seal material are required.
5. The protection class of the coil is IP65 and there is a choice for grommet or terminal electrical entry .

Inner structure



No.	Item	No.	Item
1	Body	8	Movable core
2	Airtight ring	9	Coil assembly
3	Spring	10	Coil nut
4	Steel bushing	11	Connector
5	O-ring	12	Screw
6	Fixed plate	13	Filter [Note]
7	O-ring		

[Note] Extra large volume type has no filter element.

Ordering code

Ordering code of valves

2WA L 030 08 A □ □

① ② ③ ④ ⑤ ⑥ ⑦

① Model	② Pressure condition	③ Size series	④ Port size	⑤ Voltage	⑥ Electrical entry	⑦ Thread type
2WA: 2/2 way direct-acting and normally closed	X: Extra high pressure H: High pressure Blank: Standard L: Large volume T: Extra large volume	030: 030 Series	06: 1/8" 08: 1/4"	A: AC220V B: DC24V C: AC110V E: AC24V F: DC12V	Blank: Terminal I: Grommet[Note]	Blank: PT G: G T: NPT
		050: 050 Series	10: 3/8" 15: 1/2"			

[Note] The wire length is 0.5m.

Ordering code of accessories

F-2WA030 LB

① ② ③

① Accessories code	② Valve type	③ Accessories type
F: Mounting accessories	2WA030: 030 Series valve 2WA050: 050 Series valve	LB: LB Type

Specification

Model/Item	Port size [Note1]	Orifice size (Φmm)	Cv	Valid area or section (mm ²)	Weight [Note2](g)	Max.operating pressure differential		Proof pressure		
						MPa	psi	MPa	psi	
2WAX030	-06	1/8"	1.5	0.10	1.8	245	3.0	450	5.0	750
	-08	1/4"				235				
2WAH030	-06	1/8"	2.0	0.18	3.0	245	2.0	300		
	-08	1/4"				235				
2WA030	-06	1/8"	3.0	0.33	6.0	245	1.0	150		
	-08	1/4"				235				
2WAL030	-06	1/8"	4.0	0.55	10.0	245	0.5	75		
	-08	1/4"				235				
2WAT030	-06	1/8"	6.0	1.10	12.0	245	0.1	15		
	-08	1/4"				235				
2WAX050	-10	3/8"	3.0	0.34	6.1	530	3.0	450		
	-15	1/2"				510				
2WAH050	-10	3/8"	4.0	0.55	10.0	530	2.0	300		
	-15	1/2"				510				
2WA050	-10	3/8"	5.0	0.83	15.0	530	1.0	150		
	-15	1/2"				510				
2WL050	-10	3/8"	7.0	1.40	25.0	530	0.5	75		
	-15	1/2"				510				
2WAT050	-10	3/8"	10.0	2.20	40.0	530	0.1	15		
	-15	1/2"				510				

[Note1] PT thread, G thread, and NPT thread are available.

[Note2] The weight in the table is the terminal valve's weight, 2WA030 series grommet valve's weight is 10g less than terminal's. 2WA050series grommet valve's weight is 20g less than terminal's.

Specification of coil

Valve type	Coil type	Power type	Frequency (Hz)	Voltage range	Electrical entry	Power Consumption (VA/W)	Insulation	Temp. rise(°C)
2WA□030	CDA110 CLA110	AC	50	± 15%	Terminal (CDA) Grommet (CLA)	10.0VA	Class F	35
			60			8.0VA		30
		DC	-	± 10%		6.5W		30
2WA□050	CDA160 CLA160	AC	50	± 15%		25.0VA		60
			60			22.0VA		55
		DC	-	± 10%		12.0W		40

Valve's specification

Acting	Direct acting				
	Initial state	Normally closed			
Adaptable fluid	Air, Water, Oil				
Viscosity limit	Under 20CST				
Ambient and fluid temperature (°C)	Max.	80	90	80	70
	Min.	1	-20 [Note1]	-10 [Note2]	-20

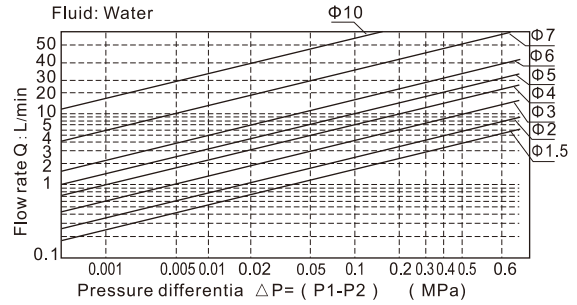
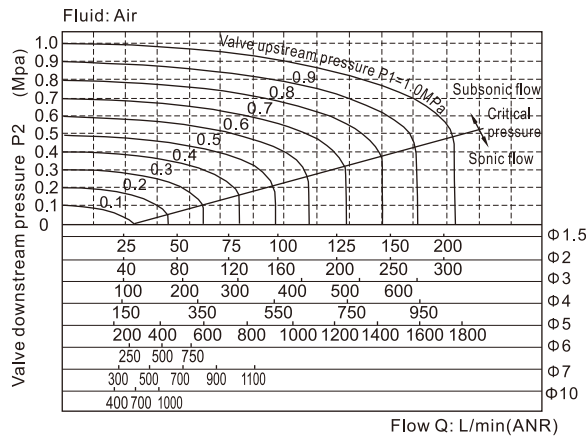
[Note1] Dew point: -20(°C) or less ;

[Note2] 50CST or less.

Fluid control valve(2/2way)

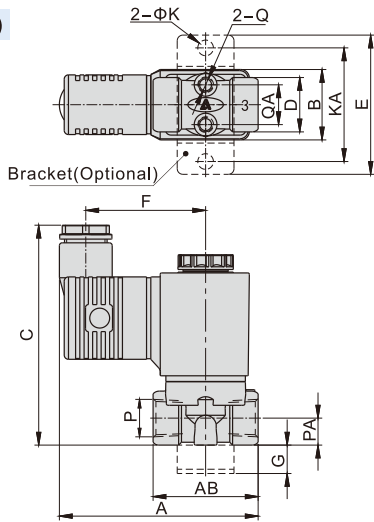
2WA Series (Direct-acting and normally closed)

Flow chart

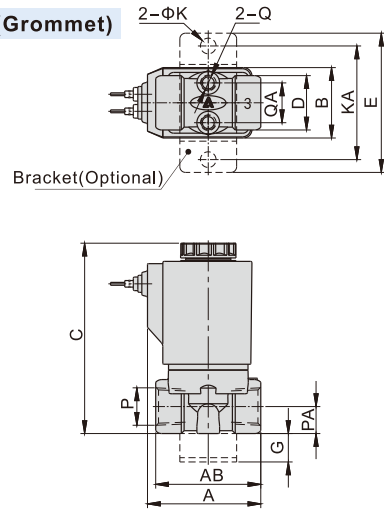


Dimensions

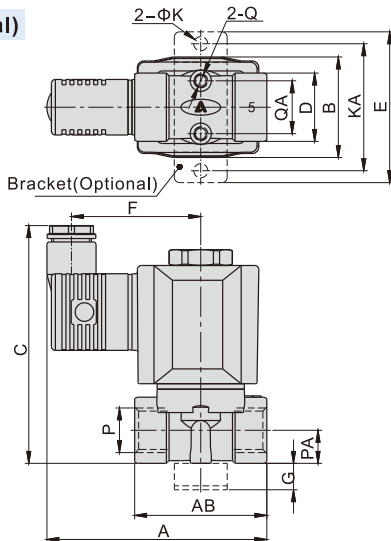
2WA□030 (Terminal)



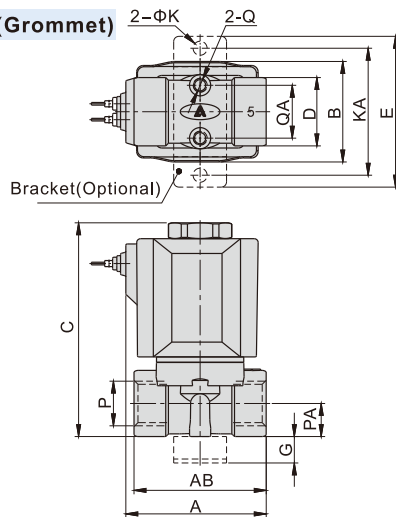
2WA□030 (Grommet)



2WA□050 (Terminal)



2WA□050 (Grommet)



Model\Item	A	AB	B	C	D	E	F	G	K	KA	P	PA	Q	QA
2WA□030-06	70	37	25	77.5	19	49	42	10	5.5	40	1/8"	9.5	M5	13.5
2WAT□030-06	71.5	39.5	25	77.5	19	49	42	10	5.5	40	1/8"	9.5	M5	13.5
2WA□030-08	70	37	25	77.5	19	49	42	10	5.5	40	1/4"	9.5	M5	13.5
2WAT□030-08	71.5	39.5	25	77.5	19	49	42	10	5.5	40	1/4"	9.5	M5	13.5
2WA□050-10	83	50	38	90	26	57	49	10	5.5	48	3/8"	12.5	M5	19.5
2WAT□050-10	84	51	38	93	26	57	49	10	5.5	48	3/8"	12.5	M5	19.5
2WA□050-15	83	50	38	90	26	57	49	10	5.5	48	1/2"	12.5	M5	19.5
2WAT□050-15	84	51	38	93	26	57	49	10	5.5	48	1/2"	12.5	M5	19.5

Model\Item	A	AB	B	C	D	E	G	K	KA	P	PA	Q	QA
2WA□030-06	40	37	25	67	19	49	10	5.5	40	1/8"	9.5	M5	13.5
2WAT□030-06	41.5	39.5	25	67	19	49	10	5.5	40	1/8"	9.5	M5	13.5
2WA□030-08	40	37	25	67	19	49	10	5.5	40	1/4"	9.5	M5	13.5
2WAT□030-08	41.5	39.5	25	67	19	49	10	5.5	40	1/4"	9.5	M5	13.5
2WA□050-10	53	50	38	81	26	57	10	5.5	48	3/8"	12.5	M5	19.5
2WAT□050-10	54	51	38	84	26	57	10	5.5	48	3/8"	12.5	M5	19.5
2WA□050-15	53	50	38	81	26	57	10	5.5	48	1/2"	12.5	M5	19.5
2WAT□050-15	54	51	38	84	26	57	10	5.5	48	1/2"	12.5	M5	19.5