

## Technical data sheet

### Y distribution box

Part no.: 50135996

YV U-SDD-25-83-83-X04

#### Contents

- Technical data
- Dimensioned drawings
- Electrical connection
- Accessories



For illustration purposes only



## Technical data

### Connection

Number of connections	3 Piece(s)
<b>Connection 1</b>	
Type of connection	Connector
Thread size	M8
Type	Female
No. of pins	3 -pin
Encoding	A-coded
Version	Axial
<b>Connection 2</b>	
Type of connection	Connector
Thread size	M8
Type	Female
No. of pins	3 -pin
Encoding	A-coded
Version	Axial
<b>Connection 3</b>	
Type of connection	Connector
Thread size	M12
Type	Male
No. of pins	5 -pin
Encoding	A-coded
Version	Axial
<b>Cable properties</b>	
Shielded	No

### Mechanical data

Design	Cubic
Dimension (W x H x L)	33.5 mm x 15.8 mm x 40.4 mm
Width across flats	13 mm
Material	PUR

### Environmental data

Ambient temperature, operation	-25 ... 85 °C
--------------------------------	---------------

### Certifications

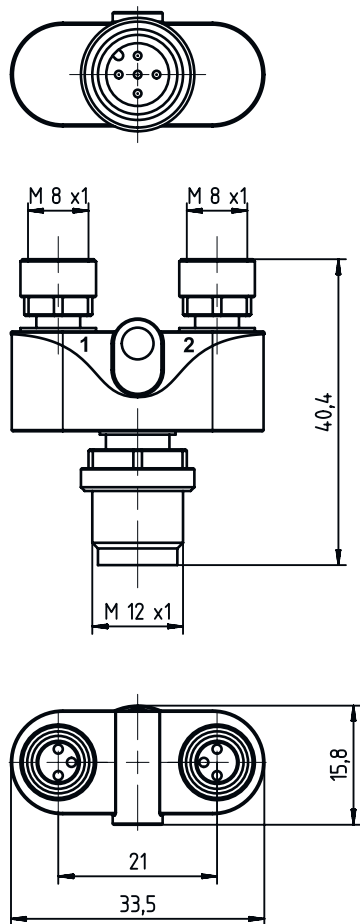
Degree of protection	IP 67
----------------------	-------

### Classification

Customs tariff number	85366990
ECLASS 5.1.4	27279201
ECLASS 8.0	27440104
ECLASS 9.0	27069190
ECLASS 10.0	27440111
ECLASS 11.0	27440111
ECLASS 12.0	27440111
ECLASS 13.0	27440111
ECLASS 14.0	27440111
ETIM 5.0	EC002498
ETIM 6.0	EC002925
ETIM 7.0	EC002925
ETIM 8.0	EC003558
ETIM 9.0	EC003558

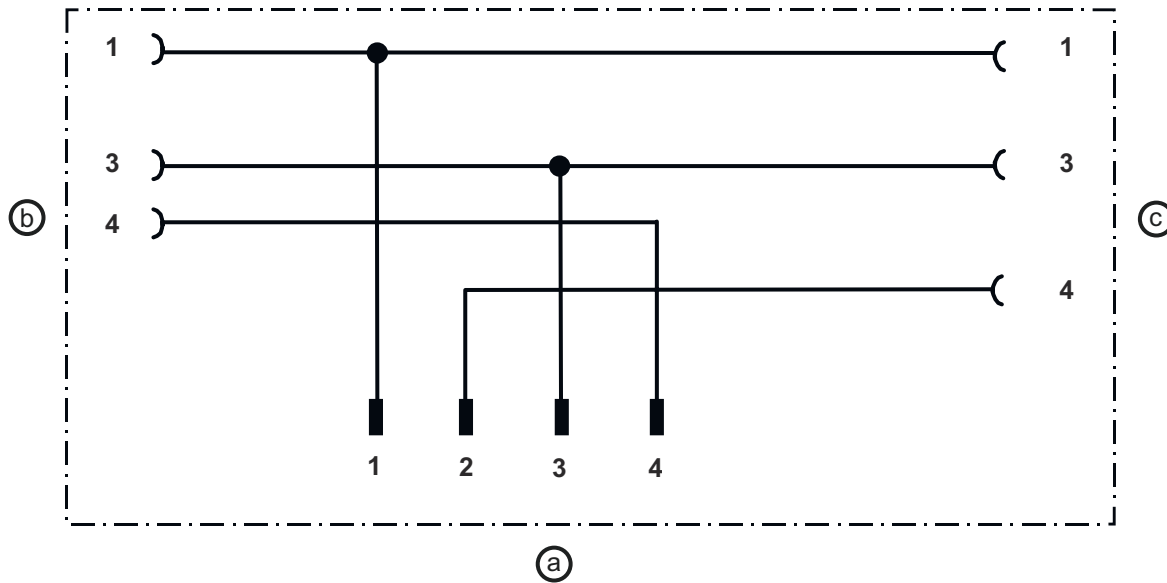
## Dimensioned drawings

All dimensions in millimeters



# Dimensioned drawings

## Circuit diagram



- a Connection 3, M12 connector
- b Connection 1, M8 socket
- c Connection 2, M8 socket

## Electrical connection

### Connection 1

Type of connection	Connector
Thread size	M8
Type	Female
No. of pins	3 -pin
Encoding	A-coded
Version	Axial

### Connection 2


Type of connection	Connector
Thread size	M8
Type	Female
No. of pins	3 -pin
Encoding	A-coded
Version	Axial


### Connection 3

Type of connection	Connector
Thread size	M12
Type	Male
No. of pins	5 -pin
Encoding	A-coded
Version	Axial

## Accessories

### General

	Part no.	Designation	Article	Description
	50132266	TT-Set 0,6-13	Tool	Type: Torque key Width across flats: 13 mm Torque: 0.6 N·m Material: Plastic, Stainless steel Ambient temperature: -40 ... 120 °C

Note	
	A list with all available accessories can be found on the Leuze website in the Download tab of the article detailed page.