



Mounted Ball Bearing Units

No matter your industry
No matter your application
Need a specific mounted bearing
Need exact specifications
Need it fast

**We
Do
That**





Fully self-aligning



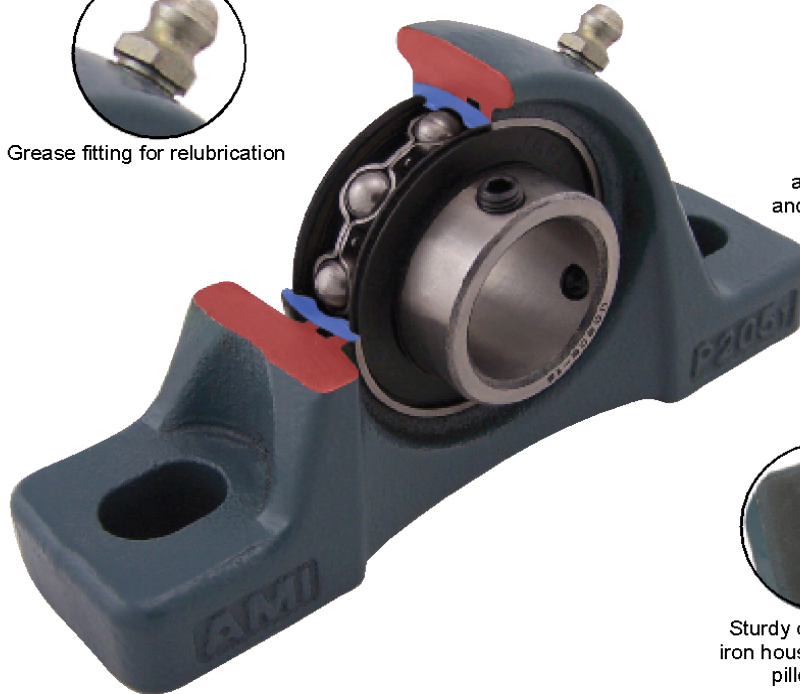
Grease fitting for relubrication



Set-screw mount shown (also available with adapter sleeves, eccentric and concentric locking collars)



Single row deep groove ball bearing with riveted steel cage standard



Sturdy one piece cast iron housing, solid base pillow blocks

These consist of single row deep groove ball bearings; using world renowned **ASAHI**[®] brand quality bearings manufactured by Asahi Seiko Co., Ltd., Japan, and cast iron, malleable or ductile cast iron, pressed steel, stainless steel or thermoplastic housings of various configurations.

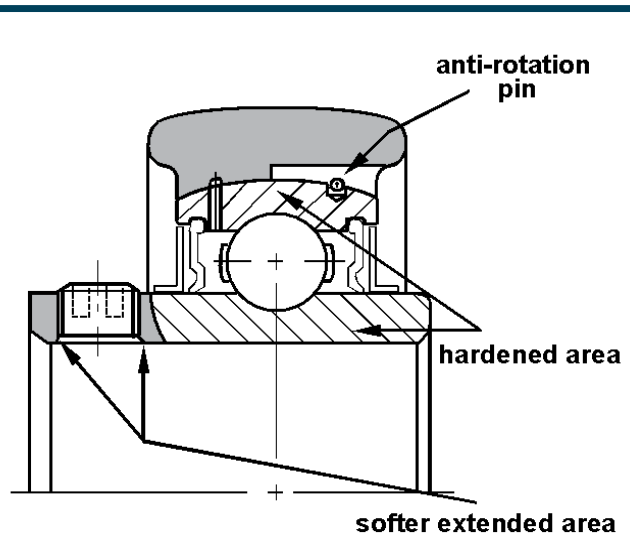
The self-contained bearing features a spherical ground outside diameter bearing that is assembled into a corresponding spherical housing seat, providing full self-alignment of the bearing unit.

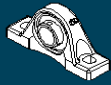
A set-screw locking mechanism is shown in the bearing cutaway above; this is the most popular method of locking the bearing insert onto a shaft. Bearings with adapter sleeves, eccentric and concentric locking collars are also available.

For set-screw locking types, the inner ring of the self-contained bearing is hardened in the raceway and surrounding areas, where hardening is necessary, while the extended part where the set-screws are located is left metallurgically softer and slightly more flexible. This special heat treatment method ensures maximum bearing performance, while preventing the set-screws from loosening during operation, because the set-screws can be tightened as needed without causing destructive inner ring cracking.

ASAHI[®] is a registered trademark of Asahi Seiko Co., Ltd., Japan; Accu-Loc[®] is a registered trademark of AMI Bearings, Inc.; Browning is a registered trademark of Emerson Power Transmission Manufacturing L.P.; Dodge is a registered trademark of Baldor Electric Company; Fafnir is a registered trademark of The Timken Company; FYH is a registered trademark of Nippon Pillow Block MFG. Co.; Hub City is a registered trademark of Regal Beloit Corp.; IPTCI is a registered trademark of a Paul E. Robey Company; Link-Belt is a registered trademark of Rexnord Corporation; MB is a registered trademark of Rexnord Corporation; MRC/SKF is a registered trademark of SKF USA Inc.; NTN is a registered trademark of NTN Corporation of Japan; SealMaster is a registered trademark of Emerson Power Transmission Manufacturing L.P.

NOTE: Every effort has been put forth to ensure the accuracy of this catalog, but AMI Bearings, Inc. does not assume responsibility for any errors.



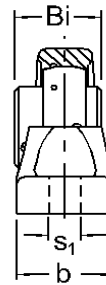
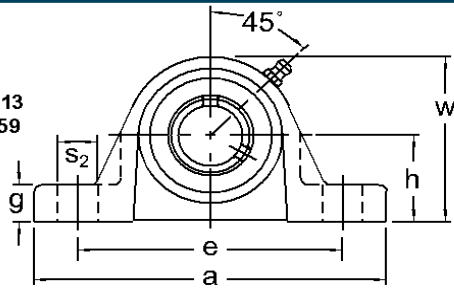


PILLOW BLOCKS

UCP 200

NORMAL DUTY

**Set-Screw Locking
Wide Inner Ring
Cast Iron Housing
Insert Detail-pg.112-113
Covers Available-pg.59
Inch and Metric**



Shaft Diam. (in.)	AMI Unit #	List Price	Dimensions (in.)										Bolt Size (in.)	Bearing #	Housing #	Weight (lb.)
			h	a	e		b	s1	s2	g	w	Bi				
					Min.	Max.										
1/2	UCP201-8	44.50	1-3/16	5	3-3/8	4-1/8	1-1/2	1/2	3/4	19/32	2-7/16	1.220	3/8	UC201-8	P203T	1.43
5/8	UCP202-10															1.39
11/16	UCP203-11															1.37
3/4	UCP204-12	44.50	1-5/16	5	3-3/8	4-1/8	1-1/2	1/2	3/4	19/32	2-9/16	1.220	3/8	UC204-11	P204T	1.43
7/8	UCP205-14	49.00	1-7/16	5-1/2	3-3/4	4-1/2	1-1/2	1/2	3/4	5/8	2-3/4	1.339	3/8	UC205-14	P205T	1.74
15/16	UCP205-15	49.00														
1	UCP205-16	46.65														
1-1/16	UCP206-17	64.95	1-11/16	6-1/2	4-7/16	5-1/16	1-7/8	21/32	13/16	23/32	3-9/32	1.500	1/2	UC206-17	P206T	2.87
1-1/8	UCP206-18															
1-3/16	UCP206-19															
1-1/4	UCP206-20															
1-1/4	UCP207-20	75.45	1-7/8	6-9/16	4-11/16	5-5/16	1-7/8	21/32	13/16	3/4	3-11/16	1.689	1/2	UC207-20	P207T	3.53
1-5/16	UCP207-21															
1-3/8	UCP207-22															
1-7/16	UCP207-23															
1-1/2	UCP208-24	89.40	1-15/16	7-1/4	4-7/8	5-7/8	2-1/8	21/32	1	3/4	3-15/16	1.937	1/2	UC208-24	P208T	4.41
1-9/16	UCP208-25															
1-1/2	UCP209-24	99.60	2-1/8	7-1/2	5-3/8	6-1/8	2-1/8	21/32	7/8	25/32	4-1/4	1.937	1/2	UCX08-24	P209T	5.07
1-5/8	UCP209-26															5.35
1-11/16	UCP209-27															5.35
1-3/4	UCP209-28															5.35
1-7/8	UCP210-30	118.35	2-1/4	8-1/8	5-7/8	6-5/8	2-3/8	25/32	1	7/8	4-1/2	2.031	5/8	UC210-30	P210T	5.95
1-15/16	UCP210-31															
2	UCP210-32															
2	UCP211-32	146.85	2-1/2	8-5/8	6-3/8	7-1/8	2-3/8	25/32	1	7/8	4-31/32	2.189	5/8	UC211-32	P211T	7.27
2-1/8	UCP211-34															
2-3/16	UCP211-35															
2-1/4	UCP212-36	189.85	2-3/4	9-1/2	6-7/8	7-5/8	2-3/4	25/32	1	1	5-7/16	2.563	5/8	UC212-36	P212T	10.36
2-3/8	UCP212-38															
2-7/16	UCP212-39															
2-1/2	UCP213-40	244.60	3	10-7/16	7-19/32	8-13/32	2-3/4	1	1-5/32	1-1/16	5-29/32	2.563	3/4	UC213-40	P213T	12.34
2-11/16	UCP214-43	294.40	3-1/8	10-1/2	7-25/32	8-23/32	2-13/16	1	1-7/32	1-1/16	6-5/32	2.937	3/4	UC214-43	P214T	16.09
2-3/4	UCP214-44															
2-15/16	UCP215-47	399.10	3-1/4	10-13/16	8-1/32	8-31/32	2-15/16	1	1-7/32	1-3/32	6-13/32	3.063	3/4	UC215-47	P215T	17.41
3	UCP215-48															
3-1/4	UCP217-52	595.50	3-3/4	12-3/16	9-9/32	10-7/32	3-1/4	1	1-7/32	1-1/4	7-3/8	3.374	3/4	UC217-52	P217	26.89
3-7/16	UCP217-55															
3-1/2	UCP218-56	717.10	4	12-7/8	9-13/16	10-11/16	3-1/2	1-1/16	1-5/16	1-11/32	7-7/8	3.780	7/8	UC218-56	P218	32.40
Dimensions (mm)																
12	UCP201	44.50	30.2	127	86	105	38	13	19	15	62	31	M10	UC201	P203T	1.45
15	UCP202													UC202		1.40
17	UCP203													UC203		1.38
20	UCP204	44.50	33.3	127	86	105	38	13	19	15	65	31	M10	UC204	P204T	1.45
25	UCP205	49.00	36.5	140	95	114	38	13	19	16	70	34	M10	UC205	P205T	1.76
30	UCP206	64.95	42.9	165	113	129	48	17	21	18	83	38.1	M14	UC206	P206T	2.90
35	UCP207	75.45	47.6	167	119	135	48	17	21	19	94	42.9		UC207	P207T	3.57
40	UCP208	89.40	49.2	184	124	149	54	17	25	19	100	49.2	M14	UC208	P208T	4.46
45	UCP209	99.60	54	190	137	156	54	17	22	20	108	49.2		UC209	P209T	5.13
50	UCP210	118.35	57.2	206	149	168	60	20	25	22	114	51.6		UC210	P210T	6.02
55	UCP211	146.85	63.5	219	162	181	60	20	25	22	126	55.6	M16	UC211	P211T	7.36
60	UCP212	189.85	69.8	241	175	194	70	20	25	25	138	65.1		UC212	P212T	10.5
65	UCP213	244.60	76.2	265	193	214	70	25	29	27	150	65.1		UC213	P213T	12.5
70	UCP214	294.40	79.4	266	198	222	72	25	31	27	156	74.6	M20	UC214	P214T	16.3
75	UCP215	399.10	82.6	275	204	228	74	25	31	28	163	77.8		UC215	P215T	17.6
80	UCP216	552.10	88.9	292	220	244	78	25	31	30	175	82.6	M20	UC216	P216	22.3
85	UCP217	595.50	95.2	310	236	260	83	25	31	32	187	85.7	M20	UC217	P217	27.2
90	UCP218	717.10	101.6	327	249	272	86	27	33	34	200	96	M22	UC218	P218	32.8

Lubrication fitting tap size for 1" and smaller shaft sizes, 1/4-28 UNF; for all other sizes, 1/8-27 NPT

INTERCHANGES: VPS-2 P2B-SC YAS P3U-N SY-TF UCP NP

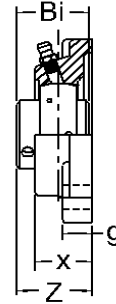
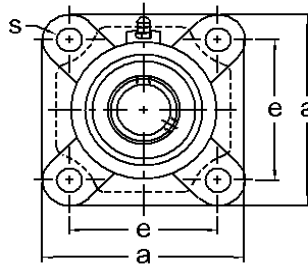
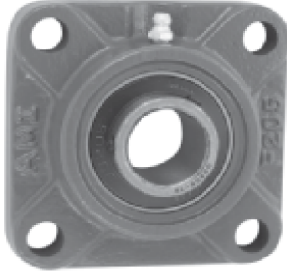


UCLF / UCF 200

FOUR-BOLT FLANGE UNITS



NORMAL DUTY



**Set-Screw Locking
Wide Inner Ring
Cast Iron Housing
Insert Detail-pg.112-113
Covers Available-pg.59
Inch and Metric**

Shaft Diam. (in.)	AMI Unit #	List Price	Dimensions (in.)							Bolt Size (in.)	Bearing #	Housing #	Weight (lb.)
			a	e	g	x	s	Z	Bi				
1/2	UCLF201-8	44.50	3	2-1/8	3/8	1-3/32	13/32	1.287	1.024	3/8	UCW201-8	LF3	1.15
9/16	UCLF202-9										UCW202-9		1.12
5/8	UCLF202-10										UCW202-10		1.12
11/16	UCLF203-11	44.50	3	2-1/8	3/8	1-3/32	13/32	1.287	1.024	3/8	UCW203-11	LF3	1.10
1/2	UCF201-8										UC201-8		1.41
5/8	UCF202-10										UC202-10		1.37
11/16	UCF203-11										UC203-11		1.34
3/4	UCF204-12	UC204-12	1.30										
7/8	UCF205-14	49.00	3-3/4	2-3/4	9/16	1-1/16	15/32	1.406	1.339	7/16	UC205-14	F205	1.81
15/16	UCF205-15										UC205-15		
1	UCF205-16										UC205-16		
1-1/16	UCF206-17	64.95	4-1/4	3-1/4	9/16	1-7/32	15/32	1.583	1.500	7/16	UC206-17	F206	2.42
1-1/8	UCF206-18										UC206-18		
1-3/16	UCF206-19										UC206-19		
1-1/4	UCF206-20										UC206-20		
1-1/4	UCF207-20	75.45	4-5/8	3-5/8	5/8	1-11/32	17/32	1.748	1.689	1/2	UC207-20	F207	3.31
1-5/16	UCF207-21										UC207-21		
1-3/8	UCF207-22										UC207-22		
1-7/16	UCF207-23										UC207-23		
1-1/2	UCF208-24	89.40	5-1/8	4	5/8	1-13/32	17/32	2.016	1.937	1/2	UC208-24	F208	4.41
1-9/16	UCF208-25										UC208-25		
1-5/8	UCF209-26	99.60	5-3/8	4-1/8	23/32	1-1/2	19/32	2.055	1.937	9/16	UC209-26	F209	5.29
1-11/16	UCF209-27										UC209-27		
1-3/4	UCF209-28										UC209-28		
1-7/8	UCF210-30	118.35	5-5/8	4-3/8	23/32	1-9/16	19/32	2.150	2.031	9/16	UC210-30	F210	5.51
1-15/16	UCF210-31										UC210-31		
2	UCF210-32										UC210-32		
2	UCF211-32	146.85	6-3/8	5-1/8	25/32	1-11/16	21/32	2.299	2.189	5/8	UC211-32	F211	7.49
2-1/8	UCF211-34										UC211-34		
2-3/16	UCF211-35										UC211-35		
2-1/4	UCF212-36	189.85	6-7/8	5-5/8	25/32	1-7/8	21/32	2.705	2.563	5/8	UC212-36	F212	10.14
2-3/8	UCF212-38										UC212-38		
2-7/16	UCF212-39										UC212-39		
2-1/2	UCF213-40	244.60	7-3/8	5-7/8	25/32	1-31/32	21/32	2.744	2.563	5/8	UC213-40	F213	12.12
2-11/16	UCF214-43	294.40	7-3/8	5-7/8	13/16	2-5/16	21/32	3.087	2.937	5/8	UC214-43	F214	13.44
2-3/4	UCF214-44										UC214-44		
2-15/16	UCF215-47	399.10	7-3/4	6	15/16	2-3/8	25/32	3.209	3.063	3/4	UC215-47	FX14	15.21
3	UCF215-48										UC215-48		
3-1/4	UCF217-52	595.50	8-11/16	6-7/8	1-1/32	2-15/32	29/32	3.449	3.374	7/8	UC217-52	F217	20.50
3-7/16	UCF217-55										UC217-55		
3-1/2	UCF218-56										UC218-56		
Dimensions (mm)													
12	UCLF201	44.50	76	54	9.5	28	10.5	32.7	26	M8	UCW201	LF3	1.15
15	UCLF202										UCW202		1.12
17	UCLF203										UCW203		1.10
12	UCF201	44.50	86	64	12	25.4	11	33.3	31	M10	UC201	F204	1.43
15	UCF202										UC202		1.38
17	UCF203										UC203		1.36
20	UCF204	44.50	86	64	12	25.4	11	33.3	31	M10	UC204	F204	1.32
25	UCF205	49.00	95	70	14	27	12	35.7	34	M10	UC205	F205	1.83
30	UCF206	64.95	108	83	14	31	12	40.2	38.1	M10	UC206	F206	2.45
35	UCF207	75.45	117	92	16	34	13.5	44.4	42.9	M12	UC207	F207	3.35
40	UCF208	89.40	130	102	16	36	13.5	51.2	49.2	M12	UC208	F208	4.46
45	UCF209	99.60	137	105	18	38	15	52.2	49.2	M14	UC209	F209	5.35
50	UCF210	118.35	143	111	18	40	15	54.6	51.6	M14	UC210	F210	5.58
55	UCF211	146.85	162	130	20	43	17	58.4	55.6	M16	UC211	F211	7.58
60	UCF212	189.85	175	143	20	48	17	64.7	65.1	M16	UC212	F212	10.3
65	UCF213	244.60	187	149	20	50	17	69.7	65.1	M16	UC213	F213	12.3
70	UCF214	294.40	193	152	24	54	19	75.4	74.6	M16	UC214	F214	13.6
75	UCF215	399.10	200	159	24	56	19	78.5	77.8	M16	UC215	F215	15.4
80	UCF216	552.10	208	165	24	58	23	83.3	82.6	M20	UC216	F216	17.4
85	UCF217	595.50	220	175	26	63	23	87.6	85.7	M20	UC217	F217	20.8
90	UCF218	717.10	235	187	26	68	23	96.3	96	M20	UC218	F218	25.2

Lubrication fitting tap size for 1" and smaller shaft sizes, 1/4-28 UNF; for all other sizes, 1/8-27 NPT

INTERCHANGES: VF4S F4B-SC YCJ F3U-N FC4-25 FY-TF UCF SF



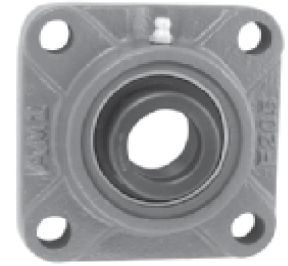
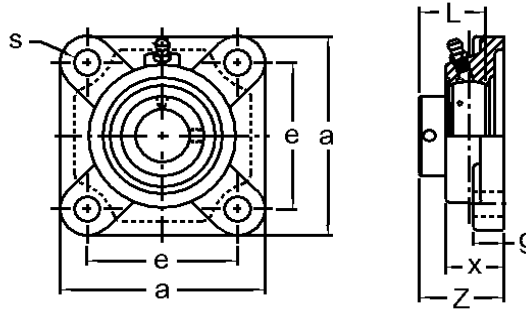


FOUR-BOLT FLANGE UNITS

KHLF / KHF 200

NORMAL DUTY

**Eccentric Locking
Narrow Inner Ring
Cast Iron Housing
Insert Detail-pg.112-113
Covers Available-pg.60
Inch and Metric**



Hub City® Style

Shaft Diam. (in.)	AMI Unit #	List Price	Dimensions (in.)							Bolt Size (in.)	Bearing #	Housing #	Weight (lb.)
			a	e	g	x	s	Z	L				
1/2	KHLF201-8	43.20	3	2-1/8	3/8	1-3/32	13/32	1.528	1-1/8	3/8	KH201-8	LF3	1.15
5/8	KHLF202-10										KH202-10		1.12
3/4	KHF204-12	43.20	3-3/8	2-1/2	15/32	1	7/16	1.516	1-7/32	3/8	KH204-12	F204	1.30
7/8	KHF205-14	47.10	3-3/4	2-3/4	9/16	1-1/16	15/32	1.555	1-7/32	7/16	KH205-14	F205	1.83
15/16	KHF205-15										KH205-15		
1	KHF205-16										KH205-16		
1-1/8	KHF206-18	66.45	4-1/4	3-1/4	9/16	1-7/32	15/32	1.760	1-13/32	7/16	KH206-18	F206	2.42
1-3/16	KHF206-19										KH206-19		
1-1/4	KHF206-20										KH206-20		
1-1/4	KHF207-20	80.00	4-5/8	3-5/8	5/8	1-11/32	17/32	1.906	1-17/32	1/2	KH207-20	F207	3.33
1-5/16	KHF207-21										KH207-21		
1-3/8	KHF207-22										KH207-22		
1-7/16	KHF207-23										KH207-23		
1-1/2	KHF208-24										KH208-24		
1-5/8	KHF209-26	103.65	5-3/8	4-1/8	23/32	1-1/2	19/32	2.154	1-23/32	9/16	KH209-26	F209	5.24
1-11/16	KHF209-27										KH209-27		
1-3/4	KHF209-28										KH209-28		
1-7/8	KHF210-30	119.40	5-5/8	4-3/8	23/32	1-9/16	19/32	2.154	1-23/32	9/16	KH210-30	F210	5.44
1-15/16	KHF210-31										KH210-31		
2	KHF211-32	160.10	6-3/8	5-1/8	25/32	1-11/16	21/32	2.429	1-29/32	5/8	KH211-32	F211	7.29
2-1/8	KHF211-34										KH211-34		
2-3/16	KHF211-35										KH211-35		
Dimensions (mm)													
12	KHLF201	43.20	76.2	54.0	9.5	27.8	10.3	38.8	28.6	M8	KH201	LF3	1.16
15	KHLF202										KH202		1.12
17	KHLF203										KH203		1.10
20	KHF204	43.20	86	64	12	25.4	11	38.5	31	M10	KH204	F204	1.30
25	KHF205	47.10	95	70	14	27	12	39.5	31		KH205	F205	1.83
30	KHF206	66.45	108	83	14	31	12	44.7	35.7		KH206	F206	2.42
35	KHF207	80.00	117	92	16	34	13.5	48.4	38.9	M12	KH207	F207	3.33
40	KHF208	91.20	130	102	16	36	13.5	53.7	43.7	M12	KH208	F208	4.41
45	KHF209	103.65	137	105	18	38	15	54.7	43.7	M14	KH209	F209	5.24
50	KHF210	119.40	143	111	18	40	15	54.7	43.7	M14	KH210	F210	5.44
55	KHF211	160.10	162	130	20	43	17	61.7	48.7	M16	KH211	F211	7.29

Lubrication fitting tap size for 1" and smaller shaft sizes, 1/4-28 UNF; for all other sizes, 1/8-27 NPT

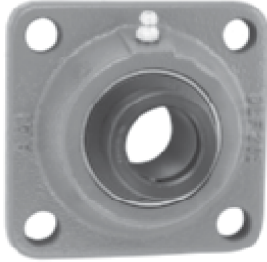
INTERCHANGES: VF4E-1 F4B-SXV VCJ F3W-U FY-FM AELF VF-E FB220

UGSLF 200

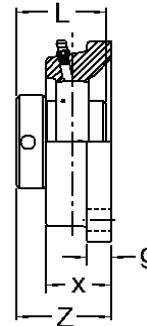
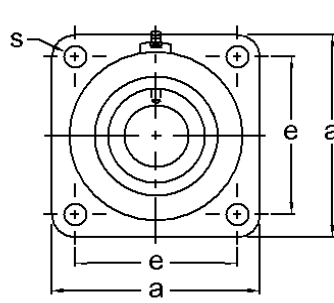
FOUR-BOLT FLANGE UNITS



NORMAL DUTY



Fafnir® Style



**Eccentric Locking
Wide Inner Ring
Cast Iron Housing
Insert Detail-pg.115
Inch and Metric**

Shaft Diam. (in.)	AMI Unit #	List Price	Dimensions (in.)							Bolt Size (in.)	Bearing #	Housing #	Weight (lb.)
			a	e	g	x	s	Z	L				
1/2	UGSLF201-8	54.80	3	2-1/8	3/8	1-3/32	29/64	1-37/64	1-15/32	3/8	UGW201-8	SLF203	1.21
5/8	UGSLF202-10										UGW202-10		
3/4	UGSLF204-12	54.80	3-3/8	2-1/2	3/8	1-5/16	29/64	1-55/64	1-23/32	3/8	UG204-12	SLF204	1.51
7/8	UGSLF205-14	62.60	3-3/4	2-3/4	7/16	1-3/8	29/64	1-57/64	1-3/4	7/16	UG205-14	SLF205	1.98
15/16	UGSLF205-15										UG205-15		
1	UGSLF205-16										UG205-16		
1-1/8	UGSLF206-18	77.90	4-1/4	3-1/4	1/2	1-15/32	29/64	2-5/64	1-29/32	7/16	UG206-18	SLF206	2.87
1-3/16	UGSLF206-19										UG206-19		
1-1/4	UGSLF206-20										UG206-20		
1-1/4	UGSLF207-20	95.20	4-5/8	3-5/8	1/2	1-1/2	35/64	2-5/32	2-1/64	1/2	UG207-20	SLF207	3.75
1-5/16	UGSLF207-21										UG207-21		
1-3/8	UGSLF207-22										UG207-22		
1-7/16	UGSLF207-23										UG207-23		
1-1/2	UGSLF208-24	107.90	5-1/8	4	5/8	1-5/8	35/64	2-11/32	2-7/32	1/2	UG208-24	SLF208	4.96
1-9/16	*UGSLF208-25										UG208-25		
1-5/8	UGSLF209-26	116.80	5-3/8	4-1/8	5/8	1-21/32	35/64	2-11/32	2-7/32	1/2	UG209-26	SLF209	5.51
1-11/16	UGSLF209-27										UG209-27		
1-3/4	UGSLF209-28										UG209-28		
1-7/8	UGSLF210-30	150.60	5-5/8	4-3/8	5/8	1-13/16	45/64	2-19/32	2-15/32	5/8	UG210-30	SLF210	6.28
1-15/16	UGSLF210-31										UG210-31		
2	UGSLF210-32										UG210-32		
2	UGSLF211-32	197.00	6-3/8	5-1/8	11/16	1-31/32	45/64	2-15/16	2-13/16	5/8	UG211-32	SLF211	8.93
2-1/8	UGSLF211-34										UG211-34		
2-3/16	UGSLF211-35										UG211-35		
2-1/4	UGSLF212-36	244.20	6-7/8	5-5/8	11/16	2-5/32	45/64	3-3/16	3-1/16	5/8	UG212-36	SLF212	11.25
2-3/8	UGSLF212-38										UG212-38		
2-7/16	UGSLF212-39										UG212-39		
Dimensions (mm)													
20	UGSLF204	54.80	86	63.5	9.5	33	11.5	47.3	43.7		UG204	SLF204	1.51
25	UGSLF205	62.60	95	70	11	35	11.5	48.0	44.4	M10	UG205	SLF205	1.98
30	UGSLF206	77.90	108	82.5	13	37	11.5	52.8	48.4		UG206	SLF206	2.87
35	UGSLF207	95.20	117	92	13	38	14	54.8	51.1		UG207	SLF207	3.75
40	UGSLF208	107.90	130	101.5	16	41	14	59.5	56.3	M12	UG208	SLF208	4.96
45	UGSLF209	116.80	137	105	16	42	14	59.5	56.3		UG209	SLF209	5.51
50	UGSLF210	150.60	143	111	16	46	18	65.9	62.7		UG210	SLF210	6.28
55	UGSLF211	197.00	162	130	18	50	18	74.6	71.4	M16	UG211	SLF211	8.93
60	UGSLF212	244.20	175	143	18	55	18	81.0	77.8		UG212	SLF212	11.25

*Consult factory for availability

Lubrication fitting tap size for 1" and smaller shaft sizes, 1/4-28 UNF; for all other sizes, 1/8-27 NPT

INTERCHANGES: VF4E-2 F4B-SXR RCJ NANF FB220W F3Y-N FY-WF UELF RF-E



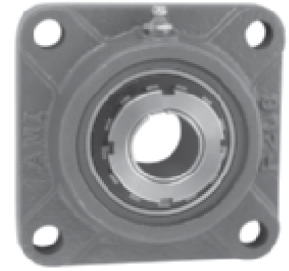
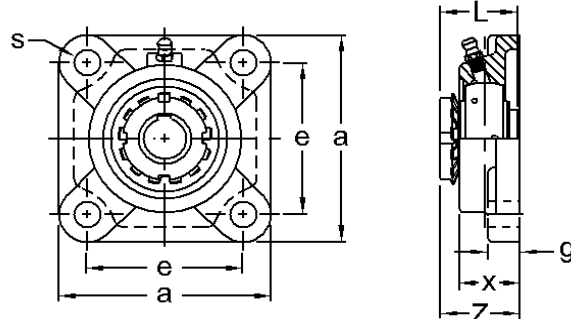


FOUR-BOLT FLANGE UNITS

UKF 200+H

NORMAL DUTY

**Tapered Adapter Sleeve
Wide Inner Ring
Cast Iron Housing
Insert Detail-pg.119
Inch and Metric**



Shaft Diam. (in.)	AMI Unit #	List Price	Dimensions (in.)							Bolt Size (in.)	Bearing #	Housing #	Weight (lb.)
			a	e	g	x	s	Z	L				
3/4 13/16	UKF205+HE2305 UKF205+HA2305	87.10	3-3/4	2-3/4	9/16	1-1/16	15/32	1.398	1.378	7/16	UK205+HE2305 UK205+HA2305	F205	1.94
7/8 15/16 1	UKF206+HS2306 UKF206+HA2306 UKF206+HE2306	106.50	4-1/4	3-1/4	9/16	1-7/32	15/32	1.535	1.496	7/16	UK206+HS2306 UK206+HA2306 UK206+HE2306	F206	2.68
1-1/8 1-3/16	UKF207+HS2307 UKF207+HA2307	121.70	4-5/8	3-5/8	5/8	1-11/32	17/32	1.634	1.693	1/2	UK207+HS2307 UK207+HA2307	F207	3.35
1-1/4 1-5/16 1-3/8	UKF208+HE2308 UKF208+HA2308 UKF208+HS2308	141.60	5-1/8	4	5/8	1-13/32	17/32	1.792	1.811	1/2	UK208+HE2308 UK208+HA2308 UK208+HS2308	F208	4.68
1-7/16 1-1/2 1-5/8	UKF209+HA2309 UKF209+HE2309 UKF209+HS2309	152.40	5-3/8	4-1/8	23/32	1-1/2	19/32	1.890	1.969	9/16	UK209+HA2309 UK209+HE2309 UK209+HS2309	F209	5.58
1-11/16 1-3/4	UKF210+HA2310 UKF210+HE2310	176.90	5-5/8	4-3/8	23/32	1-9/16	19/32	1.949	2.165	9/16	UK210+HA2310 UK210+HE2310	F210	6.02
1-7/8 1-15/16 2	UKF211+HS2311 UKF211+HA2311 UKF211+HE2311	234.50	6-3/8	5-1/8	25/32	1-11/16	21/32	2.106	2.323	5/8	UK211+HS2311 UK211+HA2311 UK211+HE2311	F211	8.03
2-1/16 2-1/8	UKF212+HA2312 UKF212+HS2312	290.00	6-7/8	5-5/8	25/32	1-7/8	21/32	2.362	2.441	5/8	UK212+HA2312 UK212+HS2312	F212	10.3
2-3/16 2-1/4 2-3/8	UKF213+HA2313 UKF213+HE2313 UKF213+HS2313	317.50	7-3/8	5-7/8	25/32	1-1/32	21/32	2.480	2.559	5/8	UK213+HA2313 UK213+HE2313 UK213+HS2313	F213	12.7
2-7/16 2-1/2	UKF215+HA2315 UKF215+HE2315	513.50	7-7/8	6-1/4	15/16	2-7/32	3/4	2.736	2.874	11/16	UK215+HA2315 UK215+HE2315	F215	16.3
2-3/4	UKF216+HE2316	522.80	8-3/16	6-1/2	15/16	2-9/32	29/32	2.874	3.071	7/8	UK216+HE2316	F216	18.3
2-15/16 3	UKF217+HA2317 UKF217+HE2317	629.40	8-11/16	6-7/8	1-1/32	2-15/32	29/32	3.032	3.228	7/8	UK217+HA2317 UK217+HE2317	F217	21.9
3-1/8	UKF218+HS2318	774.80	9-1/4	7-3/8	1-1/32	2-11/16	29/32	3.248	3.386	7/8	UK218+HS2318	F218	26.1
Dimensions (mm)													
20	UKF205+H2305	87.10	95	70	14	27	12	35.5	35	M10	UK205+H2305	F205	1.94
25	UKF206+H2306	106.50	108	83	14	31	12	39	38	M10	UK206+H2306	F206	2.68
30	UKF207+H2307	121.70	117	92	16	34	13.5	41.5	43	M12	UK207+H2307	F207	3.35
35	UKF208+H2308	141.60	130	102	16	36	13.5	45.5	46	M12	UK208+H2308	F208	4.68
40	UKF209+H2309	152.40	137	105	18	38	15	48	50	M14	UK209+H2309	F209	5.58
45	UKF210+H2310	176.90	143	111	18	40	15	49.5	55	M14	UK210+H2310	F210	6.02
50	UKF211+H2311	234.50	162	130	20	43	17	53.5	59	M16	UK211+H2311	F211	8.03
55	UKF212+H2312	290.00	175	143	20	48	17	60	62	M16	UK212+H2312	F212	10.3
60	UKF213+H2313	317.50	187	149	20	50	17	63	65	M16	UK213+H2313	F213	12.7
65	UKF215+H2315	513.50	200	159	24	56	19	69.5	73	M16	UK215+H2315	F215	16.3
70	UKF216+H2316	522.80	208	165	24	58	23	73	78	M20	UK216+H2316	F216	18.3
75	UKF217+H2317	629.40	220	175	26	63	23	77	82	M20	UK217+H2317	F217	21.9
80	UKF218+H2318	774.80	235	187	26	68	23	82.5	86	M20	UK218+H2318	F218	26.1

Lubrication fitting tap size for 1" and smaller shaft sizes, 1/4-28 UNF; for all other sizes, 1/8-27 NPT

INTERCHANGES: UKF

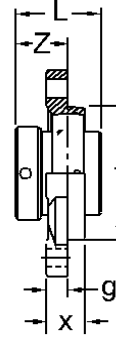
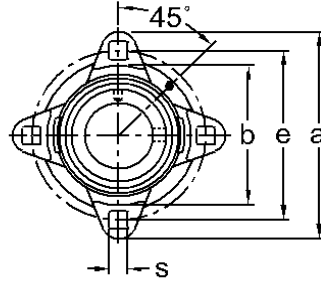


UGGFDR 200

FOUR-BOLT FLANGE UNITS



NORMAL DUTY



**Eccentric Locking
Wide Inner Ring
Malleable Cast Housing
Insert Detail-pg.115
Inch and Metric**

Shaft Diam. (in.)	AMI Unit #	List Price	Dimensions (in.)									Bolt Size (in.)	Bearing #	Housing #	Weight (lb.)
			a	e	g	x	s	b	f	Z	L				
1-1/2 1-9/16	UGGFDR208-24 *UGGFDR208-25	145.00	5-25/32	4-11/16	5/8	1-7/64	0.512	3-55/64	3-17/32	1.378	2-7/32	1/2	UG208-24 UG208-25	GFDR208	3.04
1-5/8 1-11/16 1-3/4	UGGFDR209-26 UGGFDR209-27 UGGFDR209-28	157.10	5-7/8	4-3/4	5/8	1-7/64	0.512	4-7/32	3-25/32	1.378	2-7/32	1/2	UG209-26 UG209-27 UG209-28	GFDR209	3.22
1-7/8 1-15/16 2	UGGFDR210-30 UGGFDR210-31 UGGFDR210-32	191.00	6-7/64	5	5/8	1-7/64	0.512	4-29/64	3-31/32	1.496	2-15/32	1/2	UG210-30 UG210-31 UG210-32	GFDR210	3.68
Dimensions (mm)															
40	UGGFDR208	145.00	147	119	16	28	13	98	89.7	35	56.3	M12	UG208	GFDR208	3.04
45	UGGFDR209	157.10	149	120.5	16	28	13	107	96	35	56.3		UG209	GFDR209	3.22
50	UGGFDR210	191.00	155	127	16	28	13	113	100.8	38	62.7		UG210	GFDR210	3.68

*Consult factory for availability
Lubrication fitting tap size 1/4-28 UNF

INTERCHANGES: GRFD GRFDR



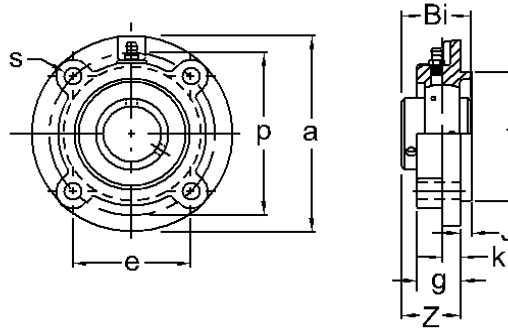


PILOTED FLANGE CARTRIDGE UNITS

UCFC 200

NORMAL DUTY

Set-Screw Locking
Wide Inner Ring
Cast Iron Housing
Insert Detail-pg.113
Covers available-pg.59
Metric



Shaft Diam. (mm)	AMI Unit #	List Price	Dimensions (mm)										Bolt Size (mm)	Bearing #	Housing #	Weight (lb.)
			a	p	e	s	J	K	g	f	Z	BI				
12	UCFC201	65.65	100	78	55.1	12	5	7	20.5	62	28.3	31.0	M10	UC201	FC204	1.98
15	UCFC202													UC202		1.94
17	UCFC203													UC203		1.92
20	UCFC204	65.65	100	78	55.1	12	5	7	20.5	62	28.3	31.0	M10	UC204	FC204	1.87
25	UCFC205	71.00	115	90	63.6	12	6	7	21	70	29.7	34.0		UC205	FC205	2.45
30	UCFC206	92.60	125	100	70.7	12	8	8	23	80	32.2	38.1		UC206	FC206	3.35
35	UCFC207	109.50	135	110	77.8	14	8	9	26	90	36.4	42.9	M12	UC207	FC207	3.79
40	UCFC208	131.25	145	120	84.8	14	10	9	26	100	41.2	49.2	M12	UC208	FC208	4.68
45	UCFC209	145.70	160	132	93.3	16	12	14	26	105	40.2	49.2	M14	UC209	FC209	6.69
50	UCFC210	171.50	165	138	97.6	16	12	14	28	110	42.6	51.6	M14	UC210	FC210	6.91
55	UCFC211	221.60	185	150	106.1	19	12	15	31	125	46.4	55.6	M16	UC211	FC211	8.7
60	UCFC212	297.65	195	160	113.1	19	12	15	36	135	56.7	65.1	M16	UC212	FC212	9.81
65	UCFC213	384.25	205	170	120.2	19	14	15	36	145	55.7	65.1	M16	UC213	FC213	11.8
70	UCFC214	461.40	215	177	125.1	19	14	18	40	150	61.4	74.6		UC214	FC214	15.2
75	UCFC215	511.25	220	184	130.1	19	16	18	40	160	62.5	77.8		UC215	FC215	16.5
80	UCFC216	608.70	240	200	141.4	23	16	18	42	170	67.3	82.6	M20	UC216	FC216	20.5
85	UCFC217	705.50	250	208	147.1	23	18	20	45	180	69.6	85.7		UC217	FC217	23.7
90	UCFC218	892.55	265	220	155.5	23	18	20	50	190	78.3	96.0		UC218	FC218	28.3

Lubrication fitting tap size for 25mm and smaller shaft sizes, 1/4-28 UNF; for all other sizes, 1/8-27 NPT

INTERCHANGES: UCFC

UCFCS 200

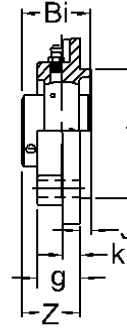
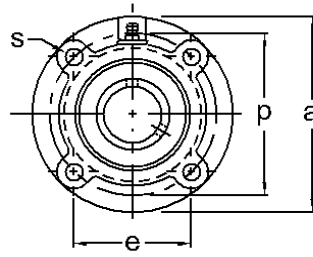
PILOTED FLANGE CARTRIDGE UNITS



NORMAL DUTY



SealMaster® Style



**Set-Screw Locking
Wide Inner Ring
Cast Iron Housing
Insert Detail-pg.112-113
Inch and Metric**

Shaft Diam. (in.)	AMI Unit #	List Price	Dimensions (in.)										Bolt Size (in.)	Bearing #	Housing #	Weight (lb.)
			a	p	e	s	J	k	g	f	Z	Bi				
1-1/16	UCFCS206-17	92.60	4-3/8	3-5/8	2.559	3/8	1/4	23/64	15/16	3.000	1.268	1.500	5/16	UC206-17	FCSX05	2.28
1-1/8	UCFCS206-18													UC206-18		
1-3/16	UCFCS206-19													UC206-19		
1-1/4	UCFCS206-20													UC206-20		
1-1/4	UCFCS207-20	109.50	5	4-1/8	2.921	15/32	3/8	25/64	7/8	3.375	1.315	1.689	3/8	UC207-20	FCSX06	3.14
1-5/16	UCFCS207-21													UC207-21		
1-3/8	UCFCS207-22													UC207-22		
1-7/16	UCFCS207-23													UC207-23		
1-1/2	UCFCS208-24	131.25	5-1/4	4-3/8	3.091	15/32	7/16	7/16	1-1/32	3.625	1.543	1.937	7/16	UC208-24	FCSX07	3.71
1-9/16	UCFCS208-25													UC208-25		
1-5/8	UCFCS209-26	145.70	6-1/8	5-1/8	3.625	17/32	15/32	29/64	7/8	4.250	1.408	1.937	1/2	UC209-26	FCF209	3.82
1-11/16	UCFCS209-27													UC209-27		
1-3/4	UCFCS209-28													UC209-28		
1-7/8	UCFCS210-30													UC210-30		
1-15/16	UCFCS210-31	171.50	6-1/8	5-1/8	3.618	35/64	15/32	7/16	1	4.250	1.598	2.031	1/2	UC210-31	FCSX09	5.20
2	UCFCS210-32													UC210-32		
2-1/8	UCFCS211-32	221.60	6-3/8	5-3/8	3.800	35/64	5/8	7/16	1	4.500	1.591	2.189	1/2	UC211-32	FCSX10	5.99
2-1/8	UCFCS211-34													UC211-34		
2-3/16	UCFCS211-35													UC211-35		
2-1/4	UCFCS212-36													UC212-36		
2-3/8	UCFCS212-38	297.65	7-1/8	6	4.232	5/8	7/8	1/2	1-1/32	5.000	1.720	2.563	1/2	UC212-38	FCSX11	8.23
2-7/16	UCFCS212-39													UC212-39		
2-1/2	UCFCS213-40													UC213-40		
2-1/2	UCFCS213-40	384.20	7-5/8	6-1/2	4.594	5/8	25/32	9/16	1-5/16	5.500	1.996	2.563	1/2	UC213-40	FCSX12	9.57
2-11/16	UCFCS214-43	417.55	7-5/8	6-1/2	4.594	5/8	25/32	9/16	1-5/16	5.500	2.181	2.937	1/2	UC214-43	FCSX13	11.36
2-3/4	UCFCS214-44													UC214-44		
2-15/16	UCFCS215-47	578.50	8-3/4	7-1/2	5.303	3/4	25/32	9/16	1-13/32	6.375	2.303	3.063	5/8	UC215-47	FCSX14	12.40
3	UCFCS215-48													UC215-48		
Dimensions (mm)																
30	UCFCS206	92.60	111	92	65	9.5	6.4	9	24	76.2	32.2	38.1	M8	UC206	FCSX05	2.28
35	UCFCS207	109.50	127	105	74.2	12	9.5	10	22	85.7	33.4	42.9	M10	UC207	FCSX06	3.14
40	UCFCS208	131.25	133	111	78.5	12	11	11	26	92.1	39.2	49.2	M10	UC208	FCSX07	3.71
45	UCFCS209	145.70	155	130	92.1	13.5	12	12	22	108.0	35.8	49.2		UC209	FCF209	3.82
50	UCFCS210	171.50	155	130	91.9	14	12	11	25	108.0	40.6	51.6	M12	UC210	FCSX09	5.20
55	UCFCS211	221.60	162	136.5	96.5	14	15.9	11	25	114.3	40.4	55.6		UC211	FCSX10	5.99
60	UCFCS212	297.65	181	152	107.5	16	22.2	13	26	127.0	43.7	65.1		UC212	FCSX11	8.23
65	UCFCS213	384.25	194	165	116.7	16	19.8	14	33	139.7	50.7	65.1	M14	UC213	FCSX12	9.57
70	UCFCS214	417.55	194	165	116.7	16	19.8	14	33	139.7	55.4	74.6		UC214	FCSX13	11.36
75	UCFCS215	578.50	222	190.5	134.7	19	19.8	14	36	161.9	58.5	77.8	M16	UC215	FCSX14	11.38

Lubrication fitting tap size for 1" and smaller shaft sizes, 1/4-28 UNF; for all other sizes, 1/8-27 NPT

INTERCHANGES: VFCS FC-SC PFC4-25 SFC



JEC Bearings, Inc.

Ph: 800-882-8642 • Fax: 877-759-0660 • Company

www.jamiesonequipment.com

toll free 800.875.0280

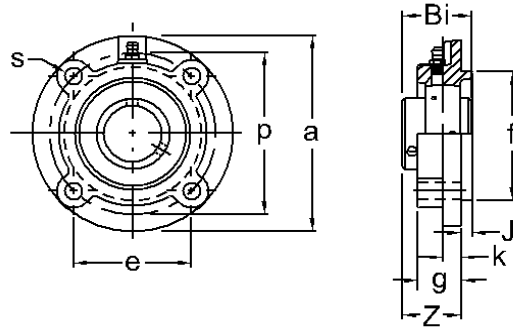


PILOTED FLANGE CARTRIDGE UNITS

UCFCF 200

NORMAL DUTY

Set-Screw Locking
Eccentric Locking Available
Wide Inner Ring
Cast Iron Housing
Insert Detail-pg.112-113
Inch and Metric



Fafnir® Style

Shaft Diam. (in.)	AMI Unit #	List Price	Dimensions (in.)										Bolt Size (in.)	Bearing #	Housing #	Weight (lb.)
			a	p	e	s	J	k	g	f	Z	Bi				
7/8	UCFCF205-14	71.00	4-3/8	3-5/8	2.563	13/32	1/4	23/64	55/64	3.000	1.219	1.339	3/8	UC205-14	FCF205	2.68
15/16	UCFCF205-15													UC205-15		
1	UCFCF205-16													UC205-16		
1-1/16	UCFCF206-17	92.60	5	4-1/8	2.917	15/32	27/64	25/64	25/32	3.375	1.172	1.500	7/16	UC206-17	FCF206	3.90
1-1/8	UCFCF206-18													UC206-18		
1-3/16	UCFCF206-19													UC206-19		
1-1/4	UCFCF206-20													UC206-20		
1-1/4	UCFCF207-20	109.50	5-1/4	4-3/8	3.094	15/32	15/32	15/32	7/8	3.625	1.281	1.689	7/16	UC207-20	FCF207	4.20
1-5/16	UCFCF207-21													UC207-21		
1-3/8	UCFCF207-22													UC207-22		
1-7/16	UCFCF207-23													UC207-23		
1-1/2	UCFCF208-24	131.25	5-1/4	4-3/8	3.094	15/32	15/32	15/32	1-1/32	3.625	1.563	1.937	7/16	UC208-24	FCF208	4.60
1-9/16	UCFCF208-25													UC208-25		
1-5/8	UCFCF209-26	145.70	6-1/8	5-1/8	3.625	17/32	15/32	7/16	7/8	4.250	1.406	1.937	1/2	UC209-26	FCF209	6.20
1-11/16	UCFCF209-27													UC209-27		
1-3/4	UCFCF209-28													UC209-28		
1-7/8	UCFCF210-30	171.50	6-3/8	5-3/8	3.800	17/32	5/8	15/32	1-1/16	4.500	1.625	2.031	1/2	UC210-30	FCF210	7.00
1-15/16	UCFCF210-31													UC210-31		
2	UCFCF210-32													UC210-32		
2	UCFCF211-32	221.60	7-1/8	6	4.250	19/32	7/8	15/32	7/8	5.000	1.531	2.189	9/16	UC211-32	FCF211	9.10
2-1/8	UCFCF211-34													UC211-34		
2-3/16	UCFCF211-35													UC211-35		
Dimensions (mm)																
25	UCFCF205	71.00	111	92.1	65.1	10.5	6.4	10	22	76.2	31	34	M8	UC205	FCF205	2.60
30	UCFCF206	92.60	127	104.8	74.1	12	10.7	10	20	85.7	29.8	38.1	M10	UC206	FCF206	3.90
35	UCFCF207	109.50	133	111.1	78.6	12	11.9	12	22	92.1	32.5	42.9	M10	UC207	FCF207	4.20
40	UCFCF208	131.25	134	111.1	78.6	12	11.9	12	26	92.1	39.7	49.2	M10	UC208	FCF208	4.60
45	UCFCF209	145.70	155	130.2	92.1	13.5	11.9	11	22	108.0	35.7	49.2	M12	UC209	FCF209	6.20
50	UCFCF210	171.50	162	136.5	96.5	13.5	15.9	12	27	114.3	41.3	51.6	M12	UC210	FCF210	7.00
55	UCFCF211	221.60	181	152.4	107.8	15	22.2	12	22	127.0	38.9	55.6	M12	UC211	FCF211	9.10

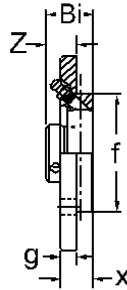
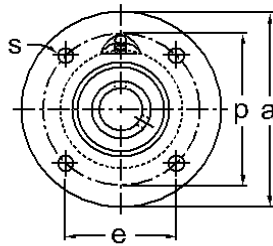
Lubrication fitting tap size for 1" and smaller shaft sizes, 1/4-28 UNF; for all other sizes, 1/8-27 NPT

INTERCHANGES: RFC UCFCF

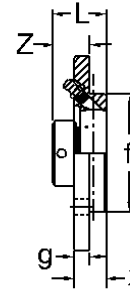
BME / KHME / UCME / UGME 200 PILOTED FLANGE CARTRIDGE UNITS



NORMAL DUTY



BME 200 Type
Set-Screw Locking



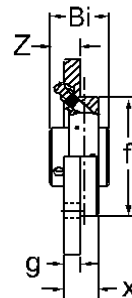
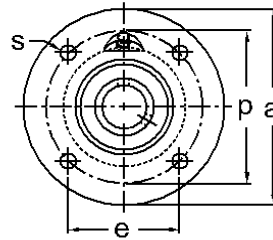
KHME 200 Type
Eccentric Collar Locking

Set-Screw/Eccentric Locking
Narrow Inner Ring
Cast Iron Housing
Insert detail-pg.116-117
Metric

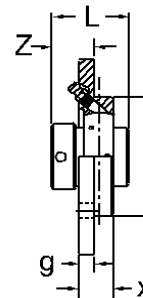
Shaft Diam. (mm)	AMI Unit # Complete with B 200 Type	List Price	AMI Unit # Complete with KH 200 Type	List Price	Dimensions (mm)											Bolt Size (mm)	Bearing #		Housing #	Weight (lb.)
					a	p	e	s	g	x	f	Z		Bi	L		B	KH		
												BME	KHME							
20	BME204	67.75	KHME204	95.35	100	78	55.2	9.0	8	17	62	15.7	21.5	24.7	31.0	M8	B4	KH204	ME204	1.20
25	BME205	82.60	KHME205	121.55	115	90	63.6	9.0	9	19	70	17.0	21.0	27.0	31.0	M8	B5	KH205	ME205	1.60
30	BME206	90.45	KHME206	150.30	125	100	70.7	11.5	9	20	80	20.3	24.7	30.3	35.7	M10	B6	KH206	ME206	2.00
35	BME207	120.25	KHME207	171.30	135	110	77.8	11.5	10	20	90	23.4	28.4	32.9	38.9	M10	B7	KH207	ME207	2.80
40	BME208	150.55	KHME208	212.30	145	120	84.9	11.5	11	23	100	25.5	31.7	35.5	43.7	M10	B8	KH208	ME208	3.40
45	—	—	KHME209	224.95	155	130	91.9	14	12	25	105	—	30.7	—	43.7	M12	—	KH209	ME209	4.60
50	—	—	KHME210	248.00	165	135	95.5	14	13	25	110	—	31.7	—	43.7	M12	—	KH210	ME210	5.00

Lubrication fitting tap size for 25mm and smaller shaft sizes, 1/4-28 UNF; for all other sizes, 1/8-27 NPT

INTERCHANGES: PME PNEY



UCME 200 Type
Set-Screw Locking



UGME 200 Type
Eccentric Collar Locking

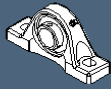
Set-Screw/Eccentric Locking
Wide Inner Ring
Cast Iron Housing
Insert Detail-pg.113,115
Metric

Shaft Diam. (mm)	AMI Unit # Complete with UC 200 Type	List Price	AMI Unit # Complete with UG 200 Type	List Price	Dimensions (mm)											Bolt Size (mm)	Bearing #		Housing #	Weight (lb.)
					a	p	e	s	g	x	f	Z		Bi	L		UC	UG		
												UCME	UGME							
20	UCME204	85.60	UGME204	100.85	100	78	55.2	9.0	8	17	62	16.3	24.6	31.0	43.7	M8	UC204	UG204	ME204	1.20
25	UCME205	122.30	UGME205	132.85	115	90	63.6	9.0	9	19	70	17.2	24.4	34.0	44.4	M8	UC205	UG205	ME205	1.80
30	UCME206	147.25	UGME206	159.40	125	100	70.7	11.5	9	20	80	20.2	28.1	38.1	48.4	M10	UC206	UG206	ME206	2.40
35	UCME207	164.65	UGME207	182.20	135	110	77.8	11.5	10	20	90	24.4	31.3	42.9	51.1	M10	UC207	UG207	ME207	3.00
40	UCME208	208.05	UGME208	226.00	145	120	84.9	11.5	11	23	100	29.2	33.9	49.2	56.3	M10	UC208	UG208	ME208	3.60
45	UCME209	218.10	UGME209	237.65	155	130	91.9	14	12	25	105	28.2	32.9	49.2	56.3	M12	UC209	UG209	ME209	4.40
50	UCME210	243.80	UGME210	256.40	165	135	95.5	14	13	25	110	31.6	37.1	51.6	62.7	M12	UC210	UG210	ME210	5.20

Lubrication fitting tap size for 25mm and smaller shaft sizes, 1/4-28 UNF; for all other sizes, 1/8-27 NPT

INTERCHANGES: RME RMEY

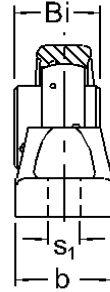
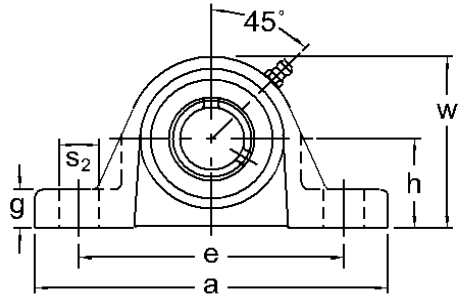




PILLOW BLOCKS

UCP X00

**Set-Screw Locking
Wide Inner Ring
Cast Iron Housing
Insert detail-pg.122
Inch and Metric**



MEDIUM DUTY

Shaft Diam. (in.)	AMI Unit #	List Price	Dimensions (in.)										Bolt Size (in.)	Bearing #	Housing #	Weight (lb.)	
			h	a	e		b	s ₁	s ₂	g	w	Bi					
					Min.	Max.											
1	UCPX05-16	87.00	1-3/4	6-1/4	4-3/16	5-3/16	2	21/32	1	23/32	3-7/16	1.500	1/2	UCX05-16	PX05	3.31	
1-1/8	UCPX06-18	101.70	1-7/8	6-7/8	4-1/2	5-1/2	2-1/4	21/32	1	25/32	3-13/16	1.669	1/2	UCX06-18	PX06	4.19	
1-3/16	UCPX06-19																
1-1/4	UCPX06-20																
1-1/4	UCPX07-20																
1-3/8	UCPX07-22	127.00	2-1/8	8	5	6-3/8	2-1/4	21/32	1-3/16	7/8	4-1/4	1.937	1/2	UCX07-22	PX07	5.95	
1-7/16	UCPX07-23																
1-1/2	UCPX08-24																
1-5/8	UCPX09-26	164.10	2-5/16	8-3/4	5-7/16	6-13/16	2-5/8	25/32	1-5/16	1-1/32	4-39/64	2.031	5/8	UCX09-26	PX09	7.71	
1-11/16	UCPX09-27																
1-3/4	UCPX09-28																
1-7/8	UCPX10-30	197.00	2-1/2	9-9/16	5-15/16	7-9/16	2-7/8	25/32	1-7/16	1-1/8	4-31/32	2.189	5/8	UCX10-30	PX10	9.26	
1-15/16	UCPX10-31																
2	UCPX10-32																
2	UCPX11-32	263.00	2-3/4	10-1/4	6-9/16	7-15/16	3-1/8	1	1-7/16	1-3/16	5-9/16	2.563	3/4	UCX11-32	PX11	13.00	
2-3/16	UCPX11-35																
2-1/4	UCPX11-36																
2-3/8	UCPX12-36																
2-7/16	UCPX12-39	315.10	3	11-1/4	7-1/8	8-7/8	3-1/4	1	1-5/8	1-5/16	6-7/64	2.563	3/4	UCX12-36	PX12	15.87	
2-1/2	UCPX13-40																
2-11/16	UCPX14-43																
2-3/4	UCPX14-44	426.60	3-1/2	13	7-7/8	10-1/8	3-1/2	1-1/16	2	1-5/16	6-57/64	3.063	7/8	UCX14-43	PX14	24.46	
2-15/16	UCPX15-47																
3	UCPX15-48																
3-3/16	UCPX16-51	655.70	4	15	9-11/16	12-9/16	4	1-1/16	2-5/16	1-21/32	8	3.374	7/8	UCX16-51	PX16	38.35	
3-1/4	UCPX17-52																
3-7/16	UCPX17-55																
3-1/2	UCPX18-56	914.00	4	15	9-5/8	12-5/8	4-3/8	1-1/16	2-3/8	1-25/32	8-1/8	4.094	7/8	UCX18-56	PX18	37.47	
3-15/16	UCPX20-63																
4	UCPX20-64																
Dimensions (mm)																	
25	UCPX05	87.00	44.4	159	106	132	51	17	25	18	87	38.1		UCX05	PX05	3.31	
30	UCPX06	101.70	47.6	175	114	140	57	17	25	20	97	42.9	M14	UCX06	PX06	4.19	
35	UCPX07	127.00	54	203	127	162	57	17	30	22	108	49.2		UCX07	PX07	5.95	
40	UCPX08	152.00	58.7	222	140	172	66	20	32	26	115	49.2		UCX08	PX08	7.71	
45	UCPX09	164.10	58.7	222	138	173	66	20	33	26	117	51.6	M16	UCX09	PX09	7.71	
50	UCPX10	197.00	63.5	243	151	192	74	20	36	29	126	55.6		UCX10	PX10	9.26	
55	UCPX11	263.00	69.8	260	167	202	79	25	36	30	141	65.1		UCX11	PX11	13.00	
60	UCPX12	315.10	76.2	286	181	225	82	25	41	33	155	65.1	M20	UCX12	PX12	15.87	
65	UCPX13	360.20	76.2	286	181	225	82	21	41	33	155	74.6		UCX13	PX13	16.31	
70	UCPX14	426.60	88.9	330	200	257	89	27	51	33	175	77.8		UCX14	PX14	24.46	
75	UCPX15	484.80	88.9	330	200	257	89	27	51	33	177	82.6	M22	UCX15	PX15	25.13	
80	UCPX16	655.70	101.6	381	246	319	102	27	59	42	203	85.7		UCX16	PX16	38.35	
85	UCPX17	702.00	101.6	381	246	319	111	27	59	42	209	96	M22	UCX17	PX17	37.69	
90	UCPX18	914.00	101.6	381	245	321	111	27	60	45	206	104	M22	UCX18	PX18	37.47	
100	UCPX20	1240.00	127	432	299	375	121	33	64	52	254	117.5	M27	UCX20	PX20	72.73	

Lubrication fitting tap size 1/8-27 NPT

INTERCHANGES: VPS-3 P2B-SCM YASM C-35 SYM-TF UCPX MP

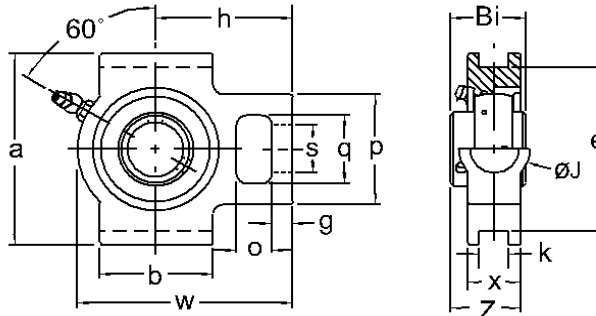




WIDE SLOT TAKE-UP UNITS

UCT X00

**Set-Screw Locking
Wide Inner Ring
Cast Iron Housing
Insert detail-pg.102
Inch and Metric**



Shaft Diam. (in.)	AMI Unit #	List Price	Dimensions (in.)														Bearing #	Housing #	Weight (lb.)	
			o	g	p	q	s	b	k	e	a	w	J	x	h	Bi				Z
1	UCTX05-16	87.00	5/8	3/8	2-3/16	1-7/16	7/8	2-1/4	0.472	3.504	4	4-7/16	1-7/16	1-1/8	2-3/4	1500	1437	UCX05-16	TX05	2.87
1-1/8	UCTX06-18	101.70	5/8	1/2	2-1/2	1-7/16	7/8	2-1/2	0.472	3.504	4	5-1/16	1-7/16	1-3/16	3-1/16	1.689	1.584	UCX06-18	TX06	3.53
1-3/16	UCTX06-19																	UCX06-19		
1-1/4	UCTX06-20																	UCX06-20		
1-1/4	UCTX07-20																	UCX07-20		
1-3/8	UCTX07-22	127.00	3/4	9/16	3-1/4	1-15/16	1-1/8	3-1/4	0.630	4.016	4-1/2	5-11/16	1-15/16	1-7/16	3-15/32	1.937	1.908	UCX07-22	TX07	5.73
1-7/16	UCTX07-23																	UCX07-23		
1-1/2	UCTX08-24																	UCX08-24		
1-5/8	UCTX09-26	164.10	3/4	5/8	3-1/4	1-15/16	1-1/8	3-3/8	0.630	4.016	4-5/8	5-7/8	1-15/16	1-1/2	3-17/32	2.031	2.033	UCX09-26	TX09	6.17
1-11/16	UCTX09-27																	UCX09-27		
1-3/4	UCTX09-28																	UCX09-28		
1-7/8	UCTX10-30																	UCX10-30		
1-15/16	UCTX10-31	197.00	1	3/4	4	2-1/2	1-3/8	3-3/4	0.866	5.118	5-3/4	6-3/4	2-1/2	1-5/8	4-3/16	2.189	2.128	UCX10-31	TX10	9.70
2	UCTX10-32																	UCX10-32		
2	UCTX11-32	263.00	1-1/4	3/4	4	2-1/2	1-3/8	4	0.866	5.118	5-3/4	7-5/8	2-1/2	1-3/4	4-11/16	2.563	2.438	UCX11-32	TX11	11.46
2-3/16	UCTX11-35																	UCX11-35		
2-1/4	UCTX11-36																	UCX11-36		
2-3/8	UCTX12-38																	UCX12-38		
2-7/16	UCTX12-39	315.10	1-1/4	13/16	4-3/8	2-3/4	1-5/8	4-3/4	1.024	5.945	6-9/16	8-13/16	2-3/4	1-7/8	5-13/32	2.563	2.501	UCX12-38	TX12	15.87
2-1/2	UCTX12-39																	UCX12-39		
2-1/2	UCTX13-40	360.20	1-1/4	13/16	4-3/8	2-3/4	1-5/8	4-3/4	1.024	5.945	6-9/16	8-13/16	2-3/4	1-7/8	5-13/32	2.937	2.686	UCX13-40	TX13	16.31
2-11/16	UCTX14-43																	UCX14-43		
2-3/4	UCTX14-44																	UCX14-44		
2-15/16	UCTX15-47																	UCX15-47		
3	UCTX15-48	484.80	1-1/4	13/16	4-3/8	2-3/4	1-5/8	4-3/4	1.102	6.496	7-1/4	9-1/4	2-3/4	2	5-1/2	3.252	2.879	UCX15-48	TX15	18.51
3-3/16	UCTX16-51																	UCX16-51		
3-1/4	UCTX17-52	702.00	1-1/2	1-1/8	4-7/8	2-7/8	1-7/8	6-3/16	1.102	6.811	7-13/16	10-1/4	2-7/8	2-1/8	6-3/8	3.374	3.084	UCX17-52	TX17	24.91
3-7/16	UCTX17-55																	UCX17-55		
Dimensions (mm)																				
25	UCTX05	87.00	16	10	56	37	22	57	12	89	102	113	37	28	70	38.1	36.5	UCX05	TX05	2.90
30	UCTX06	101.70	16	13	64	37	22	64	12	89	102	129	37	30	78	42.9	40.5	UCX06	TX06	3.57
35	UCTX07	127.00	19	15	83	49	29	83	16	102	114	144	49	36	88	49.2	48.5	UCX07	TX07	5.80
40	UCTX08	152.00	19	15	83	49	29	83	16	102	117	144	49	36	87	49.2	48.5	UCX08	TX08	5.80
45	UCTX09	164.10	19	16	83	49	29	86	16	102	117	149	49	38	90	51.6	51.6	UCX09	TX09	6.24
50	UCTX10	197.00	25	19	102	64	35	95	22	130	146	171	64	42	106	55.6	54.1	UCX10	TX10	9.81
55	UCTX11	263.00	32	19	102	64	35	102	22	130	146	194	64	44	119	65.1	61.9	UCX11	TX11	11.6
60	UCTX12	315.10	32	21	111	70	41	121	26	151	167	224	70	48	137	65.1	63.5	UCX12	TX12	16.1
65	UCTX13	360.20	32	21	111	70	41	121	26	151	167	224	70	48	137	74.6	68.2	UCX13	TX13	16.5
70	UCTX14	426.60	32	21	111	70	41	121	26	151	167	232	70	48	140	77.8	68.3	UCX14	TX14	17.2
75	UCTX15	484.80	32	21	111	70	41	121	28	165	184	235	70	51	140	82.6	73.1	UCX15	TX15	18.8
80	UCTX16	655.70	38	28	124	73	48	157	28	173	198	260	73	54	162	85.7	78.6	UCX16	TX16	25.2
85	UCTX17	702.00	38	28	124	73	48	157	28	173	198	260	73	54	162	96	83.3	UCX17	TX17	24.5

Lubrication fitting tap size 1/8-27 NPT

INTERCHANGES: UCTX

MEDIUM DUTY

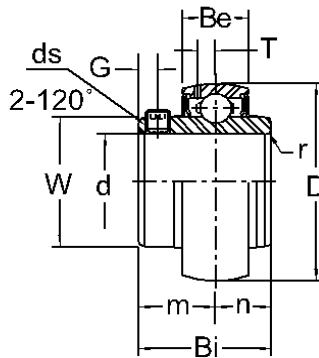


UC / UCW 200

BALL BEARINGS



NORMAL DUTY



Set-Screw (120°) Locking
Wide Inner Ring
Steel Cage
AISI 52100 Steel
0°F ~ 212°F
Contact Seal and Slinger
Prelubricated / Relubricatable
Inch

Shaft Diam. (in.) d	AMI Unit #	List Price	Dimensions (in.)										Basic Load Rating (lb.)		Weight (lb.)
			D	Bi	Be	r	n	m	G	ds(UNF)	T	W	Dynamic Cr	Static Cor	
1/2	UC201-8	27.55	1.8504	1.220	0.669	0.039	0.500	0.720	0.177	1/4-28	0.177	1.142	2890	1500	0.46
5/8	UC202-10														
11/16	UC203-11														
3/4	UC204-12	27.55	1.8504	1.220	0.669	0.059	0.500	0.720	0.177	1/4-28	0.177	1.142	2890	1500	0.35
7/8	UC205-14	30.55	2.0472	1.339	0.669	0.059	0.563	0.776	0.197	1/4-28	0.177	1.339	3150	1780	0.42
15/16	UC205-15														
1	UC205-16														
1-1/16	UC206-17	36.25	2.4409	1.500	0.748	0.059	0.626	0.874	0.197	1/4-28	0.201	1.594	4410	2540	0.68
1-1/8	UC206-18														
1-3/16	UC206-19														
1-1/4	UC206-20														
1-1/4	* UC207-20	46.15	2.8346	1.689	0.787	0.079	0.689	1.000	0.236	5/16-24	0.228	1.890	5820	3460	1.06
1-5/16	* UC207-21														
1-3/8	* UC207-22														
1-7/16	* UC207-23														
1-1/2	* UC208-24	57.55	3.1496	1.937	0.827	0.079	0.748	1.189	0.315	5/16-24	0.244	2.087	6590	4020	1.37
1-9/16	* UC208-25														
1-5/8	* UC209-26	62.95	3.3465	1.937	0.866	0.079	0.748	1.189	0.315	5/16-24	0.256	2.256	7420	4610	1.48
1-11/16	* UC209-27														
1-3/4	* UC209-28														
1-7/8	* UC210-30	74.40	3.5433	2.031	0.906	0.079	0.748	1.283	0.354	3/8-24	0.256	2.480	7980	5220	1.72
1-15/16	* UC210-31														
2	* UC210-32														
2	UC211-32	95.25	3.9370	2.189	0.945	0.098	0.874	1.315	0.354	3/8-24	0.287	2.756	9700	6610	2.27
2-1/8	UC211-34														
2-3/16	UC211-35														
2-1/4	UC212-36	128.85	4.3307	2.563	1.024	0.098	1.000	1.563	0.394	3/8-24	0.303	3.031	11800	8120	3.20
2-3/8	UC212-38														
2-7/16	UC212-39														
2-1/2	UC213-40	157.20	4.7244	2.563	1.063	0.098	1.000	1.563	0.394	3/8-24	0.327	3.232	12900	9000	3.77
2-11/16	UC214-43	203.85	4.9213	2.937	1.142	0.098	1.189	1.748	0.472	7/16-20	0.343	3.425	14000	9900	4.54
2-3/4	UC214-44														
2-15/16	UC215-47	244.00	5.1181	3.063	1.181	0.098	1.311	1.752	0.551	7/16-20	0.362	3.602	14900	10800	4.89
3	UC215-48														
3-1/4	UC217-52	392.40	5.9055	3.374	1.339	0.118	1.343	2.031	0.551	7/16-20	0.413	4.134	18700	13900	7.45
3-7/16	UC217-55														
3-1/2	UC218-56	486.00	6.2992	3.780	1.417	0.118	1.563	2.217	0.591	1/2-20	0.437	4.390	21500	16100	9.57
1/2	UCW201-8	27.55	1.5748	1.024	0.591	0.039	0.394	0.630	0.157	10-32	0.157	0.972	2150	1080	0.26
9/16	UCW202-9														
5/8	UCW202-10														
11/16	UCW203-11														

NOTE: *Double Lip (RD) and Triple Lip (RT) Seals are available for these sizes. Consult AMI for pricing and availability.
 Example: UC207-20RD (Double Lip) or UC207-20RT (Triple Lip)

INTERCHANGES: VS-2 | INS-SC | GY1-KRRB | YW250 | UG2-NL | MB-25-PA | YAR2 | 2-

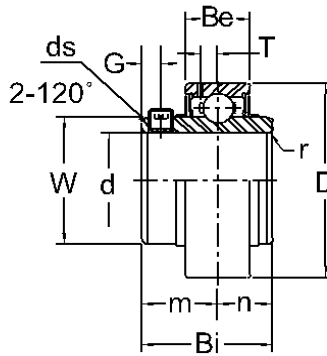


UR 200

BALL BEARINGS



NORMAL DUTY

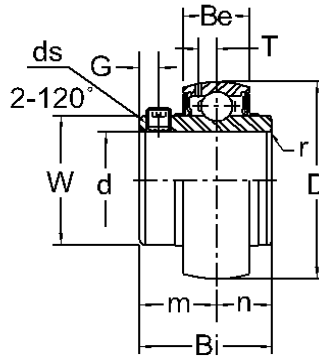


Set-Screw (120°) Locking
 Wide Inner Ring
 Steel Cage
 AISI 52100 Steel
 0°F ~ 212°F
 Contact Seal and Slinger
 Cylindrical O.D.
 Prelubricated / Relubricatable
 Inch and Metric

Shaft Diam. (in.) d	AMI Unit #	List Price	Dimensions (in.)										Basic Load Rating (lbf)		Weight (lb.)	
			D	Bi	Be	r	n	m	G	ds(UNF)	T	W	Dynamic Cr	Static Cor		
1/2	URW201-8	27.55	1.5748	1.024	0.591	0.039	0.394	0.630	0.157							0.26
5/8	URW202-10															0.24
3/4	UR204-12	27.55	1.8504	1.220	0.669	0.059	0.500	0.720	0.177	1/4-28	0.177	1.142	2890	1500	0.35	
1	UR205-16	30.55	2.0472	1.339	0.669	0.059	0.563	0.776	0.197	1/4-28	0.177	1.339	3150	1780	0.42	
1-1/4	UR206-20	36.25	2.4409	1.500	0.748	0.059	0.626	0.874	0.197	1/4-28	0.201	1.594	4410	2540	0.68	
1-1/4	UR207-20	46.15	2.8346	1.689	0.787	0.079	0.689	1.000	0.236	5/16-24	0.228	1.890	5820	3460	1.06	
1-7/16	UR207-23															
1-1/2	UR208-24	57.55	3.1496	1.937	0.827	0.079	0.748	1.189	0.315	5/16-24	0.244	2.087	6590	4020	1.37	
			Dimensions (mm)										Basic Load Rating (kgf)			
20	UR204	27.55	47	31	17	1.5	12.7	18.3	4.5			29	1310	680	0.36	
25	UR205	30.55	52	34	17	1.5	14.3	19.7	5	M6X0.75	4.5	34	1430	800	0.42	
30	UR206	36.25	62	38.1	19	1.5	15.9	22.2	5		5.1	40.5	2000	1150	0.69	
35	UR207	46.15	72	42.9	20	2	17.5	25.4	6		5.8	48	2640	1570	1.07	
40	UR208	57.55	80	49.2	21	2	19	30.2	8	M8X1	6.2	53	2990	1830	1.38	
45	UR209	62.95	85	49.2	22	2	19	30.2	8		6.5	57.3	3350	2090	1.49	

INTERCHANGES: UBG2-NL





Set-Screw (120°) Locking
Wide Inner Ring
Steel Cage
AISI 52100 Steel
0°F ~ 212°F
Contact Seal and Slinger
Prelubricated / Relubricatable
Inch and Metric

HEAVY DUTY

Shaft Diam. (in.) d	AMT Unit #	List Price	Dimensions (in.)										Basic Load Rating (lbf.)		Weight (lb.)
			D	Bi	Be	r	n	m	G	ds(UNF)	T	W	Dynamic Cr	Static Cor	
1	UC305-16	69.40	2.4409	1.496	0.827	0.079	0.591	0.906	0.236	1/4-28	0.240	1.453	4780	2450	0.97
1-3/16	UC306-19	78.70	2.8346	1.693	0.906	0.079	0.669	1.024	0.236	1/4-28	0.264	1.772	6020	3370	1.23
1-1/4	UC307-20	92.90	3.1496	1.890	0.984	0.098	0.748	1.142	0.315	5/16-24	0.291	1.988	7530	4320	1.56
1-7/16	UC307-23														
1-1/2	UC308-24	114.70	3.5433	2.047	1.063	0.098	0.748	1.299	0.394	3/8-24	0.323	2.205	9150	5380	2.20
1-11/16	UC309-27	146.90	3.9370	2.244	1.181	0.098	0.866	1.378	0.394	3/8-24	0.354	2.480	11570	6630	2.82
1-3/4	UC309-28														
1-7/8	UC310-30	181.50	4.3307	2.402	1.260	0.118	0.866	1.535	0.472	7/16-20	0.394	2.776	13900	8600	3.64
1-15/16	UC310-31														
2	UC311-32	227.20	4.7244	2.598	1.339	0.118	0.984	1.614	0.472	7/16-20	0.421	3.012	16100	10100	4.56
2-3/16	UC311-35														
2-7/16	UC312-39	276.20	5.1181	2.795	1.417	0.138	1.024	1.772	0.472	1/2-20	0.453	3.248	18300	11700	5.71
2-1/2	UC313-40	328.80	5.5118	2.953	1.496	0.138	1.181	1.772	0.472	1/2-20	0.480	3.484	20800	13500	6.94
2-11/16	UC314-43	466.20	5.9055	3.071	1.575	0.138	1.299	1.772	0.472	1/2-20	0.512	3.748	23400	15200	8.44
2-3/4	UC314-44														
2-15/16	UC315-47	515.80	6.2992	3.228	1.654	0.138	1.260	1.969	0.551	9/16-18	0.543	3.996	25600	17300	10.12
3	UC315-48														
3-3/16	UC316-51	706.50	6.6929	3.386	1.732	0.138	1.339	2.047	0.551	9/16-18	0.571	4.252	27650	19400	11.90
3-1/4	UC317-52	860.20	7.0866	3.780	1.811	0.157	1.575	2.205	0.630	5/8-18	0.591	4.508	29700	21700	14.50
3-7/16	UC318-55	1459.10	7.4803	3.780	1.890	0.157	1.575	2.205	0.630	5/8-18	0.626	4.764	32200	24000	16.18
3-1/2	UC318-56														
3-3/4	UC319-60	1066.60	7.8740	4.055	1.969	0.157	1.614	2.441	0.630	5/8-18	0.657	5.020	34400	26600	19.17
3-15/16	UC320-63	1299.10	8.4646	4.252	2.126	0.157	1.654	2.598	0.709	3/4-16	0.709	5.335	39000	31500	23.80
4	UC320-64														
4-7/16	UC322-71	1744.40	9.4488	4.606	2.362	0.157	1.811	2.795	0.709	3/4-16	0.827	5.984	46100	40200	31.90

Shaft Diam. (mm)	AMT Unit #	List Price	Dimensions (mm)										Basic Load Rating (kgf.)		Weight (kg)
			D	Bi	Be	r	n	m	G	ds(Metric)	T	W	Dynamic Cr	Static Cor	
25	UC305	69.40	62	38	21	2	15	23	6	M6x0.75	6.1	36.9	2170	1120	0.98
30	UC306	78.70	72	43	23	2	17	26	6	M6x0.75	6.7	45	2730	1530	1.25
35	UC307	92.90	80	48	25	2.5	19	29	8	M8x1	7.4	50.5	3400	1960	1.58
40	UC308	114.70	90	52	27	2.5	19	33	10	M10x1.25	8.2	56	4150	2440	2.23
45	UC309	146.90	100	57	30	2.5	22	35	10	M10x1.25	9	63	5250	3000	2.85
50	UC310	181.50	110	61	32	3	22	39	12	M12x1.5	10	70.5	6300	3900	3.68
55	UC311	227.20	120	66	34	3	25	41	12		10.7	76.5	7300	4600	4.62
60	UC312	276.20	130	71	36	3.5	26	45	12	M12x1.5	11.5	82.5	8300	5300	5.78
65	UC313	328.80	140	75	38	3.5	30	45	12		12.2	88.5	9450	6100	7.02
70	UC314	466.20	150	78	40	3.5	33	45	12	M12x1.5	13	95.2	10600	6930	8.54
75	UC315	515.80	160	82	42	3.5	32	50	14	M14x1.5	13.8	101.5	11600	7840	10.3
80	UC316	706.50	170	86	44	3.5	34	52	14	M14x1.5	14.5	108	12540	8800	12.1
85	UC317	860.20	180	96	46	4	40	56	16		15	114.5	13500	9800	14.7
90	UC318	950.40	190	96	48	4	40	56	16	M16x1.5	15.9	121	14600	10900	16.4
95	UC319	1066.60	200	103	50	4	41	62	16		16.7	127.5	15600	12100	19.4
100	UC320	1299.10	215	108	54	4	42	66	18		18	135.5	17700	14300	24.1
105	UC321	1601.80	225	112	56	4	44	68	18	M18x1.5	19	142	18700	15600	27.2
110	UC322	1744.40	240	117	60	4	46	71	18		21	152	20900	18230	31.9
120	UC324	2343.50	260	126	64	4	51	75	18	M18x1.5	22	165	21100	18900	41.3
130	UC326	2939.90	280	135	68	5	54	81	20	M20x1.5	23	178	23400	21900	51.3
140	UC328	3821.30	300	145	73	5	59	86	20	M20x1.5	25	191.5	26000	25100	63.6

INTERCHANGES: UG3-L UC3

