

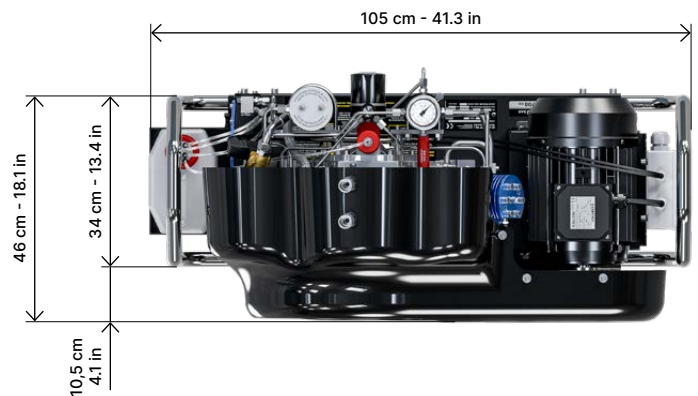
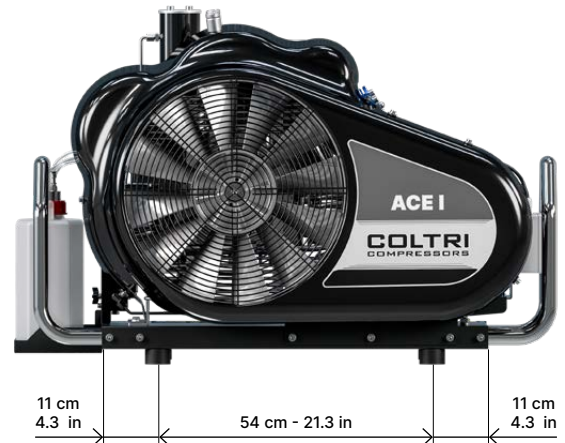
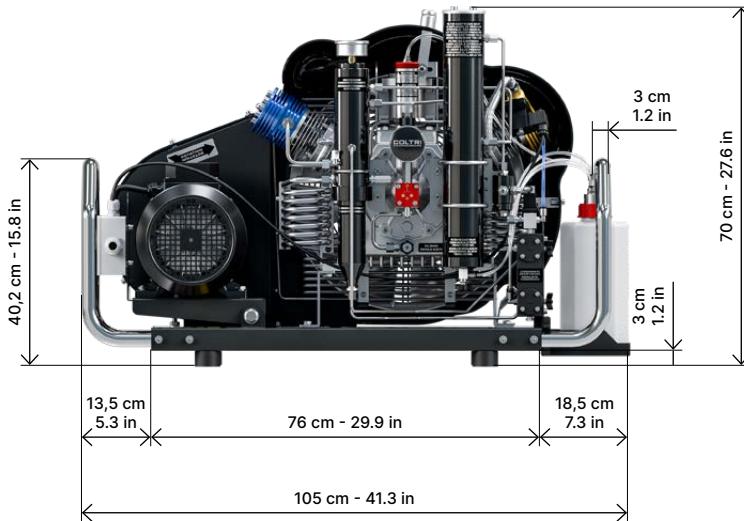
BOOSTER LINE

# ACE I



Contact

# Small, portable, but concentrated power



## Technical data

Type of gas	Air - Nitrogen
Intake pressure	Min. 2 bar Max. 8 bar
Working pressure	232 bar / 300 bar
Max working pressure	420 bar
Permissible ambient temperature range	-10° C ÷ +40° C
Permissible altitude	0 ÷ 1.500 m SLM
Max permissible tilt	15°
Oil	Synthetic Coltri Oil ST 755
Oil change interval	1 year / 1.000 h
Frame	Steel - Colour Black RAL 9005 - Powder coating painting - Scratch proof

## Compressor

	4 KW	5,5 KW
Flow rate	Min. 28,5 - Max. 235 l/min Min. 1.7 - Max. 14.1 m <sup>3</sup> /h Min. 1 - Max. 8.3 cfm	Min. 41 - Max. 350 l/min Min. 2.5 - Max. 21 m <sup>3</sup> /h Min. 1.4 - Max. 12.4 cfm
Purification System	Maxifilter	
Cooling air flow	1.480 m <sup>3</sup> /h	1.960 m <sup>3</sup> /h
Weight <sup>1</sup>	105 kg - 231 lb	
Dimensions (W x D x H) <sup>1</sup>	105 × 46 × 70 cm - 41.3 × 18.1 × 27.6 in	

<sup>1</sup> Standard model. Dimensions and weight may vary depending on accessories.

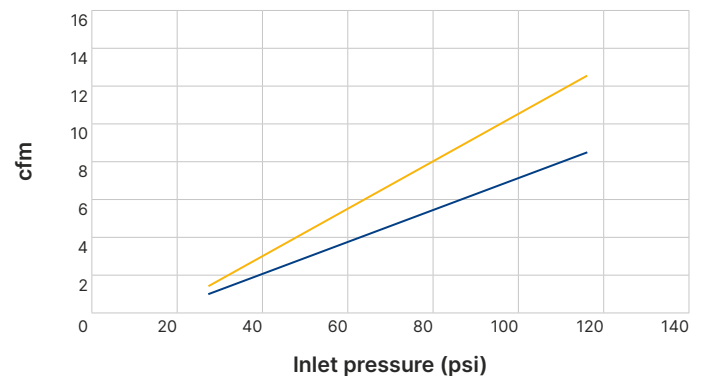
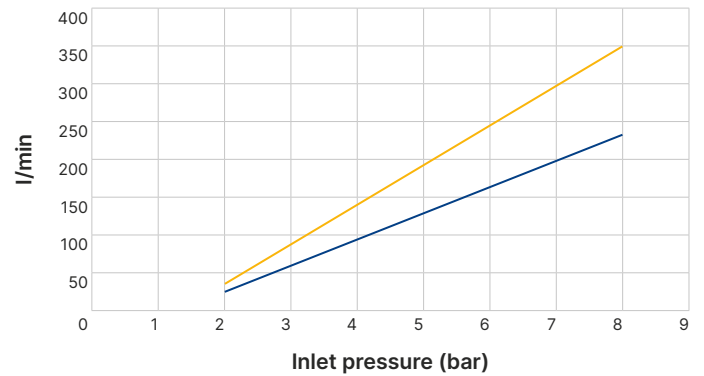
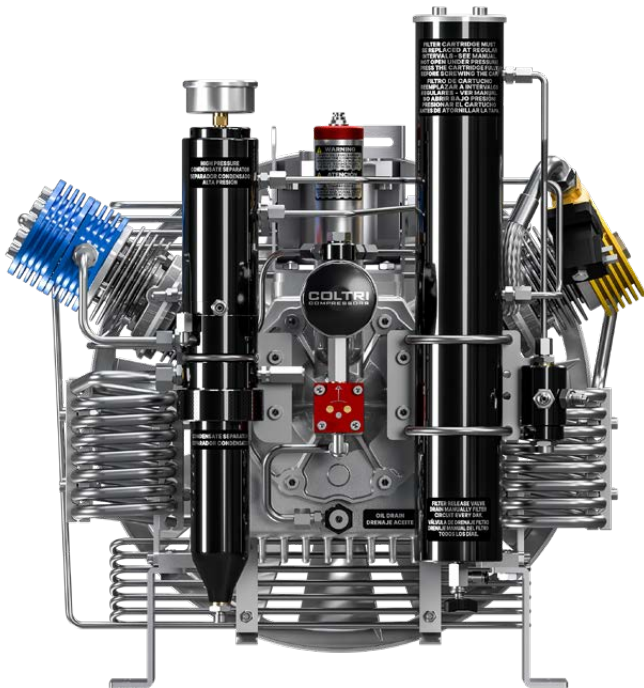
## Electric motor

	4 KW		5,5 KW	
Type	Three-phase electric			
Power	4 kW - 5.5 Hp		5,5 kW - 7.5 Hp	
Operating voltage/frequency <small>Different voltage / frequency available on request.</small>	400 V, 50 Hz	440 V, 60 Hz	400 V, 50 Hz	440 V, 60 Hz
Courant nominal	9,7 A		12,6 A	
Régime moteur (RPM)	2.840	3.410	2.850	3.420
Protection class	IP55			

The IP55 protection class, compliant with IEC 60034-5, guarantees protection against dust deposits and water jets from any direction.

# Technical data pumping unit MCH 16

	4 KW	5,5 KW
Intake pressure	Min. 2 bar Max. 8 bar	
Flow rate	Min. 28,5 - Max. 235 l/min Min. 1.7 - Max. 14.1 m <sup>3</sup> /h Min. 1 - Max. 8.3 cfm	Min. 41 - Max. 350 l/min Min. 2.5 - Max. 21 m <sup>3</sup> /h Min. 1.4 - Max. 12.4 cfm
Speed (RPM)	1.088	1.440
Number of stages	2	
Number of cylinders	2	
Cylinder bore 2nd stage	38 mm	
Cylinder bore 3rd stage	15 mm	
Stroke	50 mm	
Direction of rotation from flywheel side	Counter clockwise (left)	
Drive type	V-belt A type	
Oil sump capacity	1,8 liters	



**ACE I 4 KW**

l/min Min. 28,5 - Max. 235  
cfm Min. 1 - Max. 8,3

**ACE I 5.5 KW**

l/min Min. 41 - Max. 350  
cfm Min. 1,4 - Max. 12,4



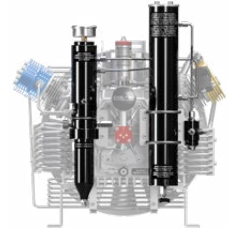
**Forced lubrication with low pressure gear pump**



**Safety valves after each stage of compression**



**Pipes, fitting and nuts in stainless steel AISI 316**



**Condensate separator after the medium pressure stage and final high pressure stage**



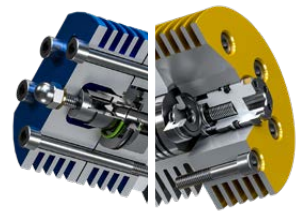
**Die-cast aluminium cylinders with barrel coating in nicasil**



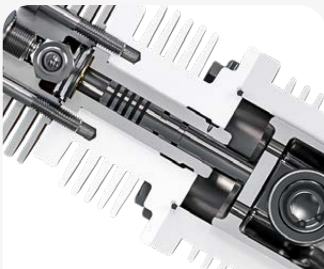
**Forged aluminum connecting rods**



**Forged steel crankshaft**



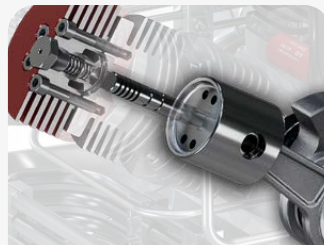
**Stainless steel second and third stage valves**



**Third stage in tempered steel with 5 piston rings in special cast iron**



**Roller Bearings for intensive work load**



**Second and third stage with pushing pistons to eliminate lateral forces on the pistons**



**CE certification**

# Standard equipment

## Purification system Maxifilter for nitrogen

MAXIFILTER regenerable or disposable cartridge



Purification system	Maxifilter
Operating pressure (Standard)	250 bar / 330 bar / 360 bar
Operating pressure max. (PS)	420 bar
Filtered gas volume (nitrogen) When using a filter cartridge of the type shown in the figure.	8.600 m <sup>3</sup>

## Condensate separation system

- Interstage separator in forged and anodized aluminum
- Final separator for removal of oil/water condensate
- Final safety valve, mounted on the separator housing
- Pressure maintenance valve / non-return valve
- Automatic condensate drain



Contamination	Maximum content as per DIN EN 12021:2014	Gas quality*
Oil	0,5 mg/m	≤ 0,5 mg/m

\* Measured at our facility using ASCO HORA 160 ANALYZER.  
 • Reported values exceed ISO 8573-1 standards.

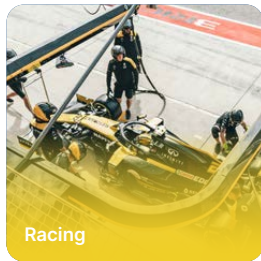
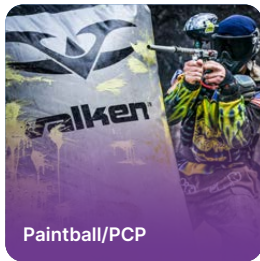


**Carrying handles**



**Filling hose**

# Application fields



## Aerotecnica Coltri S.p.A.

Via dei Colli Storici, 177  
25015 Desenzano del Garda - Brescia - Italy

Tel. +39 030 9910301  
+39 030 9910297

[info@coltri.com](mailto:info@coltri.com)



Printed on paper from  
sustainably managed forests



[coltri.com](http://coltri.com)



Visit our  
showroom in  
Virtual Reality



[coltri.com/showroom](http://coltri.com/showroom)

**COLTRI**<sup>®</sup>  
COMPRESSORS