

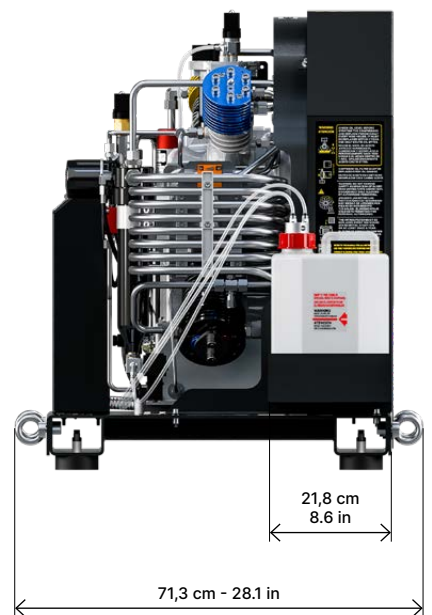
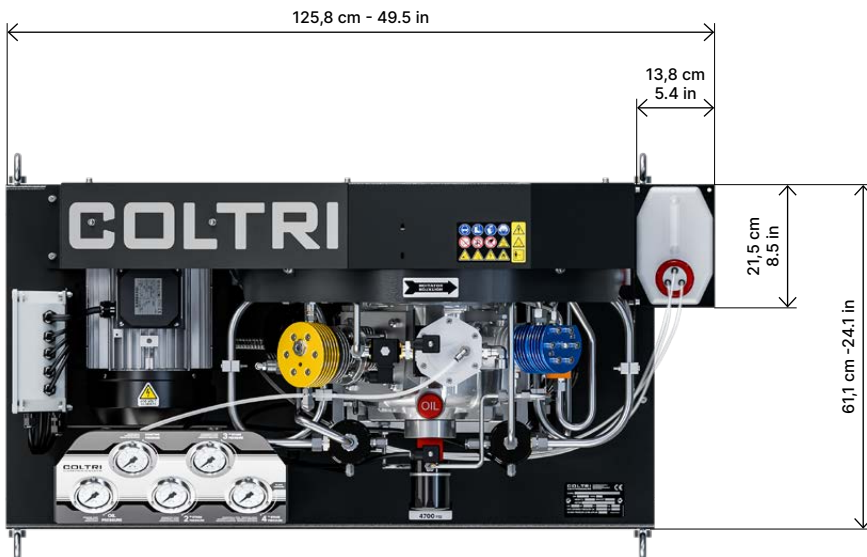
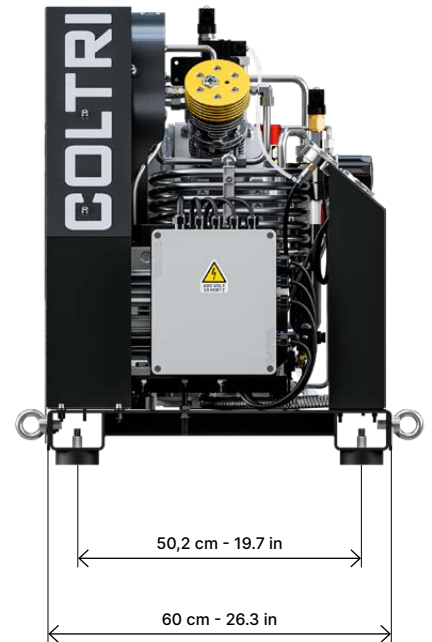
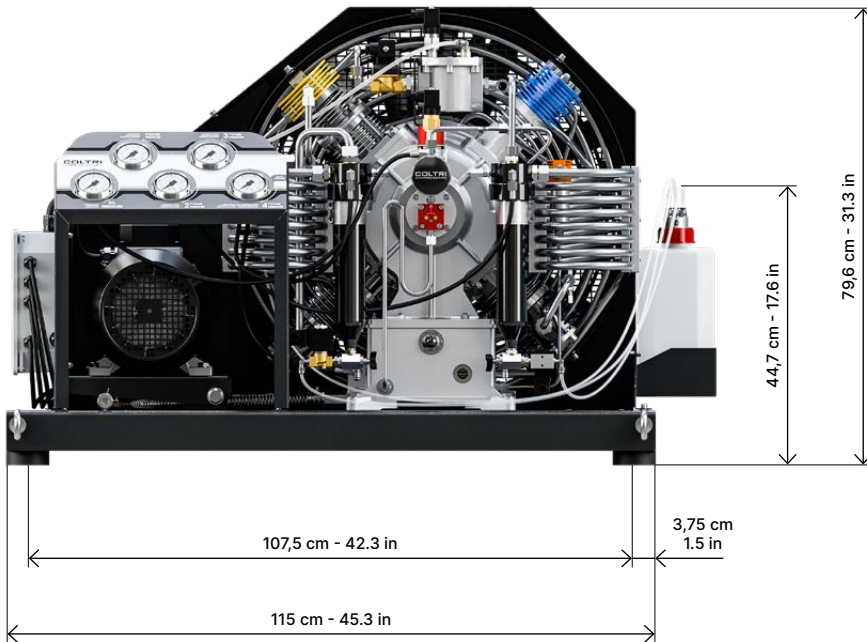
BOOSTER LINE

# ACE VII ZERO LOSS



Contact

# Big performance, small consumption



## Technical data

Type of gas	Air - Nitrogen
Intake pressure	Min. 2 bar Max. 5 bar
Working pressure	232 bar / 300 bar
Max working pressure	420 bar
Permissible ambient temperature range	-10° C ÷ +40° C
Permissible altitude	0 ÷ 1.500 m SLM
Max permissible tilt	15°
Oil	Synthetic Coltri Oil ST 755
Oil change interval	1 year / 1.000 h
Frame	Steel - Colour Black RAL 9005 - Powder coating painting - Scratch proof

## Compressor

	11 KW	15 KW
Flow rate	Min. 250 - Max. 620 l/min Min. 15 - Max. 37 m <sup>3</sup> /h Min. 8.8 - Max. 21.9 cfm	Min. 280 - Max. 690 l/min Min. 17 - Max. 41.4 m <sup>3</sup> /h Min. 9.9 - Max. 24.4 cfm
Purification System	2 Hyperfilter with activated carbon	
Cooling air flow	3.960 m <sup>3</sup> /h	4.450 m <sup>3</sup> /h
Weight <sup>1</sup>	225 kg - 496 lb	
Dimensions (W x D x H) <sup>1</sup>	115 × 60 × 79,6 cm - 45.3 × 23.6 × 31.3 in	

<sup>1</sup> Standard model. Dimensions and weight may vary depending on accessories.

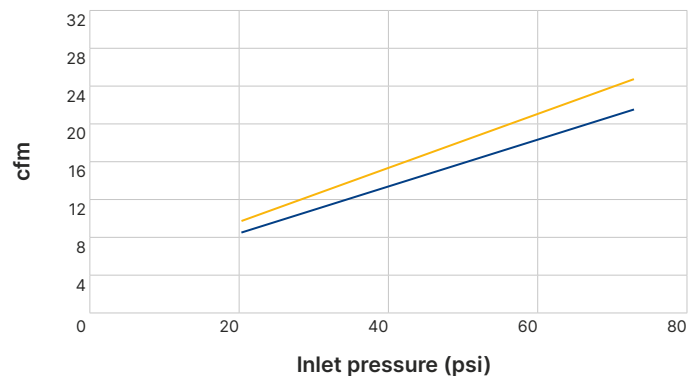
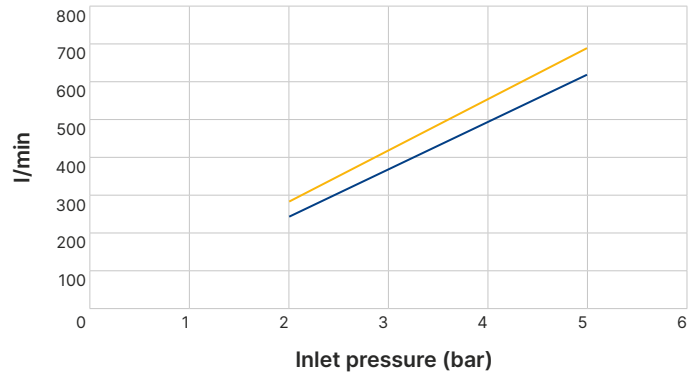
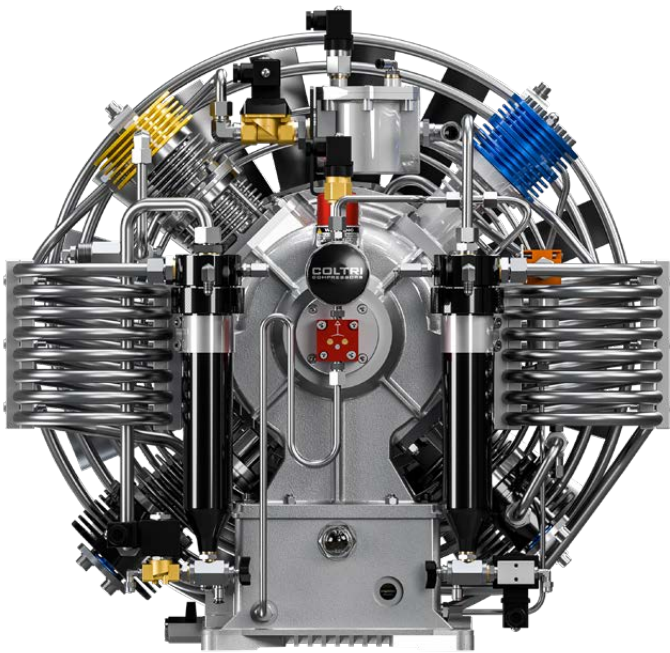
## Electric motor

	11 KW		15 KW	
Type	Three-phase electric			
Power	11 kW - 15 Hp		15 kW - 20 Hp	
Operating voltage/frequency <small>Different voltage / frequency available on request.</small>	400 V - 50 Hz	440 V - 60 Hz	400 V - 50 Hz	440 V - 60 Hz
Rated current	23 A		31 A	
Speed (RPM)	2.910	3.500	2.920	3.500
Protection class	IP55			

The IP55 protection class, compliant with IEC 60034-5, guarantees protection against dust deposits and water jets from any direction.

# Technical data pumping unit MCH 36

	11 KW	15 KW
Intake pressure	Min. 2 bar Max. 5 bar	
Flow rate	Min. 250 - Max. 620 l/min Min. 15 - Max. 37 m <sup>3</sup> /h Min. 8.8 - Max. 21.9 cfm	Min. 280 - Max. 690 l/min Min. 17 - Max. 41.4 m <sup>3</sup> /h Min. 9.9 - Max. 24.4 cfm
Speed (RPM)	1.250	1.400
Number of stages	3 + 1 service	
Number of cylinders	3 + 1 service	
Cylinder bore 2nd stage	60 mm	
Cylinder bore 3rd stage	32 mm	
Cylinder bore 4th stage	15 mm	
Stroke	50 mm	
Direction of rotation from flywheel side	Counter clockwise (left)	
Drive type	V-belt A type	
Oil sump capacity	4 liters	



11 KW

l/min Min. 250 - Max. 620  
cfm Min. 8,8 - Max. 21,9

15 KW

l/min Min. 280 - Max. 690  
cfm Min. 9,9 - Max. 24,4



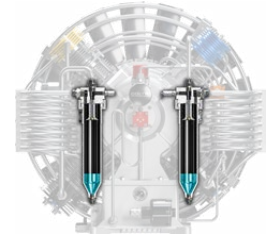
**Forced lubrication with low pressure gear pump**



**First stage for gas recovery**



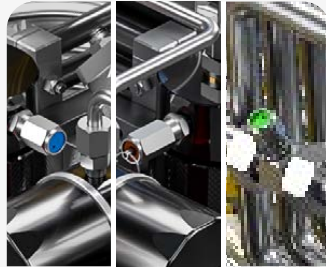
**Pipes, fitting and nuts in stainless steel AISI 316**



**Intermediate condensate separator after the second and third stage**



**High pressure final condensate separator double effect**



**Safety valves after each stage of compression**



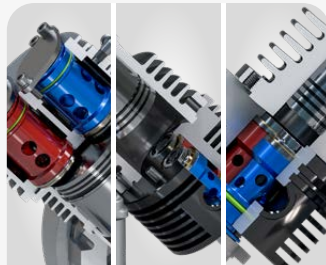
**Special cast iron cylinders with low roughness lapping**



**Forged aluminum connecting rods**



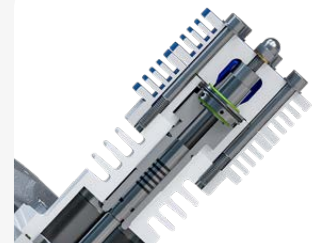
**Forged steel crankshaft**



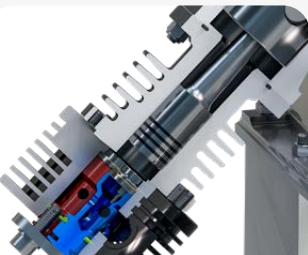
**High-flow first, second and third stage valves**



**Roller Bearings for intensive work**



**Fourth stage in tempered steel with 6 piston rings in special cast iron**



**Second, third and fourth stage with pushing pistons to eliminate lateral forces on the pistons**



**Low oil pressure switch**



**CE certification**

# Standard equipment

## Purification system Hyperfilter for nitrogen

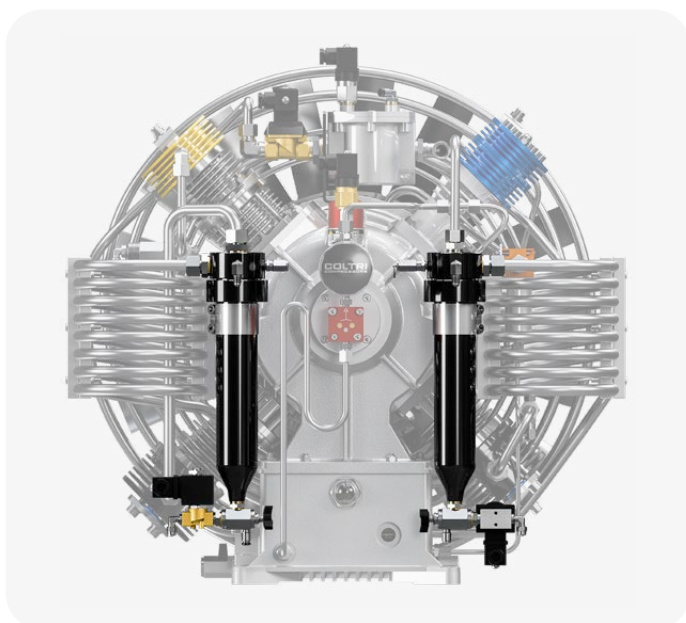
DOUBLE HYPERFILTER regenerable or disposable cartridge



Purification system	Hyperfilter x 2
Operating pressure (Standard)	250 bar / 330 bar / 360 bar
Operating pressure max. (PS)	420 bar
Filtered gas volume (nitrogen) When using a filter cartridge of the type shown in the figure.	52.500 m <sup>3</sup>

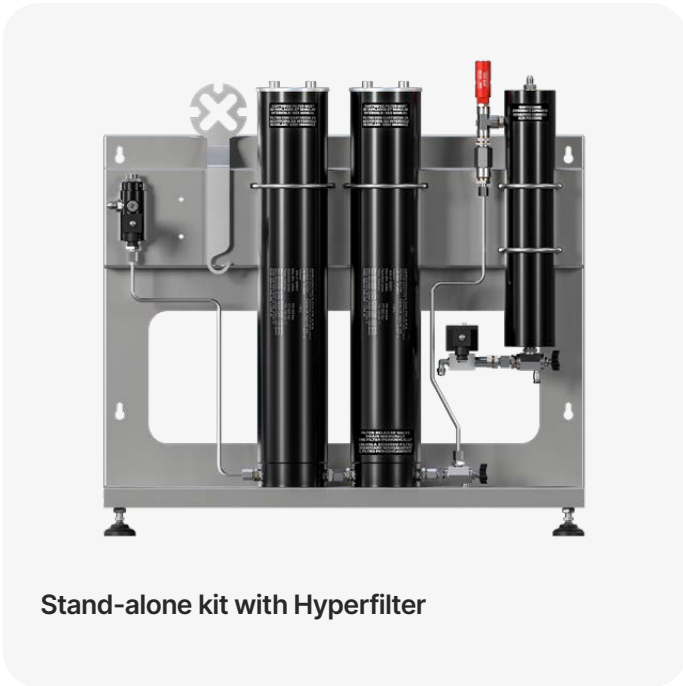
## Condensate separation system

- Interstage separator after 2nd stage, forged and anodized aluminum
- Double final separator for removal of oil/water condensate
- Final safety valve, mounted on the separator housing
- Pressure maintenance valve / non-return valve

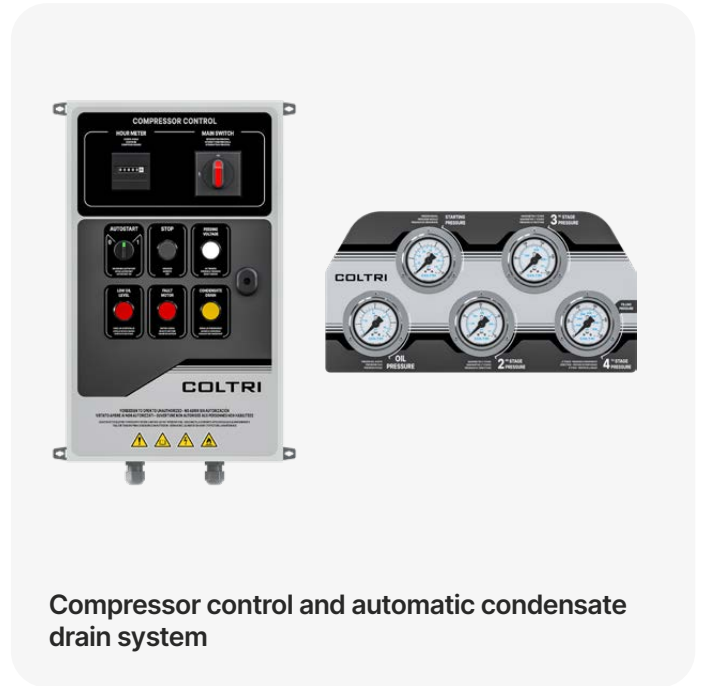


Contamination	Maximum content as per DIN EN 12021:2014	Gas quality*
Oil	0,5 mg/m	≤ 0,5 mg/m

\* Measured at our facility using ASCO HORA 160 ANALYZER.  
• Reported values exceed ISO 8573-1 standards.



Stand-alone kit with Hyperfilter



Compressor control and automatic condensate drain system



Automatic condensate drain



High pressure final condensate separator double effect

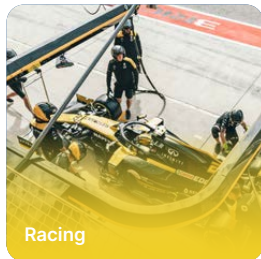
# Application fields



Diving



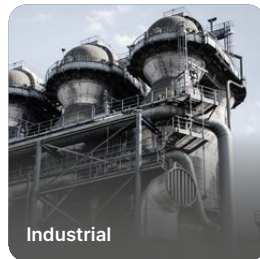
Paintball/PCP



Racing



Firemen



Industrial

## Aerotecnica Coltri S.p.A.

Via dei Colli Storici, 177  
25015 Desenzano del Garda - Brescia - Italy

Tel. +39 030 9910301  
+39 030 9910297

[info@coltri.com](mailto:info@coltri.com)



Printed on paper from  
sustainably managed forests



[coltri.com](http://coltri.com)

Visit our  
showroom in  
Virtual Reality



[coltri.com/showroom](http://coltri.com/showroom)



**COLTRI**<sup>®</sup>  
COMPRESSORS