

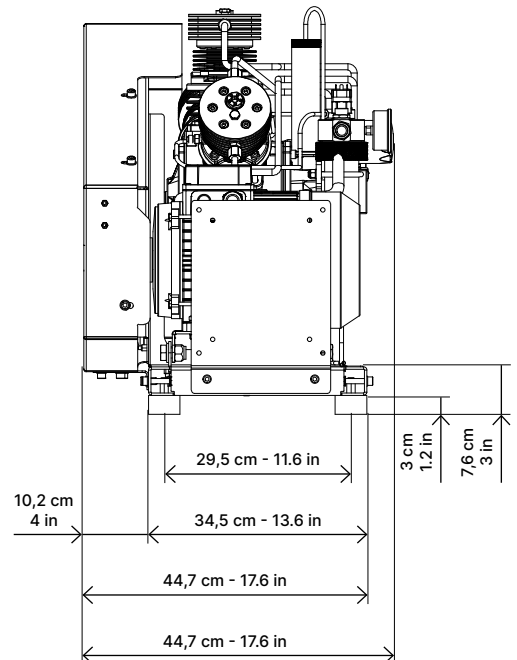
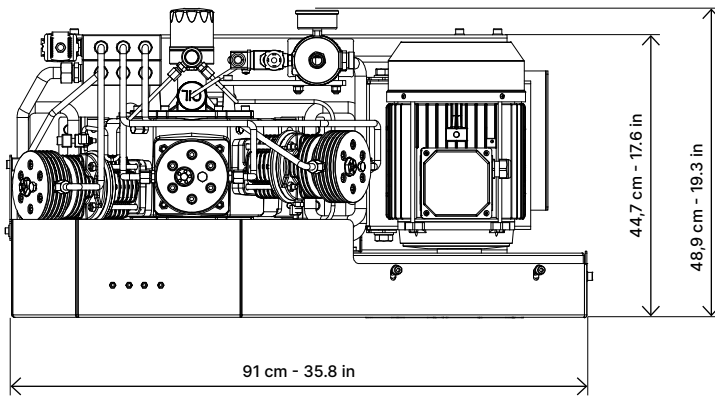
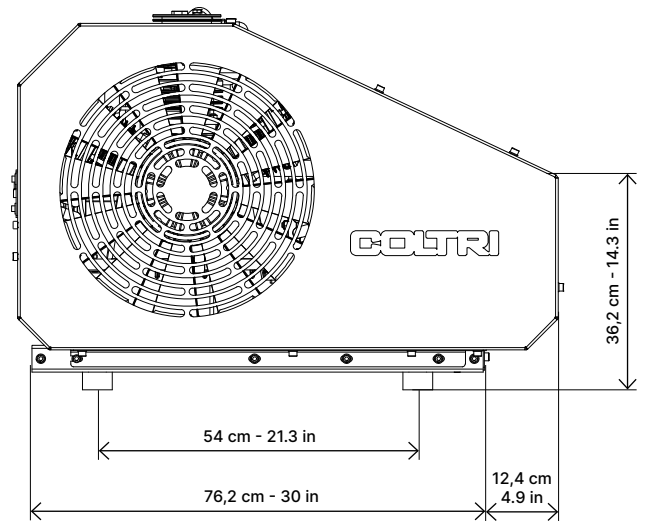
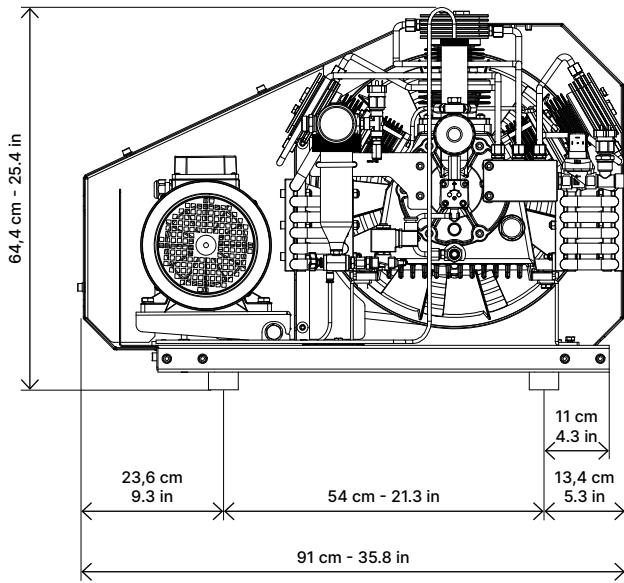
BOOSTER LINE

BOOSTER INDY I



Contact

Basic but powerful medium pressure booster



Technical data

Type of gas	Air - Nitrogen
Intake pressure*	Min. 2 bar Max. 8 bar
Working pressure	40 bar
Permissible ambient temperature range	-10° C ÷ +40° C
Max permissible tilt	15°
Oil	Synthetic Coltri Oil ST 755
Oil change interval	1 year / 1.000 h
Frame	Steel - Colour Black RAL 9005 - Powder coating painting - Scratch proof

* with a working pressure set at **40 bar / 580 psi** → minimum intake pressure = **4 bar / 58 psi**
 with a working pressure set at **30 bar / 435 psi** → minimum intake pressure = **3 bar / 43,5 psi**
 with a working pressure set at **25 bar / 362 psi** → minimum intake pressure = **2 bar / 29 psi**

Compressor

	7,5 KW
Flow rate	Min. 489 - Max. 1.466 l/min Min. 29.4 - Max. 88 m³/h Min. 17.3 - Max. 51.8 cfm
Cooling air flow	1.400 m³/h
Weight ¹	105 kg - 231.5 lb
Dimensions (W x D x H) ¹	103 × 44,7 × 61,7 cm - 40.5 × 17.6 × 24.3 in

¹ Standard model. Dimensions and weight may vary depending on accessories.

Electric motor

	7,5 KW	
Type	Three-phase electric	
Power	7,5 kW - 10 Hp	
Operating voltage/frequency <small>Different voltage / frequency available on request.</small>	400 V, 50 Hz	440 V, 60 Hz
Rated current	15 A	
Speed (RPM)	2.870	3.440
Protection class	IP55	

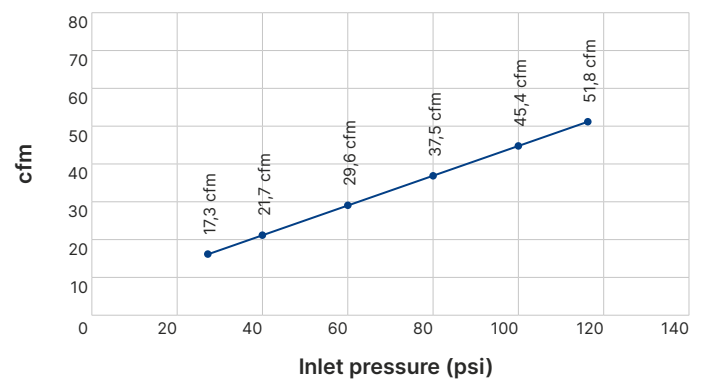
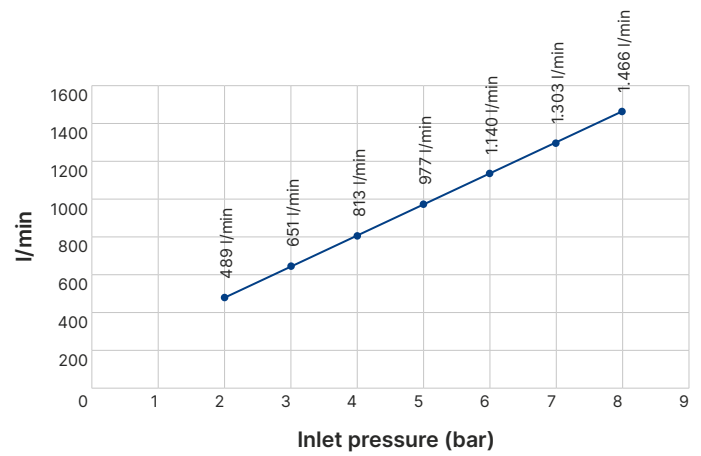
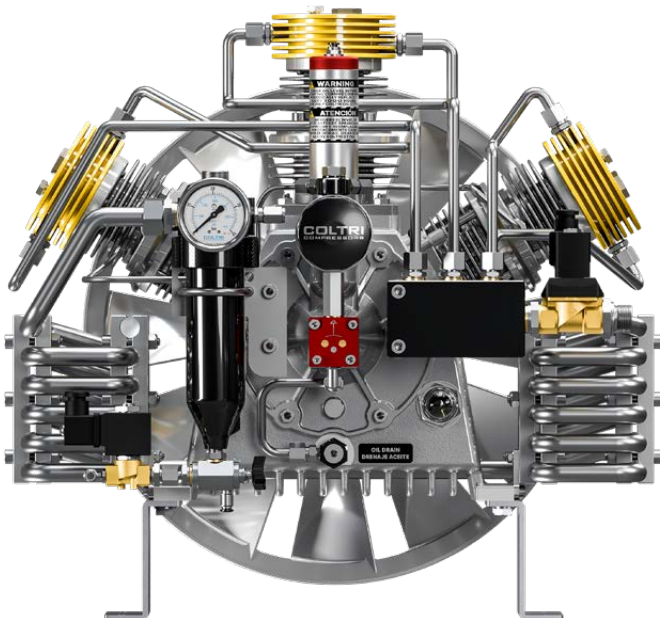
The IP55 protection class, compliant with IEC 60034-5, guarantees protection against dust deposits and water jets from any direction.

Technical data pumping unit MCH 16

7,5 KW

Intake pressure*	Min. 2 bar Max. 8 bar
Flow rate	Min. 489 - Max. 1.466 l/min Min. 29.4 - Max. 88 m ³ /h Min. 17.3 - Max. 51.8 cfm
Speed (RPM)	1.400
Number of stages	3
Number of cylinders	3
Cylinder bore	38 mm
Stroke	50 mm
Direction of rotation from flywheel side	Counter clockwise (left)
Drive type	V-belt A type
Oil sump capacity	1,8 liters

* with a working pressure set at 40 bar / 580 psi → minimum intake pressure = 4 bar / 58 psi
 with a working pressure set at 30 bar / 435 psi → minimum intake pressure = 3 bar / 43,5 psi
 with a working pressure set at 25 bar / 362 psi → minimum intake pressure = 2 bar / 29 psi



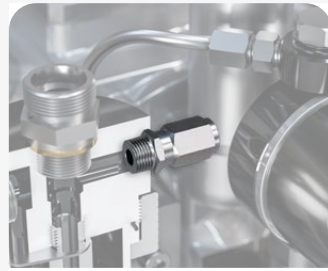
7,5 KW

l/min
cfm

Min. 489 - Max. 1.466
Min. 17,3 - Max. 51,8



Forced lubrication with low pressure gear pump



Final safety valve



Pipes, fitting and nuts in stainless steel AISI 316



Outlet temperature approx. 15 °C above cooling air temperature



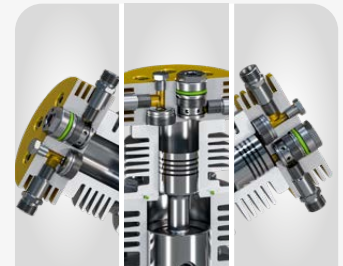
Die-cast aluminum cylinders with barrel coating in nicasil



Forged aluminum connecting rods



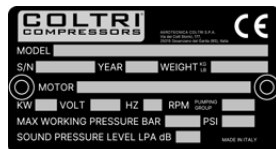
Forged steel crankshaft



Stainless steel stage valves



Roller Bearings for intensive work

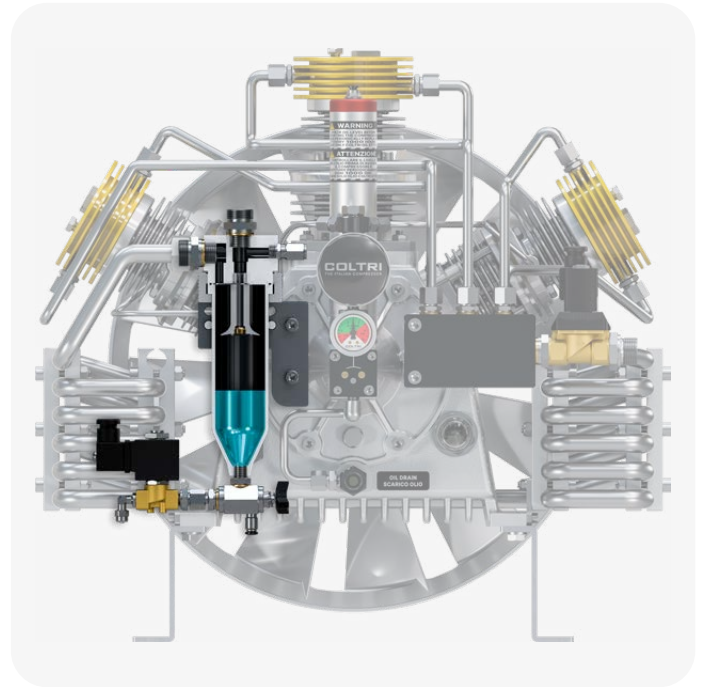
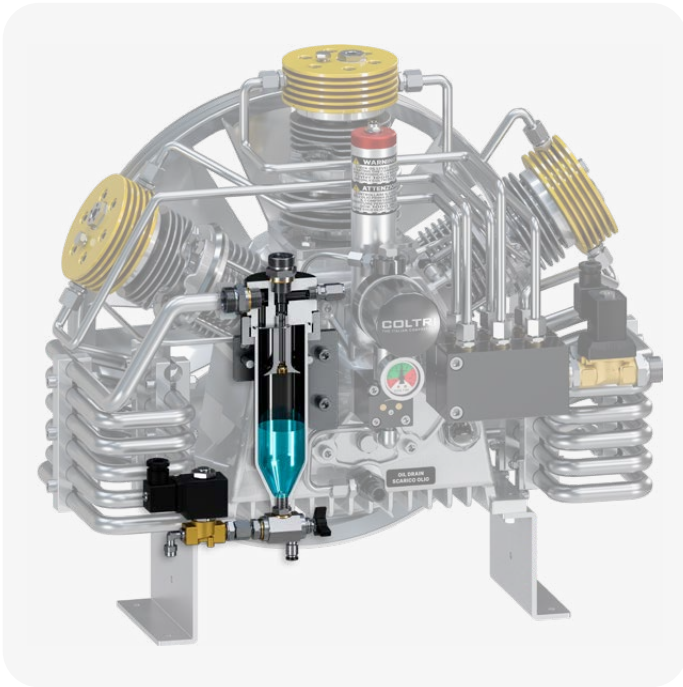


CE certification

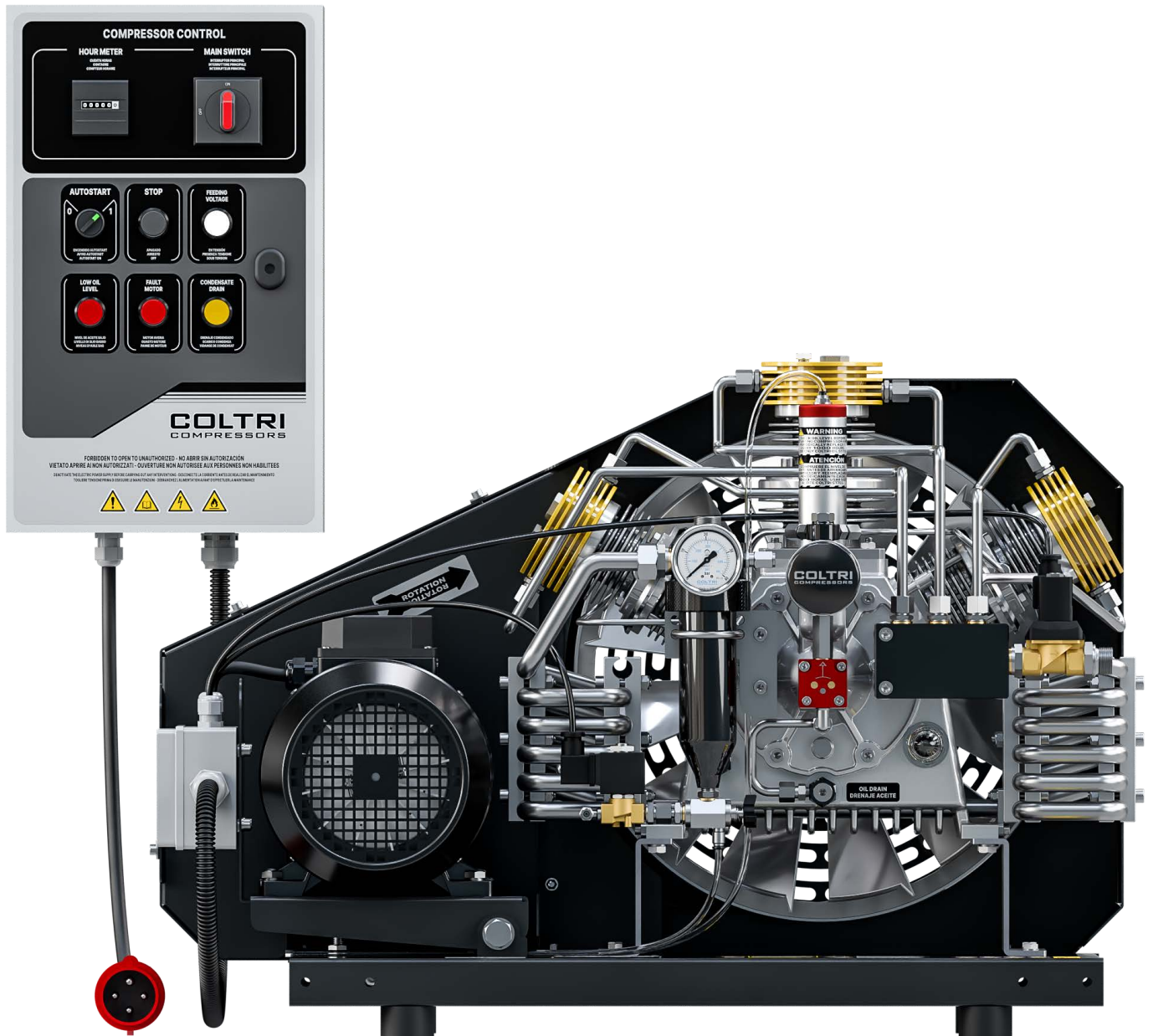
Standard equipment

Condensate separation system

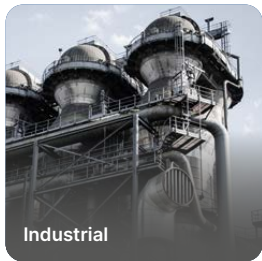
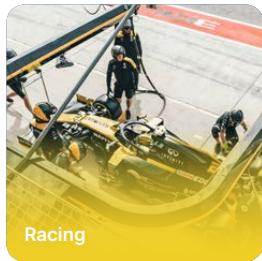
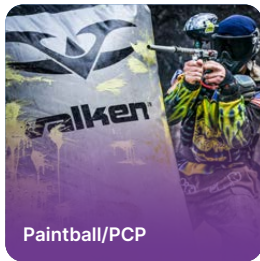
- Final separator for removal of oil/water condensate
- Final safety valve, mounted on the separator housing
- Automatic condensate drain



Electric control box with automatic condensate drain + auto shut-off + automatic restart



Application fields



Aerotecnica Coltri S.p.A.

Via dei Colli Storici, 177
25015 Desenzano del Garda - Brescia - Italy

Tel. +39 030 9910301
+39 030 9910297

info@coltri.com



Printed on paper from
sustainably managed forests



coltri.com



Visit our
showroom in
Virtual Reality



coltri.com/showroom

COLTRI[®]
COMPRESSORS