

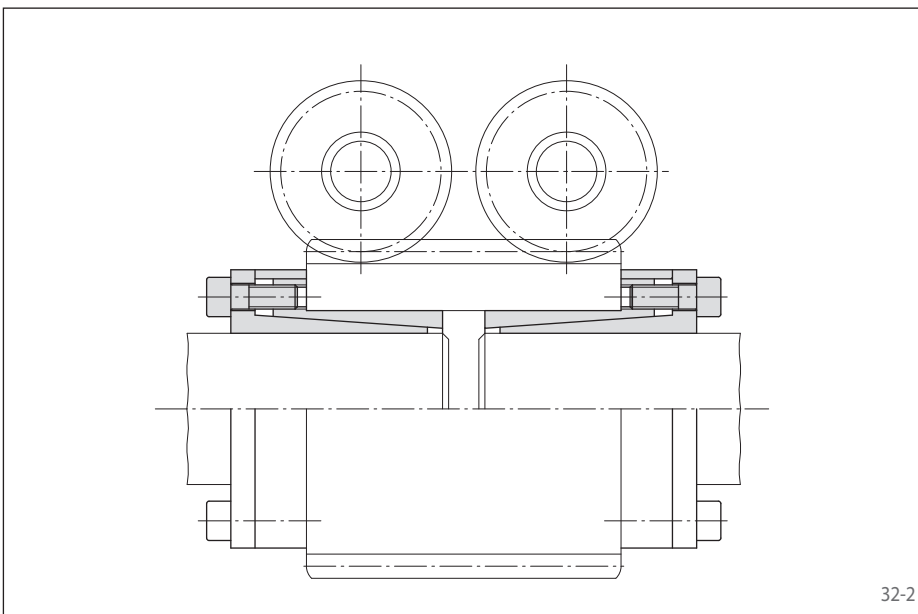
# Cone Clamping Elements RLK 110

centres the hub to the shaft  
radial flat height



## Features

- Centres the shaft to the hub
- High transmissible torques
- Radial flat height is particularly suitable for small hub outer diameters
- No axial displacement between hub and shaft during clamping procedure due to fixed backstop point
- Transmissible torque of 17 Nm up to 18 000 Nm
- For shaft diameters between 6 mm and 120 mm



## Application example

Backlash free connection of a screw gear and simultaneous coupling of the divided drive shaft of a continuous heating furnace with two Cone Clamping Elements RLK 110. A simple and cost-effective solution, because clamping the screw gear and coupling the shaft ends is achieved simultaneously by the Cone Clamping Elements.

## Transmissible torques and axial forces

The transmissible torques or axial forces listed on the following page are subject to the following tolerances, surface characteristics and material requirements. Please contact us in the case of deviations.

### Tolerances

- h8 for shaft diameter d
- H8 for hub bore D

### Surfaces

Average surface roughness at the contact surfaces between the shaft and the hub bore:  
 $R_z = 10 \dots 25 \mu\text{m}$ .

### Materials

The following apply to the shaft and the hub:

- E-module  $\geq 170 \text{ kN/mm}^2$

## Installation

Please request our installation and operating instructions for Cone Clamping Elements RLK 110.

## Simultaneous transmission of torque and axial force

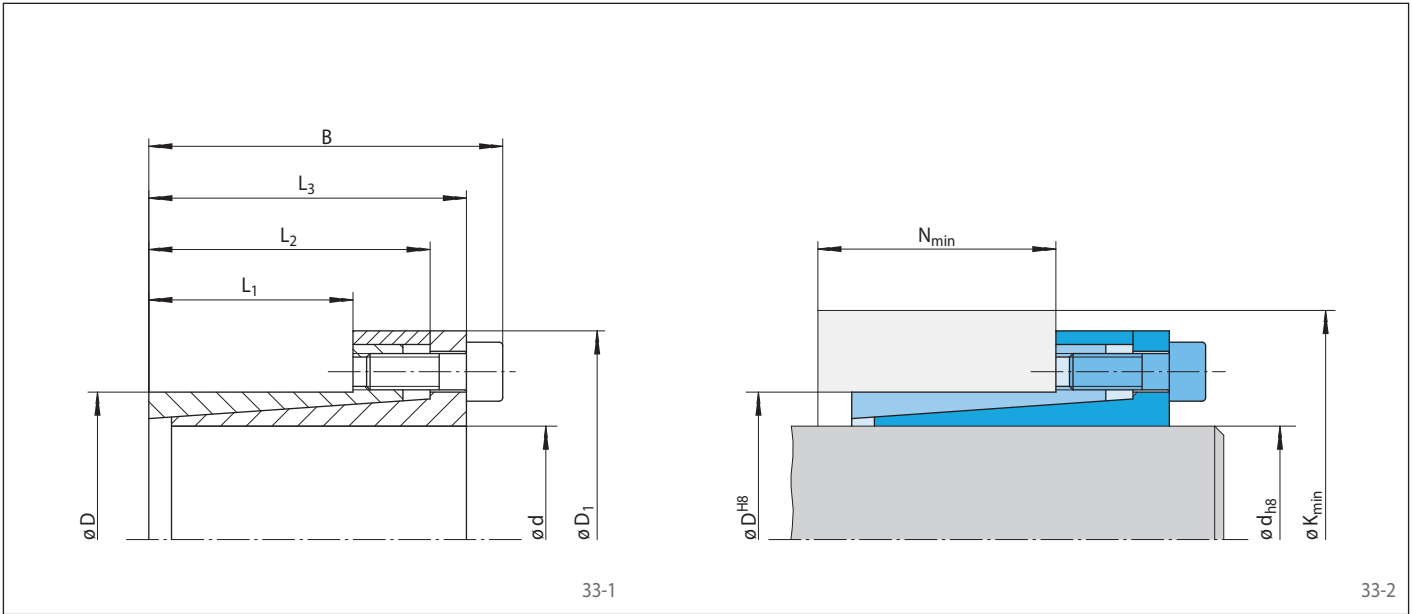
The transmissible torques M which are shown in the tables apply for axial forces  $F = 0 \text{ kN}$  and conversely, the indicated axial forces F apply to torques  $M = 0 \text{ Nm}$ . If torque and axial force are to be transmitted simultaneously, the transmissible torque and the transmissible axial force are reduced. Please refer to the technical points on pages 72 and 73.

## Example for ordering

Cone Clamping Element RLK 110 for shaft diameter  $d = 100 \text{ mm}$ :

- RLK 110, size 100 x 125  
Article number 4206-100001-000000

centres the hub to the shaft  
radial flat height



Dimensions														Technical Data						Article number		
Size		Yield strength $R_e$ of the hub material [N/mm <sup>2</sup> ]												Transmissible torque or axial force		Contact pressure at		Clamping screws			Weight	
d mm	D mm				200		320		500			M	F	Shaft $P_W$	Hub $P_N$	Tightening torque $M_5$	Number	Size	Length			kg
6	14	25	24	10	19	21	33	15	23	13	19	12	17	5,8	255	110	2,1	4	M 3	10	0,1	4206-006001-000000
8	15	27	29	12	22	25	38	18	26	15	21	14	31	7,8	216	115	5,1	3	M 4	10	0,1	4206-008001-000000
9	16	28	30	14	23	26	45	22	29	18	23	16	47	10	219	123	5,1	4	M 4	10	0,1	4206-009001-000000
10	16	29	30	14	23	26	45	22	29	18	23	16	52	10	197	123	5,1	4	M 4	10	0,2	4206-010001-000000
11	18	32	30	14	23	26	43	21	30	17	25	16	57	10	179	110	5,1	4	M 4	10	0,2	4206-011001-000000
12	18	32	30	14	23	26	43	21	30	17	25	16	62	10	164	110	5,1	4	M 4	10	0,2	4206-012001-000000
14	23	38	30	14	23	26	42	19	33	17	29	16	73	10	141	86	5,1	4	M 4	10	0,2	4206-014001-000000
15	24	44	42	16	29	36	84	31	52	23	38	20	180	24	261	164	17,4	4	M 6	18	0,2	4206-015001-000000
16	24	44	42	16	29	36	84	31	52	23	38	20	190	24	245	164	17,4	4	M 6	18	0,3	4206-016001-000000
17	26	47	44	18	31	38	75	31	49	24	38	21	200	24	205	134	17,4	4	M 6	18	0,3	4206-017001-000000
18	26	47	44	18	31	38	75	31	49	24	38	21	210	24	194	134	17,4	4	M 6	18	0,3	4206-018001-000000
19	27	48	44	18	31	38	73	30	49	24	39	21	220	24	184	129	17,4	4	M 6	18	0,3	4206-019001-000000
20	28	49	44	18	31	38	72	29	49	24	40	21	240	24	174	125	17,4	4	M 6	18	0,3	4206-020001-000000
22	32	54	51	25	38	45	58	32	45	29	40	27	260	24	114	79	17,4	4	M 6	18	0,3	4206-022001-000000
24	34	56	51	25	38	45	59	32	47	29	42	27	280	24	105	74	17,4	4	M 6	18	0,3	4206-024001-000000
25	34	56	51	25	38	45	59	32	47	29	42	27	300	24	101	74	17,4	4	M 6	18	0,3	4206-025001-000000
28	39	61	51	25	38	45	80	36	60	31	51	28	500	35	135	97	17,4	6	M 6	18	0,4	4206-028001-000000
30	41	62	51	25	38	45	80	35	61	30	53	28	530	35	126	92	17,4	6	M 6	18	0,4	4206-030001-000000
32	43	65	51	25	38	45	100	40	71	32	59	29	760	47	157	117	17,4	8	M 6	18	0,5	4206-032001-000000
35	47	69	56	30	43	50	90	41	69	36	60	34	830	47	120	89	17,4	8	M 6	18	0,5	4206-035001-000000
38	50	72	56	30	43	50	91	41	71	36	63	34	900	47	110	84	17,4	8	M 6	18	0,6	4206-038001-000000
40	53	75	56	30	43	50	92	40	74	36	65	33	940	47	105	79	17,4	8	M 6	18	0,6	4206-040001-000000
42	55	78	65	32	50	57	142	54	97	43	78	38	1800	86	171	130	42,2	8	M 8	22	0,9	4206-042001-000000
45	59	85	73	40	57	65	122	56	90	48	77	45	1950	86	128	97	42,2	8	M 8	22	1,0	4206-045001-000000
48	62	87	78	45	62	70	114	58	89	52	78	49	2050	86	106	82	42,2	8	M 8	22	1,0	4206-048001-000000
50	65	92	78	45	62	70	136	63	100	54	85	50	2700	110	128	98	42,2	10	M 8	22	1,3	4206-050001-000000
55	71	98	83	50	67	75	129	65	101	58	88	55	3000	110	104	81	42,2	10	M 8	22	1,5	4206-055001-000000
60	77	104	83	50	67	75	131	64	106	58	94	55	3200	110	96	75	42,2	10	M 8	22	1,7	4206-060001-000000
65	84	111	83	50	67	75	135	63	112	57	101	55	3500	110	88	69	42,2	10	M 8	22	1,9	4206-065001-000000
70	90	119	101	60	80	91	166	79	129	70	113	66	5900	170	108	84	83,0	10	M 10	25	2,9	4206-070001-000000
75	95	126	101	60	80	91	168	79	133	70	117	66	6400	170	101	80	83,0	10	M 10	25	2,3	4206-075001-000000
80	100	131	106	65	85	96	184	86	143	76	125	72	8200	200	104	84	83,0	12	M 10	25	3,3	4206-080001-000000
85	106	137	106	65	85	96	186	85	148	76	131	72	8700	200	98	79	83,0	12	M 10	25	3,6	4206-085001-000000
90	112	143	106	65	85	96	218	92	167	79	143	73	11500	250	116	93	83,0	15	M 10	25	4,0	4206-090001-000000
95	120	153	106	65	85	96	219	90	173	79	151	73	12100	250	110	87	83,0	15	M 10	25	4,5	4206-095001-000000
100	125	162	114	65	89	102	245	95	188	81	161	74	15000	300	123	98	144,0	12	M 12	30	5,5	4206-100001-000000
110	140	180	140	90	114	128	217	110	182	101	165	97	16500	300	81	64	144,0	12	M 12	30	8,0	4206-110001-000000
120	155	198	140	90	114	128	228	109	196	101	180	97	18000	300	74	57	144,0	12	M 12	30	10,5	4206-120001-000000