



DEFENCE & FUEL

Military Pumping Systems - Practical Solutions

PROVEN TECHNOLOGY

DESMI

DEFENCE & FUEL

DESMI designs and builds liquid handling solutions used by military forces and navies around the globe.

DESMI is an integrated pump system supplier offering an extensive pump range, including first-class commercial and military off-the-shelf products.

We supply tailormade pumping solutions combined with equipment from other world class suppliers and deliver a complete range of pumping solutions on board any navy or coast guard vessel.



Three Iver Huitfeldt Class frigates with DESMI pumps on board.

DEFENCE - NAVY SHIPS

DESMI has a long history of providing pumping solutions for military applications, not least within the naval sector. The demand for equipment reliability under adverse conditions has made our solutions the choice of many navies.

Our range includes more than 100 pump types and we do not compromise when it comes to product applications. We have products in our portfolio that fulfil most client expectations.

- We understand the technical requirements and applications of navies
- We choose materials that suit the specific applications
- Our pumps are available in fully shock rated design
- We supply pumps for fully submerged use in action damaged compartments
- Our field engineers evaluate pump and system requirements on site



With their Excellent Quality and Durability, our Products adapt well to the Additional Requirements in Naval Applications

The DESMI design team adapts our standard range to Military Off-The-Shelf (MOTS) equipment, meeting the clients' shock requirements.

We 3-D model the equipment according to contract requirements – and our project management includes the provision of test certification and integrated logistics support documentation.



MOTS - Military Off-the-Shelf Pumps



Shock Rated Engine Room Pumps



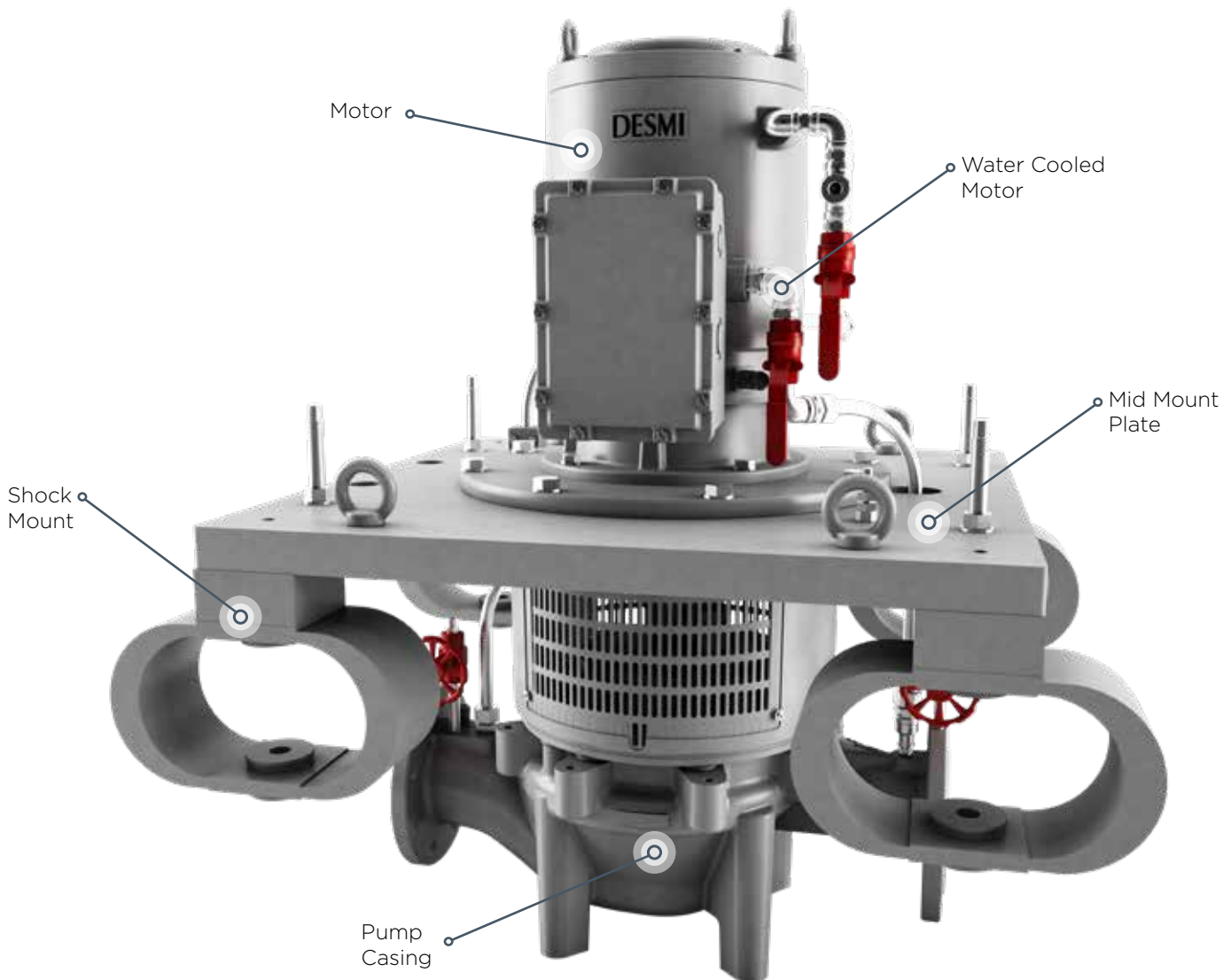
Helicopter Refueling Systems



SHOCK RATED PUMPS

DESMI has a clear understanding of naval technical requirements and applications when it comes to pumps and systems. We select the correct materials and design for each individual application - for example bilge, fire, ballast, general service, cooling, fuel and lube oil transfer, to name just a few.

Any of these pump applications can be supplied fully shock rated and for fully submerged operation in compartments that are vulnerable to 'action' damage.



Made to Withstand Shock and Remain in Operation both Before, Under, and After a Shock Impact

All DESMI centrifugal pumps are available in shock rated design. The pumps are made to survive and it is crucial that these pumps are working in order to bring the sailors back home safely. They are made to withstand shock and remain in operation both before, under, and after a shock impact.



Shock Rated Engine Room Pump



DIESEL-DRIVEN EMERGENCY FIRE PUMPS

DESMI fire fighting pumps cover the range from commercial standard electrically driven fire pumps to fully shock approved diesel-driven emergency fire pumps for high-end navy fire applications.

The diesel engine provides power to both the fire pump and a hydraulic pump. The hydraulic pump runs a hydraulic motor and a water feed pump, which lifts the water into the fire pump.

Shock Rated Diesel-driven Emergency Fire Pump - DES100

These pump units are designed to withstand the rough life at sea and to be ready for action at all times. Even after the ship has been exposed to shock. Capacity is 100 m³/h at 7 bar



High Performance - Easy Fire Protection All Working just by Pushing 'Start'

Portable Emergency Diesel-Driven Fire Pump - SP-D3-2

First-class pump solution with a capacity of 40 m³/h at 7 bar. Low magnetic signature and designed especially for a life at sea. Weight is 65 kg.



Diesel Hydraulically Driven
Emergency Fire Pump



Customised Emergency
Fire System



HELICOPTER REFUELING

The DESMI refueling systems are intended for use in both the military and commercial sectors. DESMI is the preferred supplier of systems for both fixed and rotary wing aircrafts. Each system is specifically designed for pumping, filtering and dispensing fuel for military and naval use and will at all times deliver dry clean fuel at the end of the nozzle.

The ship-based helicopter refueling system is used for pressure and gravity fueling of aircrafts on board naval vessels. And the system is also fitted with a facility to defuel the aircrafts. The refueling system comprises a 'pump and filtration module', a 'dispenser module', and the electrical and mechanical control system which can be interfaced to the ship's control system.



Pump and Filtration Module

The pump and filtration module consists of filter water separators and DESMI ROTAN® positive displacement fuel pumps.

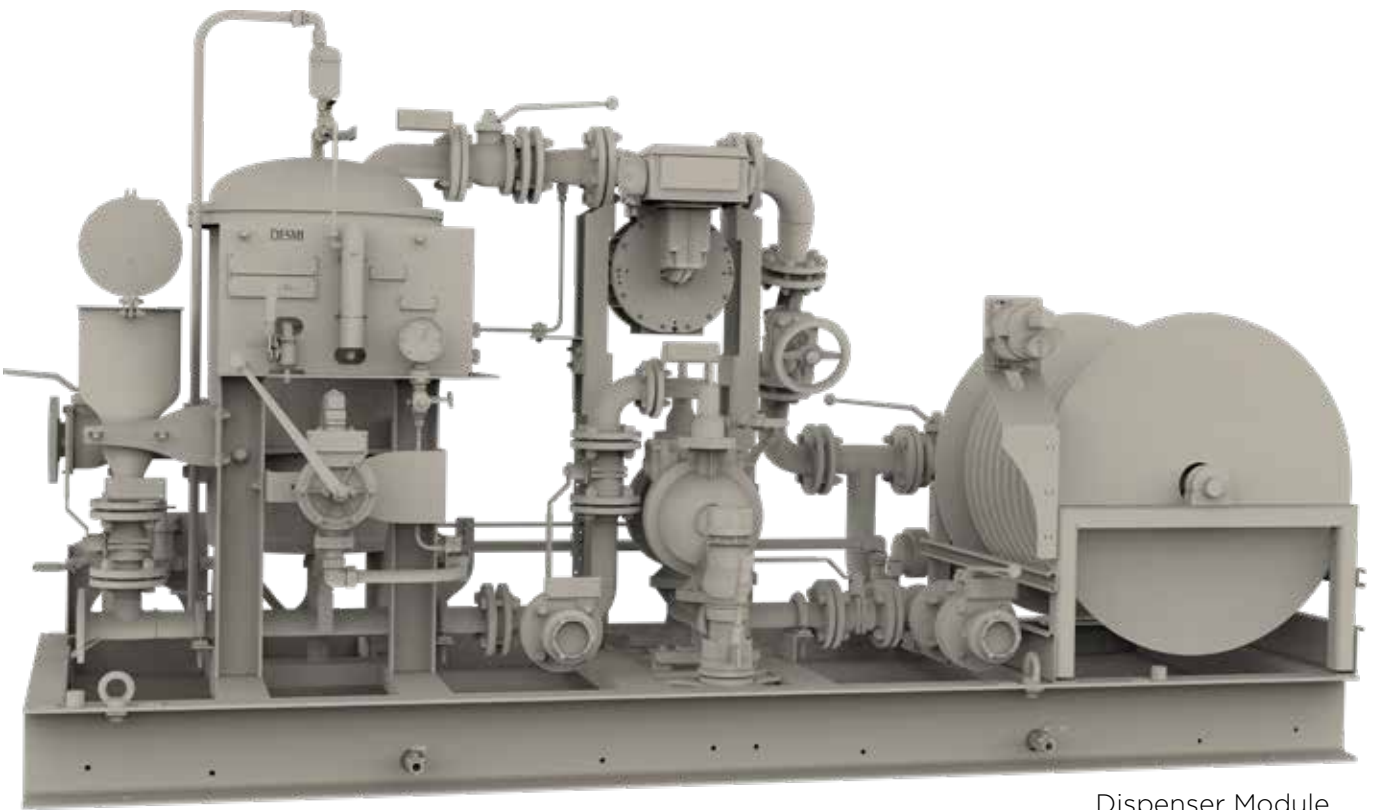
The twin pump refueling system has built-in redundancy for maximum reliability. The service and transfer pumps and filter water separator duties are fully interchangeable by use of valves.

All DESMI aviation fuel systems will be adapted to specific customer needs to ensure that the best possible option is selected for the job.

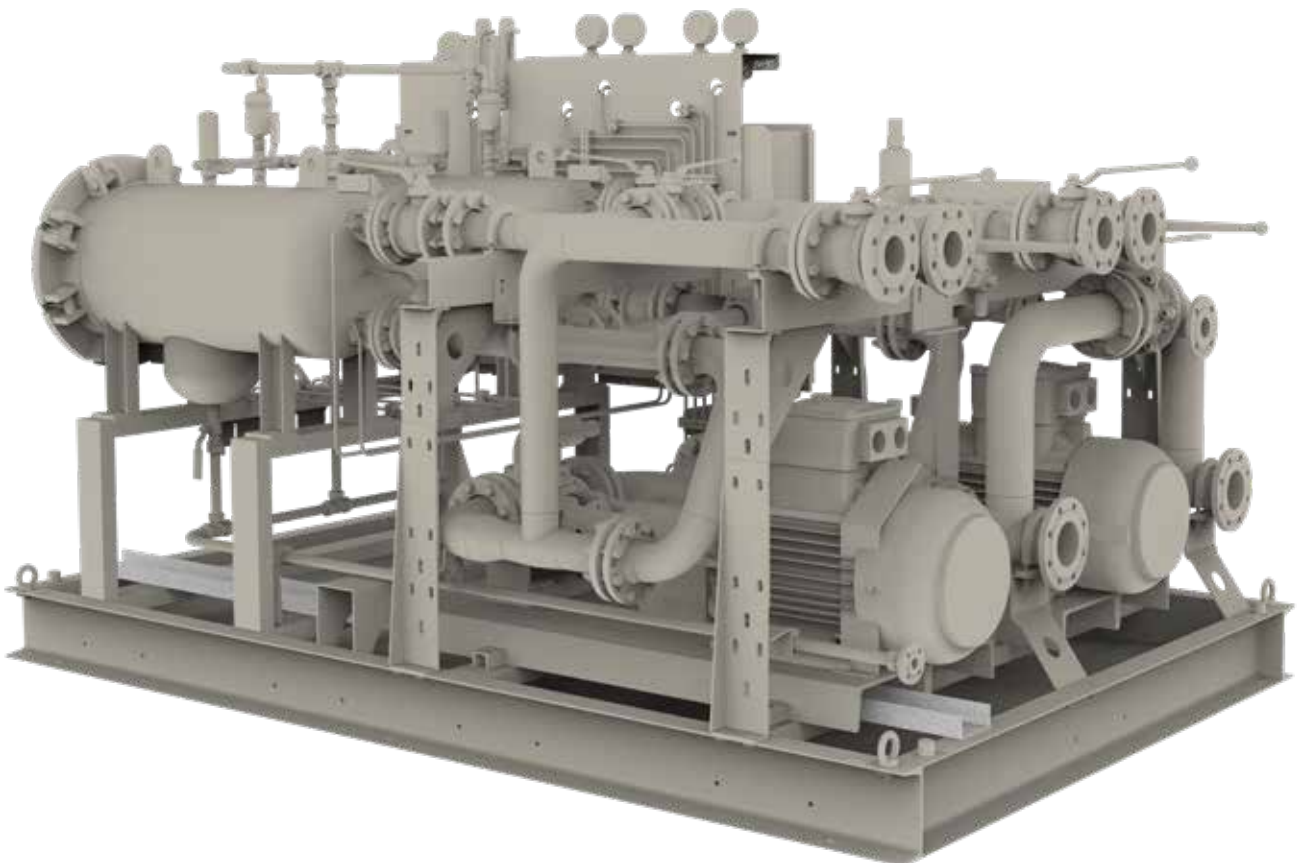
Dispenser Module

The dispenser module consists of a mechanical meter, defueling pump, hose, hose reel, pressure refueling nozzle, gravity refueling nozzle, and an optional filter water absorber.

A Helicopter In-Flight Refueling (HIFR) unit can be connected to the pressure refueling nozzle hose or a deck-mounted connection on the flight deck.



Dispenser Module



Pump and Filtration Module

SPECIAL PUMPING SOLUTIONS

For many years DESMI has supplied pumps and pumping solutions for the naval industries.

Such as:

- Helicopter wash down booster pumps
- Airfield fuel pipeline pumps
- Diesel hydraulically driven fire pumps
- Hot fresh water modules
- Aircraft carrier refueling systems
- Energy saving systems for navy ships
- Heeling and anti-heeling system
- Hydrophore sets
- and much more for navy ships around the world.

Our list of references include:

- Iver Huitfeldt Class, DK
- Queen Elizabeth Class, UK
- Mars Tankers
- Etc.

Airfield Fuel Pipeline Pump

Diesel-driven fuel pump for bulk fuel installation in remote areas.
120 m³/h at 6 bar in explosion-proof design.



Customised or Tailormade
- DESMI Provides the Solution needed for any Naval Ship

**Customised Helicopter
Refueling System**

To fit predefined envelope



OptiSave™
Energy Saving System



Aircraft Carrier Refueling
System



Helicopter in Flight
Refueling System



Our Dedicated Global DESMI Service Team delivering Local Service



The efficient and reliable operation of DESMI products is a requirement of both the customer and DESMI. In this regard, the DESMI Service Team supports and enhances these operations on a global scale.

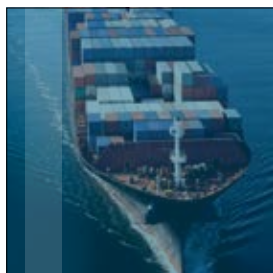
The DESMI Service Team is factory-trained and available to meet both your technical and practical demands.

The DESMI Service Team also offers customized programmes to meet specific client requirements and be your partner of choice. In case of emergency breakdowns, we send pumps and equipment within 48 working hours or access our global parts database and make the equipment operational in the shortest possible time.

DESMI Service Team supports a working culture based on an appropriate respect for health, safety, and environmental issues.

DESMI is a global company specialising in the development and manufacture of pump solutions for marine, industry, oil spill combating, defence & fuel and utility both locally and globally. Our product range - supplemented with agency products from other leading world-class manufacturers - is complemented by related services such as the design and installation of pumping systems, oil spill recovery packages, and a first class after-sales service which can include full technical support, commissioning and product training.

DESMI equipment is sold to more than 100 countries via a network of subsidiaries and distributors on six continents.



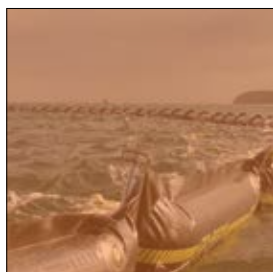
MARINE & OFFSHORE

Thousands of DESMI pumps are at work on the seven seas, and these pumping solutions are living proof that our customers are satisfied with the performance of our products. For more than 50 years we have supplied marine pumps to the world's fleet - from the largest container ships to the smallest fishing vessels. Regardless the size of the ship we know the owners' demands for many years of trouble-free operation. In recent years we have also taken on the supply for offshore installations worldwide.



INDUSTRY

The key factors in all areas of the process industry are reliability, productivity and performance of the production plant. These are precisely the parameters addressed by the DESMI range of products, systems and services for the industry segment.



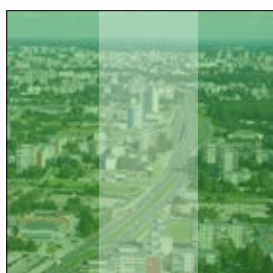
OIL SPILL RESPONSE

The oil spill response solutions from DESMI are trusted in the industry. Whether your requirement is for offshore or the shoreline area, the arctic or equatorial environment, we continue to deliver proven solutions for all spill conditions - and we offer the very best life cycle costs.



DEFENCE & FUEL

Utilising products from other world class equipment suppliers to complement the extensive DESMI pump range, DESMI designs and builds liquid handling solutions used by military forces around the globe. Based on many years' experience with systems suitable for working under austere conditions, we provide total liquid management - from project management and systems integration to procurement and logistics planning.



UTILITY

DESMI provides pumps and pump solutions for the supply of domestic water, district heating/cooling and waste water. Operational reliability, energy optimization and service-friendliness are essential headlines for a business that services cities, buildings and not least people.

Your DESMI contact for Defence & Fuel

DESMI offices:

Africa

DESMI Africa Ltd.
Tel.: +255 757597827

Canada

DESMI Inc.
Tel.: +1 905 321 3471

China

DESMI Pumping Technology (Suzhou) Co., Ltd.
Tel.: +86 512 6274 0400

DESMI Pumping Technology (Suzhou) Co., Ltd.
Shanghai Liaison Office
Tel.: +86 21 6071 06 00-05, 6071 06 07-13

DESMI Pumping Technology (Suzhou) Co., Ltd.
Tianjin Liaison Office
Tel.: +86 22 2317 0467

DESMI Pumping Technology (Suzhou) Co., Ltd.
Guangzhou Liaison Office
Tel.: +86 20 2831 3973

DESMI Pumping Technology (Suzhou) Co., Ltd.
Chongqing Liaison Office
Tel.: +86 23 8823 3518

DESMI Pumping Technology (Xuancheng)
Co., Ltd.
Tel.: +86 563 2612 570

Denmark

DESMI A/S - Group Head Quarter
Tagholm 1
DK-9400 Nørresundby
Tel.: +45 96 32 81 11

DESMI Pumping Technology A/S
Tel.: +45 96 32 81 11

DESMI Danmark A/S
Tel.: +45 72 44 02 50

DESMI Contracting A/S
Tel.: +45 96 32 81 11

DESMI Ro-Clean A/S
Tel.: +45 65 48 16 10

DESMI Ocean Guard A/S
Tel.: +45 96 32 81 99

Ecuador

DESMI Latinoamerica S.A.
Tel.: +593 2 326 1939

France

DESMI SARL
Tel.: +33 130 439 710

Germany

DESMI GmbH
Tel.: +49 407 519847

Greece

DESMI Greece
Tel.: +30 214 111 893

India

DESMI India LLP
Tel.: +91-99 4933 9054

Indonesia

DESMI Ro-Clean APAC
Tel.: +62 21 570 7577

Korea

DESMI Korea
Tel.: +82 51 723 8801

Netherlands

DESMI B.V.
Tel.: +31 30 261 00 24

Norway

DESMI Norge AS
Tel.: +47 38 12 21 80

Peru

DESMI PERÚ
Tel.: +51 980 306 227

Poland

DESMI Sp. z o.o.
Tel.: +48 22 676 91 16

Singapore

DESMI Singapore Pte Ltd.
Tel.: +65 62 50 71 77

Sweden

DESMI Sweden
Tel.: +46 31 304 51 30

UAE

DESMI Pumping Technology A/S (Br)
Dubai Office
Tel.: +971 4 501 5530

Abu Dhabi Office
Tel.: +971 50-821 4979

U.K.

DESMI Ltd.
Tel.: +44 1782 566900

DESMI FHS Ltd.
Tel.: +44 1782 566900

USA

DESMI Inc.
Tel.: +1 757 857 7041

- DESMI Companies
- DESMI Dealers/Agents

Need more information or specifications? Contact us at desmi@desmi.com or read more about DESMI and DESMI's other products and solutions at www.desmi.com

MARINE & OFFSHORE

INDUSTRY

OIL SPILL RESPONSE

DEFENCE & FUEL

UTILITY