

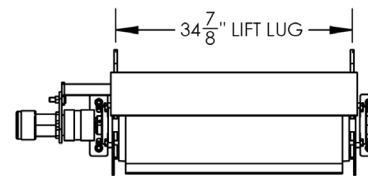
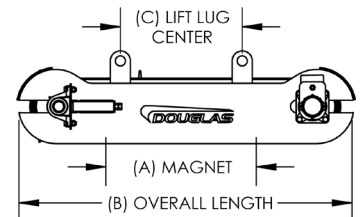
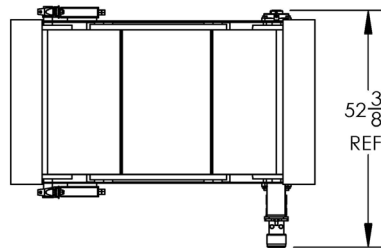
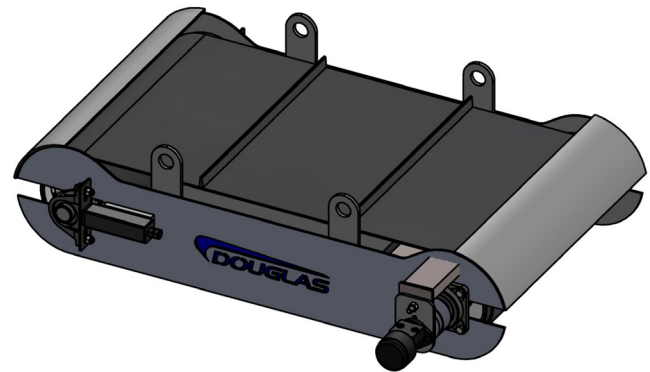
# THE INTERCEPTOR™

## SELF-CLEANING PERMANENT MAGNETIC SEPARATOR FOR PORTABLE EQUIPMENT

### Equipped with Hydraulic Drive

Newly designed self-cleaning magnet is lightweight, and powerful, and is built to perform.

- Designed specifically for portable plants
- Compact and lightweight
- Automatically discharges tramp metal away from the conveyor
- Suspension height up to 12" from belt top cover
- Complete with CEMA class vulcanized lagged crown face pulleys
- Standard with slide tube belt take-ups
- Heavy duty rubber cover belt standard with hot vulcanized cleats (optional armor clad belt)
- Shipped complete, factory test run and ready for installation
- Equipped with a low speed/high torque hydraulic drive (optional electric drive)



Model	A	B	C	Est. Weight
CB0-24-HYD	24	63	18-1/4	1700
CB0-30-HYD	30	68	24-1/4	1900
CB0-36-HYD	36	74	30-1/4	2100

All dimensions and specifications subject to change without notice. Certified dimensions and specifications of ordered material available on request.

**PULLEYS • IDLERS • TAKE-UPS • IMPACT BEDS • MAGNETICS**



Visit us at [douglasmanufacturing.com](http://douglasmanufacturing.com)  
 Contact us 205-884-1200 or [sales@douglasmanufacturing.com](mailto:sales@douglasmanufacturing.com)

Copyright © 2022 Douglas Manufacturing Co., Inc. All Rights Reserved.



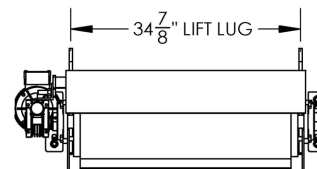
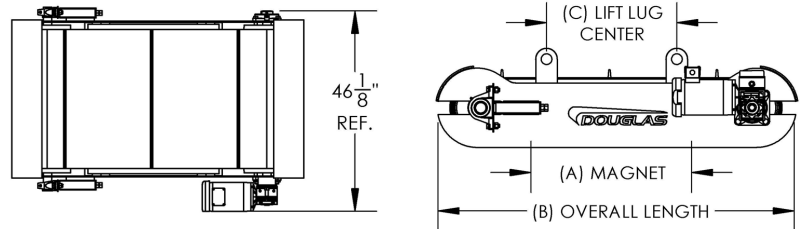
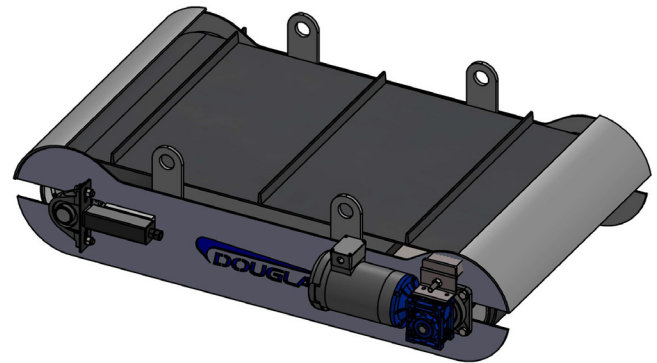
# THE INTERCEPTOR™

## SELF-CLEANING PERMANENT MAGNETIC SEPARATOR FOR PORTABLE EQUIPMENT

### Equipped with Electric Drive

Newly designed self-cleaning magnet is lightweight, and powerful, and is built to perform.

- Designed specifically for portable plants
- Compact and lightweight
- Automatically discharges tramp metal away from the conveyor
- Suspension height up to 12" from belt top cover
- Complete with CEMA class crown face pulleys with vulcanized lagging
- Standard with slide tube belt take-ups
- Heavy duty rubber cover belt standard with hot vulcanized cleats (optional armor clad belt)
- Shipped complete, factory test run and ready for installation
- CLASS II shaft mount gear drive with TEFC motor (optional hydraulic drive)



Model	A	B	C	Est. Weight
CB0-24-ELT	24	63	18-1/4	1700
CB0-30-ELT	30	68	24-1/4	1900
CB0-36-ELT	36	74	30-1/4	2100

All dimensions and specifications subject to change without notice. Certified dimensions and specifications of ordered material available on request.

**PULLEYS • IDLERS • TAKE-UPS • IMPACT BEDS • MAGNETICS**



Visit us at [douglasmanufacturing.com](http://douglasmanufacturing.com)  
 Contact us 205-884-1200 or [sales@douglasmanufacturing.com](mailto:sales@douglasmanufacturing.com)

Copyright © 2022 Douglas Manufacturing Co., Inc. All Rights Reserved.

MADE IN THE USA



SINCE 1978