



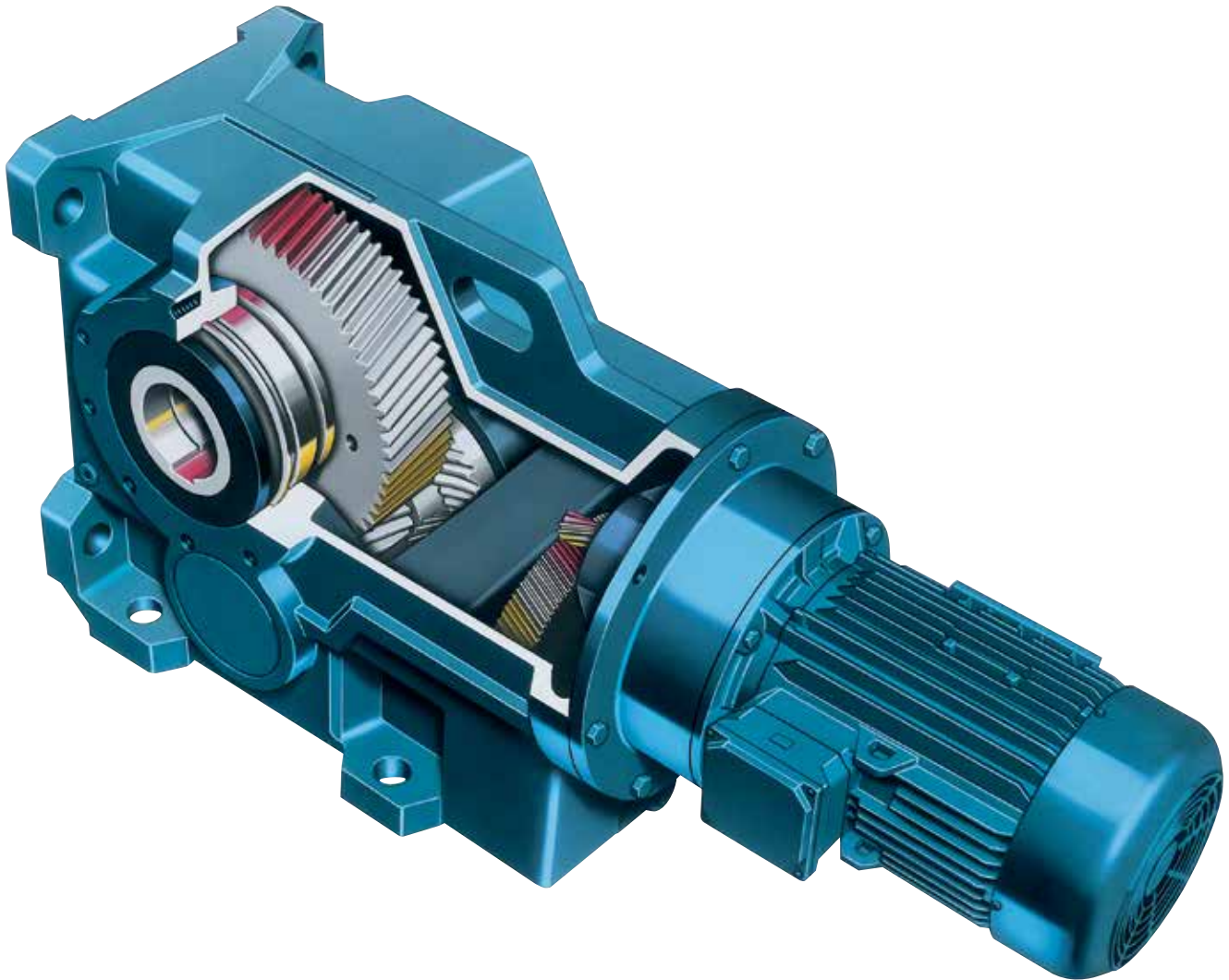
# Falk Ultramite UB Right Angle Helical Bevel Gear Drive

(Inch)



---

# Falk Ultramite UB Right Angle Helical Bevel Gear Drive



---

To learn more about the Falk® Ultramite® UB Right Angle Helical Bevel Gear Drive and the rest of the Falk Ultramite family of products, go to [www.rexnord.com](http://www.rexnord.com), where you'll find:  
Product information • Brochures • Catalogs • Manuals  
866-REXNORD/866-739-6673 (toll-free within the U.S.) or 414-643-2366 (Outside the U.S.)

---



---

## Table Of Contents

DESCRIPTION	PAGE
Falk Ultramite Basic Information . . . . .	4
Conditions Affecting Selections . . . . .	5
UB — Drive Nomenclature . . . . .	6
UB — How to Select and Order Gearmotors . . . . .	7
UB — How to Select and Order Gear Drives . . . . .	8
Service Factors . . . . .	9, 10
UB — Exact Ratios . . . . .	11
UB — Drive Mounting Position . . . . .	12
Motor Mounting Position . . . . .	12
UB — Output Shaft Options . . . . .	13
Motor Detail (NEMA C-Face) . . . . .	14
UB — Motor Adapters . . . . .	15, 16
<b>GEARMOTORS</b>	
UB — Gearmotor Selection Table . . . . .	17 - 40
UB — Triple Reduction Gearmotor/Basic Drive . . . . .	41
UB — Quintuple Reduction Gearmotor/Basic Drive . . . . .	42
UB — Triple Reduction Gearmotor/TA Taper Bushing . . . . .	43
UB — Quintuple Reduction Gearmotor/TA Taper Bushing . . . . .	44
UB — Helical Bevel Gearmotor and Gear Drive/TA Taper Bushing . . . . .	45, 46, 47
<b>TECHNICAL DATA — GEARMOTORS &amp; GEAR DRIVES</b>	
UB — Overhung Loads . . . . .	48
UB — Gear Drive HSS Overhung Load Ratings . . . . .	49
UB — Gearmotor & Gear Drive LSS Overhung Load Ratings . . . . .	49
UB — Gearmotor & Gear Drive LSS Thrust Loads . . . . .	49
UB — Gearmotor & Gear Drive Moments of Inertia . . . . .	50
<b>GEAR DRIVES</b>	
UB — Gear Drive Horsepower and Torque Ratings . . . . .	51 - 54
UB — Basic Thermal Horsepower Ratings . . . . .	55
UB — Gear Drive Part Numbers . . . . .	56 - 59
UB — Triple Reduction Basic Gear Drive . . . . .	60
UB — Quintuple Reduction Basic Gear Drive . . . . .	61
UB — Triple Reduction Gear Drive/TA Taper Bushing . . . . .	62
UB — Quintuple Reduction Gear Drive/TA Taper Bushing . . . . .	63
<b>ACCESSORIES AND SHIPPING WEIGHTS</b>	
UB — Accessories . . . . .	64 - 70
UB — Approximate Shipping Weights . . . . .	71

---

## Falk Ultramite Basic Information

### Safety Notes

**Falk Gear Drives** — The Falk and Rexnord name on the gear drive is the purchaser's assurance that the drive was engineered, rated and manufactured to sound design practices.

The power supplied to the geared drive must be equal to or less than the power for which the drive was selected, using the appropriate service factor for the application. The customer must also assume the responsibility of isolating the geared drive from any vibratory or transient load induced by the driven equipment.

Install and operate Rexnord products in conformance with applicable local and national safety codes and per Rexnord installation manuals which are shipped with gear drives and are also available upon request. Suitable guards for rotating members may be purchased from Rexnord as optional accessories. Consult your local Rexnord representative for complete details.

**People Conveying Equipment** — Selection of Rexnord gear drives for applications whose primary purpose is the transportation of people is not approved. This includes such applications as freight or passenger elevators, escalators, man lifts, work-lift platforms, and ski tows and ski lifts.

If the primary purpose of the application is material conveyance and occasionally people are transported, the Rexnord warranty may remain in effect, provided the design and load conditions are not exceeded and certification to the appropriate safety codes and load conditions has been obtained by the system designer or end user from the appropriate enforcement authorities.

### Gear Drive Ratings

All gear drive ratings in this catalog allow 100% overload for starting loads and momentary overloads for electric-motor-driven applications operating ten hours per day under uniform conditions. For other conditions, compute an equivalent horsepower by multiplying the actual horsepower required for the application by the appropriate service factor.

**Gear Drive Identification** — Tables in this catalog identify gear drives based on the drive nomenclature.

**Horsepower & Torque/Gearmotor Drives** — Gearmotor drive mechanical horsepower and delivered torque ratings are tabulated only at 1750 rpm. Horsepower, output torque and LSS OHL ratings for gearmotor drives do not always correspond to those of the comparable inline gear drive of the same size, reduction and ratio. In selected cases the gearmotor drive will have more rating than the corresponding inline gear drive. When additional rating for gearmotor drives at 1750 rpm input is available, it will be as stated in the Gearmotor Selection Tables. For gearmotor drive ratings at input speeds other than 1750 rpm, consult the Factory.

**Horsepower & Torque/Gear Drives** — Gear drive mechanical horsepower and output torque ratings are tabulated in the catalog to permit selections for specific application requirements. When the required input speed falls between two tabulated input speeds of a specific drive designation (size, reduction and ratio), interpolate to determine drive rating.

**Lubricants** — Drive Sizes 03, 04, 05, 06 & 07UB will be supplied filled with a quantity of EP mineral oil suitable for the drive mounting position specified at the time of the order.

Drive Sizes 08, 09, 10 & 12UB are supplied without lubricant. The appropriate fill quantities and lubricant recommendations are stated in Manual 288-400.

**Stored & Inactive Gear Drives** — Each gear drive is protected with rust preventive that will protect parts against rust for a period of six months in an indoor dry shelter.

Sizes 03 thru 12UB — If a gear drive is to be stored, or is inactive after installation beyond the above periods, drain oil from housing and spray all internal parts with a rust preventive oil that is soluble in lubricating oil or add Motorstor<sup>®</sup> vapor phase rust inhibitor at the rate of one ounce per cubic foot of internal drive space (or 5% of sump capacity) and rotate the shafts several times by hand. Before operating, drives which have been stored or inactive must be filled to the proper level with oil meeting the specifications given in Manual 288-400. Refer to Manual 128-014 for "Start-up after Storage" instructions.

Periodically inspect stored or inactive gear drives and spray or add rust inhibitor every six months, or more often if necessary. Indoor dry storage is recommended.

Gear drives ordered for extended storage can be treated at the Factory with a special preservative and sealed to rust-proof parts for periods longer than those cited previously.

**Factory Warranty** — Falk products generally carry a limited, one-year warranty against defects in materials or workmanship; but for an actual statement of the Factory Warranty, ask your local Rexnord representative or Falk/Rexnord distributor for our Standard Conditions of Sale.

---

## Conditions Affecting Selections

### Non-Standard Application Procedures

The following conditions may affect the gear drive selection procedure, drive size and auxiliary equipment being furnished.

**Excessive Overloads** — The maximum momentary or starting load must not exceed 200% of rated load (100% overload). Rated load is defined as gear drive rating with a service factor of 1.0. If the maximum starting or momentary load exceeds the above conditions, compute a second equivalent horsepower by dividing the peak load by two. The gear drive selected must have capacity equal to, or in excess of, the larger equivalent horsepower.

**Reversing Service** — Applications involving either more than 20 reversals per ten hour period, or less than 20 reversals per ten hour period with peak torques greater than 200% of normal load must be referred to the Factory.

**Stop and Start Service** — Applications involving frequent stop and start overloads in excess of ten times per day must be referred to the Factory.

**Brake-Equipped Applications** — When a gear drive is equipped with a “working” brake that is used to decelerate the motion of the system and the brake is located between the prime mover and the gear drive or on the rear of the motor, select the drive based on the brake rating or the highest equivalent horsepower, whichever is greater. If the brake is used for holding only and is applied after the motion of the system has come to rest, the brake rating must be less than 200% of the catalog rating, refer the application to the Factory. Also refer to Factory all applications in which the brake is located on the output shaft of the gear drive.

**Oversize Prime Mover** — Published service factors do not cover applications that require oversize prime movers for high-energy or peak loads. Refer such applications to Factory for selection of suitable drives.

**Speed Variation** — Gear drives offered in this catalog are designed to operate with splash lubrication at all speeds for which they are cataloged, provided the appropriate amount of lubricant is present based on the drive mounting position. (Refer to Manual 288-400 for oil quantity associated with each gear drive mounting position.) Variation of speed between cataloged speeds, or at speeds falling between cataloged speeds, is permissible.

**Lubrication of Sizes 03, 04, 05, 06 & 07UB** — These sizes are furnished filled with a quantity of oil. Quantity of oil furnished is based on the customer-identified drive mounting position stated at the time of order. Standard drive mounting positions are shown in this catalog. Sizes 03, 04 & 05 have no oil fill plug, oil drain plug or vent plug. Standard oil furnished with the gear drive is a petroleum-based extreme pressure lubricant, conforming to AGMA Viscosity Grade 6EP, ISO Viscosity Grade 320, and no further lubrication of the gear drive is required.

**Lubrication of Sizes 08, 09, 10 & 12UB** — These sizes are furnished without oil. Customer oil fill is required. They are furnished with oil fill plug, oil drain plug and vent plug. Lubricant quantity, lubricant specifications, location of plugs and recommended oil change frequency are stated in the Installation & Maintenance Guide 288-400.

### Variable or Multi-Speed Applications — All Types

When selecting gear drives for multi-speed or variable speed application, determine the speed which develops the greatest torque and select the drive on this basis. If the speed is not listed in the selection table, use the next lower speed.

**Effects of Solar Energy** — If a drive operates in the sun at ambient temperatures over 100°F, then special measures must be taken to protect the drive from solar energy. This protection can consist of a canopy over the drive or reflective paint on the drive. If neither is possible, a heat exchanger or other cooling device may be required.

**Overhung Loads & Thrust Loads** — The overhung load and thrust load ratings published in this catalog are based on a combination of the most unfavorable conditions of rotation, speed, direction of applied load and drive loading. If the calculated load exceeds the published value, or if an overhung load and thrust load are applied simultaneously to a shaft, refer complete application information to the Factory.

**Non-Standard Mounting Positions** — For non-standard mounting positions (other than those shown in this catalog) refer to the Factory for lubricant level and quantity.

**Double Seal Option** — Certain applications may dictate the use of double seals. This option, provided at an additional charge, is furnished as follows:

Gearmotors — A double seal is available only at the low-speed shaft.

Inline Drives — A double seal is furnished at both the high-speed and low-speed shafts.

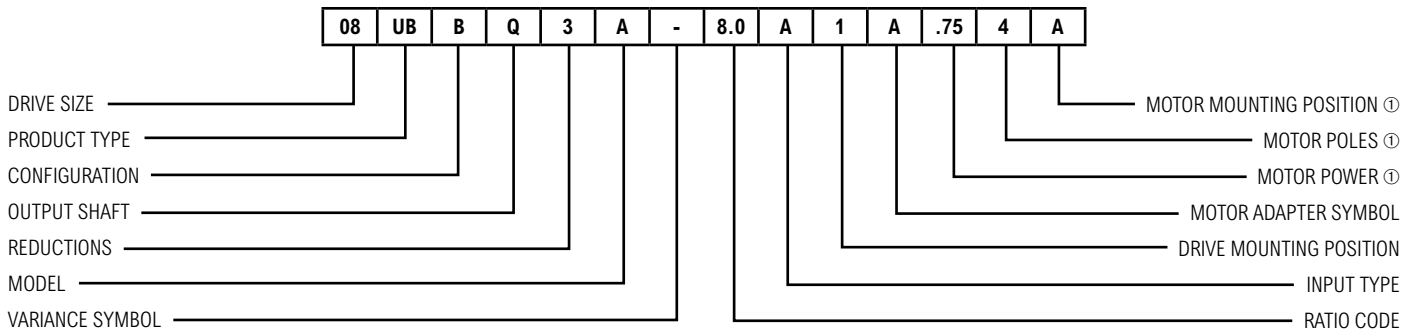
### General Information

- Rexnord standards apply unless otherwise specified.
- All dimensions are for reference only and are subject to change without notice unless certified.
- H.S. Shaft or HSS = High-Speed Shaft.
- L.S. Shaft or LSS = Low-Speed Shaft.

### Reference Notes

- Dimensions are for reference only and will vary with motor manufacturer.
- For higher ratio selections, consult the Factory.
- Check thermal input hp ratings. Selection tables are based on mechanical input hp ratings only.

## UB — Drive Nomenclature



### Drive Sizes

03, 04, 05, 06, 07, 08, 09, 10 & 12

### Product Type

UB — Helical Bevel

### Configuration

- B — Base Mounted (Integral Feet)
- F — Standard Output Flange
- J — With Torque Arm Bracket
- K — With Banjo Torque Arm, Except 05, 06 & 07

### Output Shaft

- Q — Inch Hollow
- B — Inch Single-Ended, L.H. ②
- C — Inch Single-Ended, R.H. ②
- D — Inch Double-Ended
- E — Straight Metric Hollow
- F — Metric Single-Ended, L.H. ②
- G — Metric Single-Ended, R.H. ②
- H — Metric Double-Ended
- J — Taper Hollow
- K — Taper Inch Single-Ended, L.H. ②
- L — Taper Metric Single-Ended, R.H. ②
- M — TA Taper Metric Bushing (Bore Diameter)
- N — TA Taper Inch Bushing (Bore Diameter)
- P — CEMA Seal Housing and Drive Shaft (DS Diameters)
- R — Straight Hollow Bore with Shrink Disc

### Reductions

- 3 — Triple
- 5 — Quintuple

### Model

A, B, C, etc.

### Variance Symbol

Variance Symbol is omitted when Standard Mineral Lube and Single Seals are specified.

- A — Standard Mineral Lube and Double Seals
- B — Synthetic Lube and Single Seals
- C — Biodegradeable Lube and Single Seals
- D — Food Compatible Lube and Single Seals
- E — Synthetic Lube with Double Seals
- F — Biodegradeable Compatible Lube with Double Seals
- G — Food Compatible Lube with Double Seals
- H — Backstop (Hold Back)
- J — Cooling Fan - Shaft-Driven
- S — Multiple Variances or Special

### Ratio Code, Three Characters, refer to page 11

8.0 through 160      Triple Reduction  
 125 through 71C      Quintuple Reduction      C = 00      K = 000

### Input Type

- A — Gear Drive with Flange Motor Adapter - NEMA Frame
- G — Gear Drive with Flange Motor Adapter - IEC Frame
- N — Gear Drive with Inch Input
- C — Gear Drive with Metric Input
- R — Gear Drive with Flange Motor Adapter - Special Motors

### Drive Mounting Position, refer to page 12

Mounting Positions 1 through 6

### Motor Adapter Symbol, refer to pages 15-16

A through W

### Motor Power, Decimal Point Shown ①

Horsepower – NEMA Motor  
 Kilowatts – IEC Motor

### Motor Poles ①

- 2 — Poles, 3600 rpm @ 60 Hz, or 3000 rpm @ 50 Hz
- 4 — Poles, 1800 rpm @ 60 Hz, or 1500 rpm @ 50 Hz
- 6 — Poles, 1200 rpm @ 60 Hz, or 1000 rpm @ 50 Hz
- 8 — Poles, 900 rpm @ 60 Hz, or 750 rpm @ 50 Hz

### Motor Mounting Position, refer to page 12 ①

When viewed from L.S. Shaft of Base-Mounted Drive with Mounting Feet Down

- A — Conduit Box Horizontal on Right Side, 0°
- B — Conduit Box Vertical on Bottom Side, 90°
- C — Conduit Box Horizontal on Left Side, 180°
- D — Conduit Box Vertical on Top Side of Drive 270°

① Motor Power, Motor Poles and Motor Mounting Position are stamped on the nameplate only if the motor is furnished and fitted by Rexnord.

② When viewed from L.S. end.

## UB — How to Select and Order Gearmotors

**NOTE:** Before making any selections, refer to the Falk Ultramite Basic Information and Conditions Affecting Selections on **pages 4 and 5**.

### Selection of Helical Bevel Gearmotors

1. Determine Service Factor — See **pages 9 and 10**.
2. Determine Motor Horsepower.
3. Determine Gearmotor Output Speed and Ratio.
4. Gearmotor Selection Tables are included on **pages 17-40**. These tables assume a motor base speed of 1750 rpm. For ratings at other motor base speeds, consult your authorized Rexnord sales representative.

Go to the page that contains selections based on the specific C-face motor you will be using. For example, selections for 5 hp, 1750 rpm, 184TC frame motors are tabulated on **pages 29 and 30**.

Starting at the top of the first selection page pertinent to your motor requirement, move down the selections until a gearmotor meeting your output speed, ratio, reduction and service factor requirements is located.

For example consider an application with a 5 hp, 1750 rpm/184TC frame motor, output speed of 43 rpm, nominal ratio of 40:1, and a required service factor of 2.00. Selections for a 5 hp, 1750 rpm/184TC frame motor are on **pages 29 and 30**.

The Gearmotor 08UBAQ3A40.A\_C has an output speed of 43 rpm, exact ratio of 40.36:1, triple reduction, and a service factor of 3.33 which meets our requirements.

Choose your required configuration, foot or shaft mounted, and record the full nomenclature and part number of the basic drive and any required accessories.

5. Check Overhung Load — The gearmotor selection tables provide the low-speed shaft overhung capacity of the gearmotor selected. If overhung load is present, calculate the value of the overhung load per instructions on **page 48**. Sprockets or other devices mounted on the output shaft of the gearmotor should be sized and positioned so the gearmotor overhung load capacities are not exceeded. Should applied overhung loads exceed the capacity of the initial gearmotor selected, a larger gearmotor of adequate capacity must be selected.
6. Check External Thrust Load — Permissible thrust loads are provided on **page 49**. If thrust and overhung loads are applied simultaneously, or if loads exceed stated thrust capacities, consult your authorized Rexnord sales representative.
7. Check Gearmotor Dimensions — **pages 41-47**.
8. When ordering, provide the gear drive mounting position from **page 12**. If a mounted motor is ordered, specify motor mounting position, also from **page 12**.

### Example

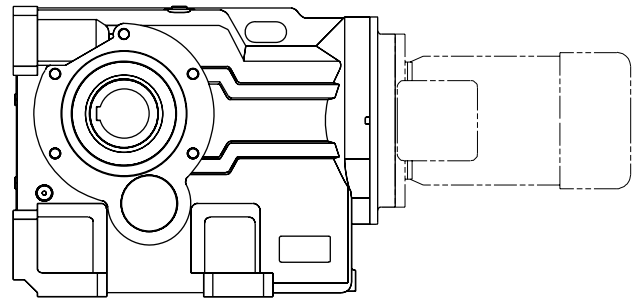
Application: Belt conveyor, heavy-duty, head shaft speed is approximate 22 rpm, shaft-mounted drive configuration is specified.

Duty Cycle: 16 hours per day.

Driver: 7-1/2 hp electric motor, 1750 rpm, 213TC frame.

Output: Conveyor head shaft diameter to suit gearmotor manufacturer standard hollow shaft.

1. Service factor from **page 10** is 1.50.
2. Motor horsepower is 7-1/2 hp.
3. From selection table on **page 32**, the appropriate gearmotor is the Size 09UBBQ3A80.A\_D, part number 4762885, exact ratio 77.78:1, and a 2.00 service factor.
4. Check overhung load capacity on **page 49** — For this example there is no overhung load.
5. Check external thrust load capacity on **page 49** — For this example there is no external thrust.
6. Check dimensions on **page 41**.
7. Specify drive mounting position and motor mounting position (if mounted motor is requested) from **page 12** — For our example, the gearmotor is mounted in drive mounting position #1, flat on the floor.
8. Add appropriate accessories. Our example requires a torque arm bracket to effect shaft mounting.



## UB — How to Select and Order Gear Drives

**NOTE:** Before making any selections, refer to the Falk Ultramite Basic Information and Conditions Affecting Selections on **pages 4 and 5**.

### Selection of Helical Bevel Gear Drives

1. Determine Service Factor — See **pages 9 and 10**.
2. Determine Equivalent Horsepower — Calculate the equivalent hp by multiplying the motor hp by the service factor.
3. Determine Gear Drive Output Speed and Ratio.
4. Gear Drive Selection tables are included on **pages 51-54**.

Go to the page that contains selections based on your required input speed of the gear drive. For example, selections based on input speed of 1750 rpm are shown on **page 52**.

Locate the table containing your required ratio, reduction and low-speed shaft rpm and select the drive size with a mechanical rating equal to or exceeding your equivalent horsepower requirement.

Having selected a gear drive size meeting your ratio, reduction and equivalent hp requirements, obtain nomenclature, exact ratio and Falk part number from **pages 56-59**. Part number selected will depend on your mounting configuration (base mount or flange mount).

5. Check Overhung Load — Table on **page 49** provides the overhung capacity of the gear drive selected. If overhung load is present, calculate the value of the overhung load per instructions on **page 48**. Sprockets or other devices mounted on the output shaft of the gear drive should be sized and positioned so the gear drive overhung load capacities are not exceeded. If applied overhung loads exceed the capacity of the initial gear drive selected, a larger gear drive of adequate capacity must be selected.
6. Check External Thrust Load — Permissible thrust loads are provided on **page 49**. If thrust and overhung loads are applied simultaneously, or if loads exceed stated thrust capacities, consult your authorized Rexnord sales representative.
7. Check Gear Drive Dimensions — **pages 60-63**.
8. When ordering, provide the drive mounting position from **page 12**.

### Example

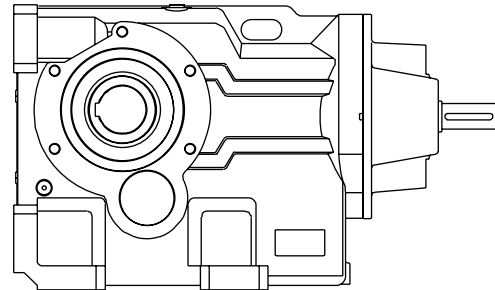
Application: Belt conveyor, heavy-duty, head shaft speed is approximate 22 rpm, base-mounted drive configuration is specified.

Duty Cycle: 16 hours per day.

Driver: 7-1/2 hp electric motor, 1750 rpm.

Output: Coupling connected to conveyor head shaft.

1. Service factor from **page 10** is 1.50.
2. Equivalent horsepower is  $7.5 \times 1.5 = 11.25$  hp.
3. From selection table on **page 52**, the appropriate gear drive exceeding your required equivalent hp of 11.25 is the Size 09 with a rating of 12.4 hp.  
  
Complete designation of the gear drive is obtained from **page 57** (09UBBQ3A80.N\_, exact ratio 77.78:1, and part number 4762889).
4. Check overhung load capacity on **page 49** — For this example, there is no overhung load.
5. Check external thrust load capacity on **page 49** — For this example there is no external thrust.
6. Check dimensions on **page 60**.
7. Specify gear drive mounting position from **page 12** — For our example, the gear drive is mounted horizontal in mounting position #1.
8. Add appropriate accessories from **pages 64-70**. Our example requires a single-ended output shaft for coupling connection to the conveyor head shaft.





## Service Factors

A gear drive is rated to a specified application by the use of Service Factors. Each application has its own conditions and operating requirements. These have been analyzed and cataloged. Numerical values, based on field experience, have been assigned to these classifications for intermittent service of 3 to 10 hours per day and for service over 10 hours per day and also for the type of prime mover ... electric motor or engine. Values for most applications are listed by application on **page 10, Table 3** and by industry at right, **Table 2**.

**Examples** — A comparison of three different applications, each operating 16 hours per day, will illustrate the function of Service Factors: an Assembly Conveyor, uniformly-loaded (SF = 1.25), a Belt Conveyor, heavy-duty (SF = 1.50) and a Laundry Washer (SF = 2.00). If each of these applications requires 10 hp, each drive is selected for a rating of 10 hp times the Service Factor — that is, for 12.5, 15 and 20 hp respectively. Thus, the Service Factor takes into consideration the varying conditions of operation: Laundry Washer service is relatively more severe than that of a uniformly-loaded Assembly Conveyor, etc.

Application	Service	
	3 to 10 Hour	Over 10 Hour
<b>ASSEMBLY CONVEYORS</b>		
Uniformly-Loaded or Fed .....	1.25	1.25
<b>BELT CONVEYORS</b>		
Heavy-Duty .....	1.25	1.50
<b>LAUNDRY WASHERS</b> .....	1.50	2.00

Since most industrial applications are electric-motor-driven, Service Factors are based on the use of electric motors. These factors can be easily converted to engine-drive factors as outlined in **Table 1**.

Service Factors are based on the assumption that the system is free of dynamic vibrations, as explained in the Basic Information section, and that maximum momentary or starting loads do not exceed 200% of the rated load.

Service Factors listed are recommended as minimum for general purpose use. Application of these service factors will result in normal drive reliability and life under typical operation conditions. Refer to Factory any application not listed in **Table 2** or **Table 3**.

Applications involving unusual operating conditions or requirements such as, but not limited to, the following should also be referred to Factory:

- Applications requiring extended life/High-reliability, exceeding normal
- High frequency starting
- Stalling or other high-energy load absorption
- Torsional vibrations
- Frequent speed variations
- Reversing loads
- Extremes in ambient temperature

### Occasional & Intermittent Service or Engine Driven Applications

For multi-cylinder engine-driven applications and all applications operating intermittently up to 3 hours per day, refer to **Table 2** or **Table 3** for the Service Factor of the same application operating 3 to 10 hours per day. Next, in the first column of **Table 1**, find this same Service Factor. Then, to the right, under the desired hours service and prime mover, locate the converted Service Factor.

For example, from **Table 3**, the Service Factor is 1.25 for a uniformly-loaded belt conveyor. From **Table 1**, for the same application the following are the Service Factors for various conditions.

1. Engine-driven 3 to 10 hours per day; use 1.50 Service Factor.
2. Engine-driven up to 3 hours intermittently; use 1.25 Service Factor.
3. Motor-driven up to 3 hours intermittently; use 1.00 Service Factor.

**Table 1 — Service Factor Conversions**

Table 2 or Table 3 3 to 10 Hour Service Factor	3 to 10 Hours per Day Multi-Cyl. Engine ②	Over 10 Hours per Day		Intermittent — Up to 3 Hours per Day ①	
		Motor	Multi-Cyl. Engine ②	Motor	Multi-Cyl. Engine ②
1.00	1.25	1.25	1.50	1.00	1.00
1.25	1.50	1.50	1.75	1.00	1.25
1.50	1.75	1.75	2.00	1.25	1.50
1.75	2.00	2.00	2.25	1.50	1.75
2.00	2.25	2.25	2.50	1.75	2.00

① For applications operating one half hour or less per day and applications driven by single cylinder engines, refer to Factory.

② These service factors are based on the assumption that the system is free from serious critical and torsional vibrations and that maximum momentary or starting loads do not exceed 200% of the normal load.

**Table 2 — Service Factors Listed by Industry**

(For electric motor, steam turbine or hydraulic motor drives ... recommendations are MINIMUM and normal conditions are assumed.)

Industry	Service		Industry	Service	
	3 to 10 Hour	Over 10 Hour		3 to 10 Hour	Over 10 Hour
<b>BOTTLING AND BREWING</b>					
Bottling Machinery.....	1.25	1.25	Jordan .....	—	1.50
Brew Kettles, Continuous Duty.....	1.25	1.25	Kiln Drive.....	—	1.50
Can Filling Machines .....	1.25	1.25	Mt. Hope & Paper Rolls .....	—	1.50
Cookers — Continuous Duty.....	1.25	1.25	Platter.....	—	1.50
Mash Tubs — Continuous Duty .....	1.25	1.25	Presses (Felt & Suction) .....	—	1.50
Scale Hoppers — Frequent Starts .....	1.25	1.50	Reel (Surface Type) .....	—	1.50
<b>CLAY WORKING INDUSTRY</b>					
Clay Working Machinery.....	1.25	1.50	Screens		
Pug Mills .....	1.25	1.50	Chip & Rotary.....	—	1.50
<b>DISTILLING</b> .....					
See Brewing			Size Press .....	—	1.50
<b>FOOD INDUSTRY</b>					
Beet Slicers .....	1.25	1.50	Thickener & Washer		
Bottling, Can Filling Machine.....	1.25	1.25	AC Motor.....	—	1.50
Cereal Cookers.....	1.00	1.25	DC Motor.....	—	1.50
Dough Mixers, Meat Grinders.....	1.25	1.50	Vacuum Pumps.....	—	1.50
<b>LUMBER INDUSTRY</b>					
Conveyors			Wind & Unwind Stand.....	—	1.25
Burner .....	1.25	1.50	Winders (Surface Type).....	—	1.25
Main or Heavy-Duty.....	1.50	1.50	<b>PLASTIC INDUSTRY</b>		
Re-Saw Merry-Go-Round.....	1.25	1.50	Batch Drop Mill, 2 smooth rolls .....	1.25	1.25
Slab .....	1.75	2.00	Calenders.....	1.50	1.50
Transfer .....	1.25	1.50	Compounding Mills.....	1.25	1.25
Chains — Floor.....	1.50	1.50	Continuous Feed, Holding & Blend Mill .....	1.25	1.25
Chains — Green .....	1.50	1.75	Intensive Internal Mixers		
Cut-Off Saws — Chain & Drag .....	1.50	1.75	Batch Mixers.....	1.75	1.75
Feeds — Edger.....	1.25	1.50	Continuous Mixers .....	1.50	1.50
Feeds — Gang.....	1.75	1.75	<b>RUBBER INDUSTRY</b>		
Feeds — Trimmer .....	1.25	1.50	Batch Drop Mill, 2 smooth rolls .....	1.50	1.50
Log Turning Devices .....	1.75	1.75	Calenders.....	1.50	1.50
Planer Feed .....	1.25	1.50	Cracker Warmer — 2 roll, 1 corrugated roll.....	1.75	1.75
Planer Tilting Hoists.....	1.50	1.50	Holding, Feed & Blend Mill — 2 Roll .....	1.25	1.25
Rolls — Live — Off			Intensive Internal Mixers		
Bearing — Roll Cases.....	1.75	1.75	Batch Mixers.....	2.00	2.00
Sorting Table, Tipple Hoist.....	1.25	1.50	Continuous Mixers .....	1.50	1.50
Transfers—Chain & Craneway .....	1.75	2.00	Mixing Mill — 2 smooth rolls (if corrugated rolls are used, use Cracker Warmer service factors) .....	1.50	1.50
Tray Drives .....	1.25	1.50	Refiner — 2 roll.....	1.50	1.50
<b>OIL INDUSTRY</b>					
Chillers.....	1.25	1.50	<b>SEWAGE DISPOSAL</b>		
Paraffin Filter Press.....	1.25	1.50	Bar Screens.....	1.25	1.25
Rotary Kilns .....	1.25	1.50	Chemical Feeders.....	1.25	1.25
<b>PAPER MILLS ③</b>					
Agitator (Mixer).....	—	1.50	Collectors.....	1.25	1.25
Agitator for Pure Liquids .....	—	1.50	Dewatering Screens .....	1.50	1.50
Beater .....	—	1.50	Scum Breakers .....	1.50	1.50
Breaker Slack .....	—	1.50	Slow or Rapid Mixers.....	1.50	1.50
Calender.....	—	1.50	Thickeners.....	1.50	1.50
Chipper .....	—	2.00	Vacuum Filters .....	1.50	1.50
Chip Feeder.....	—	1.50	<b>TEXTILE INDUSTRY</b>		
Coating Rolls .....	—	1.50	Batchers, Calenders .....	1.25	1.50
Conveyors — Chip, Bark, Chemical .....	—	1.50	Card Machines.....	1.25	1.50
Couch Rolls .....	—	1.50	Dry Cans, Dryers.....	1.25	1.50
Cylinder molds.....	—	1.50	Dyeing Machinery.....	1.25	1.50
Dryers — Paper Mach. & Conveyor Type.....	—	1.50	Looms, Mangles, Nappers, Pads.....	1.25	1.50
Embossing .....	—	1.50	Slashers, Soapers, Spinners, Tenter Frames, Washers, Winders .....	1.25	1.50
Extruder.....	—	1.50			
Fourdrinier Rolls — Lumpbreaker, Wire Turning Dandy & Return Rolls	—	1.50			

③ Service factors for paper mill applications are applied to the nameplate rating of the electric drive motor at the motor-rated base speed and are consistent with those shown in TAPPI standards.

④ Anti-friction bearings only.

# Service Factors

**Table 3 — Service Factors Listed by Application**

(For electric motor, steam turbine or hydraulic motor drives ... recommendations are MINIMUM and normal conditions are assumed.)

Application	Service		Application	Service		Application	Service		Application	Service	
	3 to 10 Hour	Over 10 Hour		3 to 10 Hour	Over 10 Hour		3 to 10 Hour	Over 10 Hour		3 to 10 Hour	Over 10 Hour
<b>AGITATORS</b>			Reciprocating Multi-Cylinder .....	1.50	1.75	<b>GRAVITY DISCHARGE ELEVATORS</b>	1.00	1.25	Proportioning.....	1.25	1.50
Pure Liquids.....	1.25 ①	1.25 ②	<b>CONCRETE MIXERS</b>			① <b>HOISTS</b>			Reciprocating		
Liquids & Solids .....	1.25 ②	1.50 ②	Continuous .....	1.25	1.50	Medium Duty .....	1.25	1.50	Single-Act., 3 or more Cyl.....	1.25	1.50
Liquids-Variable Density .....	1.25 ②	1.50 ②	Intermittent.....	1.25	1.50	Skip Hoist .....	1.25	1.50	Double-Act., 2 or more Cyl.....	1.25	1.50
<b>APRON CONVEYORS</b>			<b>CONVEYORS — Uniformly-loaded or Fed:</b>			<b>INDUCED DRAFT FANS</b>	1.25	1.50	Rotary: Gear, Lobe, Vane.....	1.25	1.25
Uniformly-Loaded or Fed .....	1.25	1.50	Apron, Assembly, Belt, Bucket, Chain, Flight, Oven, Screw.....	1.25	1.25	<b>KILNS</b>	See Mills, Rotary		<b>RECIPROCATING COMPRESSORS</b>		
Heavy-Duty .....	1.25	1.50	<b>CONVEYORS — Heavy-Duty, Not Uniformly Fed</b>			<b>LAUNDRY WASHERS</b>	1.50	2.00	Multi-Cylinder.....	1.50	1.75
<b>APRON FEEDERS</b>			Apron, Assembly, Belt, Bucket, Chain, Flight, Oven, Screw.....	1.25	1.50	<b>LAUNDRY TUMBLERS</b>	1.25	1.50	<b>ROTARY</b>		
<b>ASSEMBLY CONVEYORS</b>			<b>COOKERS (Brewing &amp; Distilling), (Food)</b>	1.25	1.25	<b>LINE SHAFTS</b>			Pumps.....	1.25	1.25
Uniformly-Loaded or Fed .....	1.25	1.25	<b>DEWATERING SCREENS (Sewage)</b>	1.50	1.50	Driving Processing Equipment.....	1.25	1.50	Screens (Sand or Gravel).....	1.25	1.50
Heavy-Duty .....	1.25	1.50	<b>DISC FEEDERS</b>	1.25	1.25	Other Line Shafts, Light.....	1.25	1.25	<b>RUBBER &amp; PLASTICS INDUSTRIES</b>	See Table 2	
<b>BALL MILLS</b>	See Mills, Rotary		<b>DISTILLING</b>	See Table 2		<b>LOBE BLOWERS OR COMPRESSORS</b>	1.25	1.50	<b>SAND MULLERS</b>	1.25	1.50
<b>BAR SCREENS (Sewage)</b>	1.25	1.25	<b>DOUBLE-ACTING PUMPS</b>			<b>LOOMS (Textile)</b>	1.25	1.50	<b>SCREENS</b>		
<b>BATCHERS (Textile)</b>	1.25	1.50	2 or more Cylinders .....	1.25	1.50	<b>LUMBER INDUSTRY</b>	See Table 2		Air Washing .....	1.00	1.25
<b>BELT CONVEYORS</b>			<b>DOUGH MIXER (Food)</b>	1.25	1.50	<b>MACHINE TOOLS</b>			Rotary — Sand or Gravel.....	1.25	1.50
Uniformly-Loaded or Fed .....	1.25	1.25	<b>DRAW BENCH (Metal Mills)</b>			Auxiliary Drives.....	1.25	1.25	Traveling Water Intake.....	1.00	1.25
Heavy-Duty .....	1.25	1.50	Carriage & Main Drive .....	1.25	1.50	Bending Rolls.....	1.25	1.50	<b>SCREW CONVEYORS</b>		
<b>BELT FEEDERS</b>	1.25	1.50	<b>DRYERS &amp; COOLERS (Mills, Rotary)</b>	—	1.50	Main Drives.....	1.25	1.50	Uniform.....	1.25	1.25
<b>BENDING ROLLS (Machine)</b>	1.25	1.50	<b>DYEING MACHINERY (Textile)</b>	1.25	1.50	Punch Press (Geared) .....	2.00	2.00	Heavy-Duty or Feeder.....	1.25	1.50
<b>BLOWERS</b>			<b>ELEVATORS</b>			Punch Press (Geared) .....	1.75	2.00	<b>SCUM BREAKERS (Sewage)</b>	1.50	1.50
Centrifugal .....	1.25	1.25	Bucket-Uniform-Lood .....	1.25	1.50	Tapping machines .....	1.75	2.00	<b>SEWAGE DISPOSAL</b>	See Table 2	
Lobe.....	1.25	1.50	Bucket-Heavy-Duty .....	1.25	1.50	<b>MANGLE (Textile)</b>	1.25	1.50	<b>SHAKER CONVEYORS</b>	1.75	2.00
Vane.....	1.25	1.50	Bucket-Continuous .....	1.25	1.50	<b>MASH TUBS (Brewing &amp; Distilling)</b>	1.25	1.25	<b>SHEETERS (Rubber)</b>	—	1.50
<b>BOTTLING MACHINERY</b>	1.25	1.25	Centrifugal Discharge.....	1.25	1.25	<b>MEAT GRINDERS (Food)</b>	1.25	1.50	<b>SINGLE ACTING PUMP</b>		
<b>BREWING</b>	See Table 2		① Escalators .....	<b>Not Approved</b>		<b>METAL MILLS</b>			3 or more Cylinders .....	1.25	1.50
<b>BUCKET</b>			① Freight .....	<b>Not Approved</b>		Draw Bench Carriages & Main Drives .....	1.25	1.50	① <b>SKI TOWS &amp; LIFTS</b>	<b>Not Approved</b>	
Conveyors Uniform .....	1.25	1.50	Gravity Discharge .....	1.25	1.25	Pinch, Dryer & Scrubber Rolls, Reversing.....	Refer to Factory		① <b>SKIP HOIST</b>	1.25	1.50
Conveyors Heavy-Duty .....	1.25	1.50	① Man Lifts, Passenger .....	<b>Not Approved</b>		Slitters.....	1.25	1.50	<b>SLAB PUSHERS</b>	1.50	1.50
Elevators Continuous .....	1.25	1.50	<b>EXTRUDERS (Plastic &amp; Rubber)</b>	See Table 2		Table Conveyors, Non-Reversing Group Drives .....	1.50	1.50	<b>SLITTERS (Metal)</b>	1.25	1.50
Elevators Uniform.....	1.25	1.50	<b>FANS</b>			Wire Drawing & Flattening Machines.....	1.25	1.50	<b>SLUDGE COLLECTORS (Sewage)</b>	1.25	1.25
Elevators Heavy-Duty .....	1.25	1.50	Centrifugal .....	1.25	1.25	Wire Winding Machines.....	1.50	1.50	<b>SOAPERS (Textile)</b>	1.25	1.50
<b>CALENDERS</b>			Forced Draft.....	—	1.25	<b>MILLS, ROTARY</b>			<b>SPINNERS (Textile)</b>	1.25	1.50
Rubber and Plastic .....	See Table 2		Induced Draft.....	1.50	1.50	Pebble, Plain & Wedge Bar Mills .....	—	1.50	<b>STOKERS</b>	1.25	1.25
Textile.....	1.25	1.50	Large (Mine, etc.).....	1.50	1.50	<b>MIXER (Also see Agitators)</b>			<b>TABLE CONVEYORS (Non-Reversing)</b>		
<b>CAN FILLING MACHINES</b>	1.25	1.25	Large Industrial .....	1.50	1.50	Concrete, Cont. & Int. ....	1.25 ②	1.50 ②	Group Drives.....	1.50	1.50
<b>CARD MACHINES (Textile)</b>	1.25	1.50	Light (Small Diameter).....	1.00	1.25	Constant Density.....	1.25 ②	1.50 ②	<b>TENTER FRAMES (Textile)</b>	1.25	1.50
<b>CAR PULLERS</b>	1.25	1.50	<b>FEEDERS</b>			Variable Density .....	1.25 ②	1.50 ②	<b>TEXTILE INDUSTRY</b>	See Table 2	
<b>CEMENT KILNS</b>	See Mills, Rotary		Apron, Belt .....	1.25	1.50	<b>NAPPERS (Textile)</b>	1.25	1.50	<b>THICKENERS (Sewage)</b>	1.50	1.50
<b>CENTRIFUGAL</b>			Disc.....	1.25	1.25	<b>OIL INDUSTRY</b>	See Table 2		<b>VACUUM FILTERS (Sewage)</b>	1.50	1.50
Blowers, Compressors, Discharge Elevators, Fans or Pumps.....	1.25	1.25	Screw.....	1.25	1.50	<b>OVEN CONVEYORS</b>			<b>VANE BLOWERS</b>	1.25	1.50
<b>CHAIN CONVEYORS</b>			<b>FLIGHT CONVEYORS</b>			Uniform.....	1.25	1.25	<b>WINCHES (Dredges)</b>	1.25	1.50
Uniformly-Loaded or Fed .....	1.25	1.25	Uniform.....	1.25	1.25	Heavy-Duty .....	1.25	1.50	<b>WINDERS (Textile)</b>	1.25	1.50
Heavy-Duty .....	1.25	1.50	Heavy .....	1.25	1.50	<b>PAPER MILLS</b>	See Table 2		<b>WIRE</b>		
<b>CHEMICAL FEEDERS (Sewage)</b>	1.25	1.25	<b>FOOD INDUSTRY</b>	See Table 2		<b>PASSENGER ELEVATORS</b>	<b>Not Approved</b>		Drawing Machines .....	1.25	1.50
<b>CLARIFIERS</b>	1.25	1.25	<b>GENERATORS (Not Welding)</b>	1.25	1.25	<b>PEBBLE MILLS</b>	—	1.50	Winding Machines.....	1.50	1.50
<b>CLASSIFIERS</b>	1.25	1.50				<b>PROPORTIONING PUMPS</b>	1.25	1.50			
<b>CLAY WORKING</b>	See Table 2					<b>PUG MILLS (Clay)</b>	1.25	1.50			
<b>COLLECTORS (Sewage)</b>	1.25	1.25				<b>PUMPS</b>					
<b>COMPRESSORS</b>						Centrifugal .....	1.25	1.25			
Centrifugal .....	1.25	1.25									
Lobe.....	1.25	1.50									

- ① Selection of Rexnord products for applications whose primary purpose is the transportation of people is not approved. This includes such applications as freight or passenger elevators, escalators, man lifts, work lift platforms, ski tows and ski lifts. If the primary purpose of the application is material conveyance and occasionally people are transported, the Factory warranty may remain in effect provided the design load conditions are not exceeded and certification to the appropriate safety codes and load conditions has been obtained by the system designer or end user from the appropriate enforcement authorities.
- ② Contact your local Rexnord representative for proper selection of a Falk RAM mixer drive.

## UB — Exact Ratios

### Triple Reduction

Ratio Code (3 Characters)	Drive Sizes									
	03	04	05	06	07	08	09	10	12	
8.0	8.328	8.054	8.112	7.961	8.595	8.128	8.035	—	—	
10.	—	—	—	—	—	—	9.681	9.946	10.26	
11.	11.25	11.30	11.40	11.19	11.91	11.52	11.06	11.54	11.80	
12.	12.80	12.45	12.78	12.54	13.37	12.80	12.40	12.55	12.96	
14.	14.50	14.14	14.35	14.08	14.71	14.24	13.33	13.89	14.21	
16.	—	—	—	—	—	—	14.94	15.11	15.61	
18.	18.54	17.95	18.22	17.88	19.21	18.41	17.93	18.57	18.20	
20.	19.98	20.40	20.66	20.27	21.84	20.67	20.03	20.05	20.17	
22.	—	—	—	—	—	—	21.61	22.35	21.93	
25.	25.23	25.03	24.64	24.18	26.52	25.35	24.14	24.13	24.29	
28.	28.60	27.78	28.37	27.84	29.17	28.56	27.78	29.24	28.99	
32.	32.68	31.54	32.99	32.38	33.52	33.24	31.67	33.10	32.83	
36.	36.35	35.83	36.91	36.22	38.01	36.88	33.47	35.19	34.93	
40.	40.08	39.46	39.34	38.61	41.92	40.36	38.16	39.84	39.55	
45.	44.11	45.39	46.63	45.76	48.01	45.66	44.89	45.37	46.81	
50.	51.68	49.35	49.78	48.86	54.28	51.54	49.87	50.41	52.76	
56.	—	—	—	—	—	—	54.09	54.61	56.39	
63.	62.00	59.24	61.78	60.62	62.94	62.47	60.10	60.68	63.57	
71.	72.27	71.09	72.85	71.49	75.07	72.86	70.45	71.89	74.62	
80.	80.30	80.10	79.77	78.28	82.21	80.03	77.78	82.83	83.10	
90.	—	—	—	—	—	—	84.88	86.53	89.89	
100	96.70	93.12	97.76	95.93	98.65	98.08	93.71	99.70	100.1	
112	110.8	105.7	109.0	106.9	113.5	107.1	107.0	112.0	113.8	
125	126.0	120.2	122.2	119.9	126.1	123.3	120.3	120.4	121.1	
140	—	—	—	—	—	—	128.9	134.8	137.1	
160	—	—	—	—	—	—	145.0	144.9	145.9	

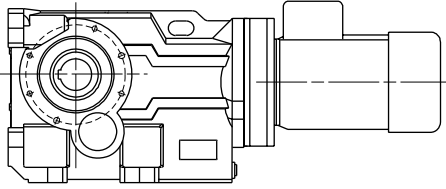
### Quintuple Reduction

Ratio Code <sup>①</sup> (3 Characters)	Drive Sizes									
	03	04	05	06	07	08	09	10	12	
125	128	134	118	116	120	132	—	—	—	
140	145	148	143	140	133	145	—	—	—	
160	165	170	157	154	147	164	161	167	172	
200	211	200	208	204	211	203	226	226	238	
250	227	258	264	259	233	256	254	260	269	
280	287	284	300	294	265	297	282	285	302	
320	325	322	316	310	305	325	316	317	332	
360	371	355	351	344	374	368	361	373	385	
400	413	407	399	391	415	401	402	414	437	
450	455	448	453	445	466	462	455	471	493	
500	516	508	499	489	513	506	489	515	531	
560	568	581	574	563	590	538	563	566	584	
630	649	646	624	612	641	641	655	651	671	
700	704	712	725	712	737	760	727	723	757	
800	798	808	812	797	836	811	789	783	809	
900	912	891	899	882	924	888	940	904	946	
10C	1015	1000	1045	1026	1062	1007	1028	980	1012	
11C	1119	1102	1169	1147	1204	1102	1115	1171	1140	
12C	1183	1267	1231	1208	1267	1248	1190	1268	1226	
14C	1423	1427	1477	1449	1521	1470	1477	1470	1519	
16C	1583	1606	1577	1548	1720	1659	1641	1634	1712	
18C	1800	1784	1777	1744	1938	1817	1741	1754	1811	
20C	2000	2250	1957	1920	1994	2011	1935	1949	2042	
22C	2250	2265	2205	2164	2246	2202	2118	2134	2236	
25C	2579	2463	2563	2515	2611	2699	2596	2561	2683	
28C	2699	2799	2847	2794	2934	2821	2733	2779	2887	
32C	3094	3360	3310	3248	3411	3147	2992	3044	3162	
36C	3516	3548	3757	3686	3871	3853	3667	3652	3794	
40C	4007	3998	4056	3981	4093	4237	4048	4208	4226	
45C	4554	4543	4604	4518	4646	4722	4512	4842	4862	
50C	4826	4647	5131	5036	5281	5157	5060	5380	5110	
56C	5485	5281	5234	5136	5345	5296	5793	5845	5879	
63C	6286	5994	5833	5725	6076	5783	6207	6548	6657	
71C	7144	6815	6542	6420	6752	6660	6980	7276	7083	

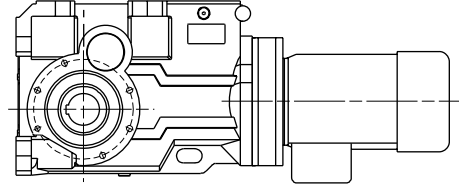
① Ratio with letter C = 00. Example: 18C = 1800.

## UB — Drive Mounting Position

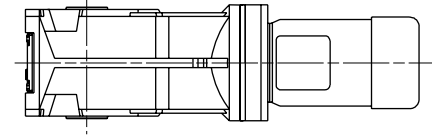
Mounting 1



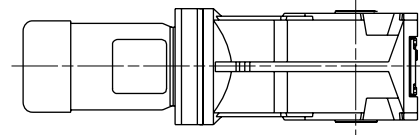
Mounting 2



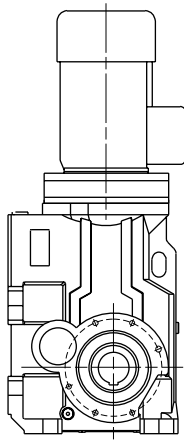
Mounting 3



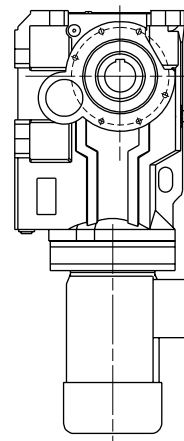
Mounting 4



Mounting 5

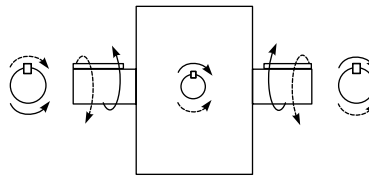


Mounting 6 ①



① Use motor fitted with a seal.

### Relative Shaft Rotation (Looking at H.S. or Input Shaft)



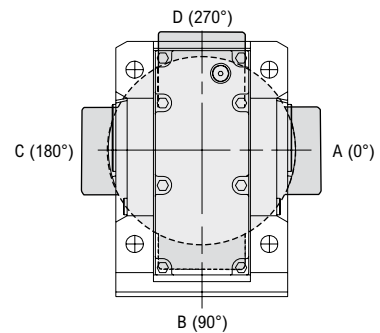
### Motor Mounting Position

Conduit box position when viewed from L.S. end of drive.

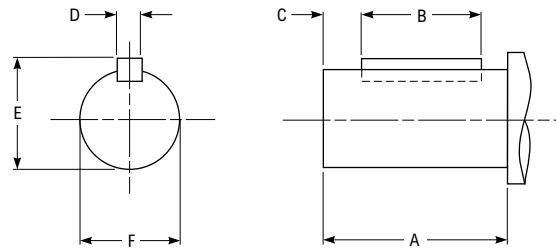
- A – Conduit box horizontal on right side, 0°.
- B – Conduit box vertical on bottom side, 90°.
- C – Conduit box horizontal on left side, 180°.
- D – Conduit box vertical on top side, 270°.

Standard NEMA motor mounting position is “C”.

Standard IEC motor mounting position is “A”.



## UB — Output Shaft Options



**Table 1 — Dimensions – Standard Shaft (in) – Metric Shaft (mm)**

Drive Size	03		04		05		06		07	
Type of Output Shaft	Metric	Std. Shaft ①②	Metric	Std. Shaft ①②	Metric	Std. Shaft ①②	Metric	Std. Shaft ①②	Metric	Std. Shaft ①②
Nomenclature Entry	C	N	C	N	C	N	C	N	C	N
<b>Dimensions</b>										
A	47	1.85	56	2.20	66	2.60	76	3.00	95	3.74
B	40	1.44	50	2.00	60	2.375	70	2.375	80	2.75
C	3	–	3	–	3	–	3	–	3	–
D	8	0.25	8	0.25	10	0.3125	12	0.375	14	0.50
E	28	1.106	33	1.359	38	1.507	43	1.784	53.5	2.228
F	25.015	1.0000	30.015	1.2500	35.018	1.3750	40.018	1.625	50.018	2.000
	25.002	0.9995	30.002	1.2495	35.002	1.3745	40.002	1.624	50.002	1.999

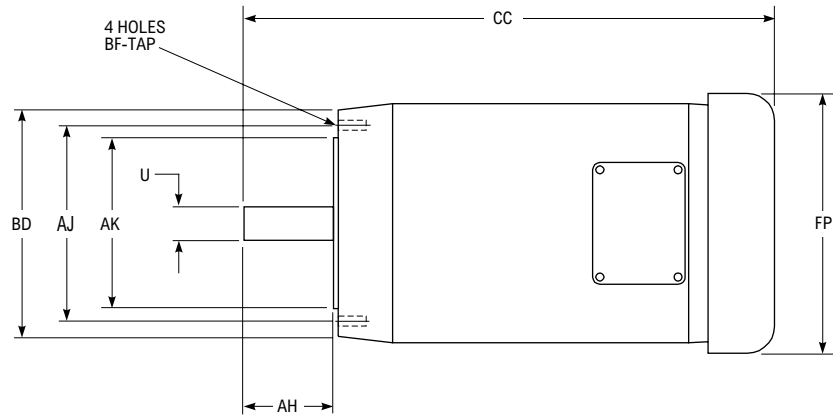
**Table 1A — Dimensions – Standard Shaft (in) – Metric Shaft (mm)**

Drive Size	08		09		10		12	
Type of Output Shaft	Metric	Std. Shaft ①②	Metric	Std. Shaft ①②	Metric	Std. Shaft ①②	Metric	Std. Shaft ①②
Nomenclature Entry	C	N	C	N	C	N	C	N
<b>Dimensions</b>								
A	114	4.488	135	5.315	172	6.772	213	8.386
B	100	3.6875	110	4.625	140	5.9375	180	6.500
C	3	–	3	–	5	–	5	–
D	18	0.625	20	0.750	25	0.875	28	1.000
E	64	2.65	74.5	3.20	95	4.01	116	4.81
F	60.000	2.3750	70.030	2.875	90.035	3.625	110.035	4.375
	60.011	2.3740	70.011	2.874	90.013	3.624	110.013	4.374

① Standard shafts have an open-ended keyway to ANSI standard B17.1 and therefore no dimension C. All other shafts shown have keyways in accordance with BS 4235 : Part 1.

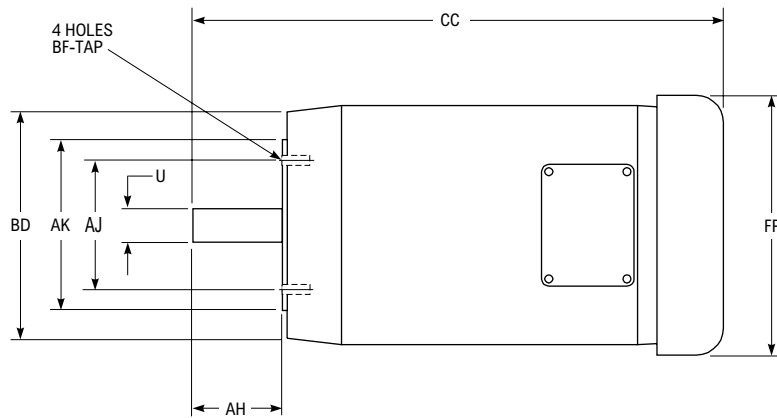
② Available from stock.

## Motor Detail (NEMA C-Face)



**Table 2 — Typical Motor Dimensions (in)**

Motor Frame Size	BD	AJ	AK	U	AH	CC Max	FP	BF Tap UNC
56C	6.50	5.88	4.5	0.625	2.06	14.06	7.19	0.375
143TC/145TC	6.50	5.88	4.5	0.875	2.13	14.19	7.19	0.375



**Table 3 — Typical Motor Dimensions (in)**

Motor Frame Size	BD	AJ	AK	U	AH	CC Max	FP	BF Tap UNC
182TC/184TC	9.00	7.25	8.5	1.125	2.63	18.06	8.50	0.50
213TC/215TC	9.00	7.25	8.5	1.375	3.13	19.44	10.19	0.50
254TC/256TC	10.00	7.25	8.5	1.625	3.75	23.63	12.50	0.50
284TC/286TC	11.25	9.00	10.5	1.875	4.38	27.56	15.56	0.50
324TC/326TC	13.38	11.00	12.5	2.125	5.00	30.25	16.94	0.63
364TC/365TC	13.38	11.00	12.5	2.375	5.63	32.56	19.00	0.63
404TC/405TC	13.88	11.00	12.5	2.875	7.00	36.88	20.63	0.63

## UB — Motor Adapters

The Ultramite helical bevel gearmotor accommodates NEMA (Input Type "A") or IEC (Input Type "G") motor frame sizes. **Table 1** and **Table 2** identify the appropriate motor adapter symbol that pertains to specific motor frame size, drive size, ratio and reduction combinations.

If a motor adapter symbol is not listed for a particular combination of motor frame size, drive size, ratio and reduction, then that combination is not offered.

For gear drives (input types "N" and "C"), the motor adapter symbol is not used.

**Table 1 — Input Type A – NEMA Motor Adapter Symbols**

Motor Frame Size	Drive Sizes																			
	03				04				05				06				07			
	Triple		Quintuple		Triple		Quintuple		Triple		Quintuple		Triple		Quintuple		Triple		Quintuple	
	8.0 - 20.	25. - 125	125 - 250	280 & Over	8.0 - 32.	36. - 125	125 - 360	400 & Over	8.0 - 25.	28. - 125	125 - 400	450 & Over	8.0 - 25.	28. - 125	125 - 400	450 & Over	8.0 - 20.	25. - 125	125 - 400	450 & Over
56C	A	A	A	A	A	A	A	A	–	A	A	A	–	A	A	A	–	A	A	A
143TC/145TC	B	B	B	B	B	B	B	B	–	B	B	B	–	B	B	B	–	B	B	B
182TC/184TC	–	–	–	–	C	–	–	–	C	C	C	–	C	C	C	–	C	C	C	–
213TC/215TC	–	–	–	–	–	–	–	–	D	–	–	–	D	–	–	–	D	D	–	–
254TC/256TC	–	–	–	–	–	–	–	–	–	–	–	–	–	–	–	–	E	–	–	–

Motor Frame Size	Drive Size																
	08				09				10				12				
	Triple		Quintuple		Triple		Quintuple		Triple		Quintuple		Triple		Quintuple		
	8.0 - 32.	36. - 125	125 - 400	450 & Over	8.0 - 40.	45. - 160	160 - 500	560 & Over	8.0 - 36.	40. - 160	160 - 500	560 & Over	8.0 - 40.	45. - 100	112 - 160	160 - 450	500 & Over
56C	–	A	–	A	–	–	–	A	–	–	–	A	–	–	–	–	A
143TC/145TC	–	B	–	B	–	–	–	B	–	–	–	B	–	–	–	–	B
182TC/184TC	C	C	C	C	–	C	C	C	–	C	C	C	–	C	C	C	C
213TC/215TC	D	D	D	–	–	D	D	–	–	D	D	D	–	D	D	D	D
254TC/256TC	E	E	–	–	E	E	–	–	E	E	E	–	E	E	E	E	–
284TC/286TC	–	–	–	–	F	F	–	–	F	F	–	–	F	F	F	–	–
324TC/326TC	–	–	–	–	G	G	–	–	G	G	–	–	G	G	G	–	–
364TC/365TC	–	–	–	–	–	–	–	–	–	–	–	–	H	H	–	–	–
404TC/405TC	–	–	–	–	–	–	–	–	–	–	–	–	J	J	–	–	–

# UB — Motor Adapters

Table 2 — Input Type G – IEC Motor Adapter Symbols

Motor Frame Size	Drive Size																			
	03				04				05				06				07			
	Triple		Quintuple		Triple		Quintuple		Triple		Quintuple		Triple		Quintuple		Triple		Quintuple	
	Ratio Range																			
8.0 - 20.	25. - 125	125 - 250	280 & Over	8.0 - 32.	36. - 125	125 - 360	400 & Over	8.0 - 25.	28. - 125	125 - 400	450 & Over	8.0 - 25.	28. - 125	125 - 400	450 & Over	8.0 - 20.	25. - 125	125 - 400	450 & Over	
63/D	A	A	A	A	–	A	A	A	–	A	–	A	–	A	–	A	–	–	–	A
71/D	B	B	B	B	–	B	B	B	–	B	–	B	–	B	–	B	–	–	–	B
71/C	C	C	C	C	–	C	C	C	–	C	–	C	–	–	–	C	–	–	–	C
80/D	D	D	D	D	D	D	D	D	D	D	D	D	D	D	D	D	–	D	D	D
80/C	E	E	E	E	E	E	E	E	E	E	E	E	E	E	E	E	–	E	E	E
90/D	F	F	F	F	F	F	F	F	F	F	F	F	F	F	F	F	–	F	F	F
90/C	G	G	G	G	G	G	G	G	G	G	G	G	G	G	G	G	–	G	G	G
100/D	–	–	–	–	–	–	–	–	H	H	–	–	H	H	–	–	H	H	–	–
100/C	–	–	–	–	–	–	–	–	J	J	–	–	J	J	–	–	J	J	–	–
112/D	–	–	–	–	–	–	–	–	K	K	–	–	K	K	–	–	K	K	–	–
112/C	–	–	–	–	–	–	–	–	M	M	–	–	M	M	–	–	M	M	–	–
132/D	–	–	–	–	–	–	–	–	N	N	–	–	N	N	–	–	N	N	–	–

Motor Frame Size	Drive Size																
	08				09				10				12				
	Triple		Quintuple		Triple		Quintuple		Triple		Quintuple		Triple			Quintuple	
	Ratio Range																
8.0 - 32.	36. - 125	125 - 400	450 & Over	8.0 - 40.	45. - 160	160 - 500	560 & Over	8.0 - 36.	40. - 160	160 - 500	560 & Over	8.0 - 40.	45. - 100	112 - 160	160 - 450	500 & Over	
63/D	–	–	–	A	–	–	–	A	–	–	–	–	–	–	–	–	–
71/D	–	–	–	B	–	–	–	B	–	–	–	–	–	–	–	–	–
71/C	–	–	–	C	–	–	–	C	–	–	–	–	–	–	–	–	–
80/D	–	D	D	D	–	D	D	D	–	–	–	D	–	–	–	–	D
80/C	–	E	E	E	–	E	E	E	–	–	–	E	–	–	–	–	–
90/D	–	F	F	F	–	F	F	F	–	–	–	F	–	–	–	–	F
90/C	–	G	G	G	–	G	G	G	–	–	–	G	–	–	–	–	G
100/D	H	H	H	H	–	H	H	H	–	H	H	H	–	H	H	H	H
100/C	J	J	J	J	–	J	J	J	–	J	J	J	–	J	J	J	J
112/D	K	K	K	K	–	K	K	K	–	K	K	K	–	K	K	K	K
112/C	M	M	M	M	–	M	M	M	–	M	M	M	–	M	M	M	M
132/D	N	N	N	N	–	N	N	N	–	N	N	N	–	N	N	N	N
132/C	P	P	P	P	–	P	P	P	–	P	P	P	–	P	P	P	P
160/D	R	R	–	–	R	R	–	–	R	R	R	R	R	R	R	R	R
180/D	–	–	–	–	T	T	–	–	T	T	–	–	T	T	T	–	–
200/D	–	–	–	–	U	U	–	–	U	U	–	–	U	U	U	–	–
225/D	–	–	–	–	W	W	–	–	W	W	–	–	W	W	W	–	–
250/D	–	–	–	–	–	–	–	–	–	–	–	–	X	X	–	–	–
280/D	–	–	–	–	–	–	–	–	–	–	–	–	Y	Y	–	–	–



# UB — Gearmotor Selection Table

## 0.25 HP/1750 RPM/56C Frame Motor

Approx Output RPM	Exact Ratio	Actual Output Torque (lb-in)	Service Factor	Overhung Load (lb)	Helical Bevel Gearmotor Less Motor Inch-Dimensioned		Helical Bevel with TA Taper Bushing Gearmotor Less Motor Inch-Dimensioned		
					Drive Designation	Part No.	Drive Designation	Part No.	
210	8.33	75	16.20	901	03UBBQ3A8.0A_A	4765645	Not Available		
156	11.25	102	13.52	994	03UBBQ3A11.A_A	4765648			
137	12.80	116	12.40	1035	03UBBQ3A12.A_A	4765651			
121	14.50	132	11.48	1076	03UBBQ3A14.A_A	4765654			
94	18.54	168	9.76	1161	03UBBQ3A18.A_A	4765657			
88	19.98	181	9.28	1189	03UBBQ3A20.A_A	4765660			
69	25.23	229	7.84	1277	03UBBQ3A25.A_A	4765663			
61	28.60	260	7.16	1326	03UBBQ3A28.A_A	4765666			
54	32.68	296	6.48	1327	03UBBQ3A32.A_A	4765669			
48	36.35	328	6.00	1328	03UBBQ3A36.A_A	4765672			
44	40.08	362	5.56	1328	03UBBQ3A40.A_A	4765675			
40	44.11	401	5.16	1328	03UBBQ3A45.A_A	4765678			
34	51.68	469	4.44	1338	03UBBQ3A50.A_A	4765681			
28	62.00	562	3.71	1340	03UBBQ3A63.A_A	4765684			
24	72.27	655	3.18	1348	03UBBQ3A71.A_A	4765687			
22	80.30	726	2.87	1348	03UBBQ3A80.A_A	4765690			
18	96.70	875	1.97	1348	03UBBQ3A100A_A	4765693			
16	110.83	998	1.48	1348	03UBBQ3A112A_A	4765696			
14	125.96	1139	1.28	1348	03UBBQ3A125A_A	4765699			
14	127.79	1102	1.82	1348	03UBBQ5A125A_A	Refer to Factory			
12	145.34	1254	1.60	1348	03UBBQ5A140A_A				
11	164.66	1422	1.41	1348	03UBBQ5A160A_A				
8.3	210.58	1821	1.10	1348	03UBBQ5A200A_A				
7.7	226.95	1963	1.02	1348	03UBBQ5A250A_A				
6.1	286.52	2482	0.81	1348	03UBBQ5A280A_A				
15	120.15	1081	3.78	1348	04UBBQ3A125A_A				4765767
13	134.38	1167	3.39	1348	04UBBQ5A125A_A				Refer to Factory
12	147.98	1283	3.08	1348	04UBBQ5A140A_A				
10	170.21	1467	2.68	1348	04UBBQ5A160A_A				
8.8	199.90	1734	2.28	1348	04UBBQ5A200A_A				
6.8	257.59	2237	1.77	1348	04UBBQ5A250A_A				
6.2	284.33	2445	1.60	1348	04UBBQ5A280A_A				
5.4	322.40	2808	1.41	1348	04UBBQ5A320A_A				
4.9	355.03	3086	1.28	1348	04UBBQ5A360A_A				
4.3	407.03	3547	1.12	1348	04UBBQ5A400A_A				
3.9	448.23	3900	1.02	1348	04UBBQ5A450A_A				
3.4	508.14	4424	0.90	1348	04UBBQ5A500A_A	Refer to Factory			
3.9	452.95	3971	1.52	1685	05UBBJ5A450A_A				
3.5	498.80	4380	1.36	1685	05UBBJ5A500A_A				
3.1	573.74	5037	1.20	1685	05UBBJ5A560A_A				
2.8	623.76	5476	1.08	1685	05UBBJ5A630A_A				
2.4	725.48	6347	0.96	1685	05UBBJ5A700A_A				
3.9	444.50	3917	1.92	1798	06UBBJ5A450A_A				
3.6	489.49	4319	1.76	1798	06UBBJ5A500A_A				
3.1	563.04	4967	1.52	1798	06UBBJ5A560A_A				
2.9	612.13	5398	1.40	1798	06UBBJ5A630A_A				
2.5	711.95	6261	1.20	1798	06UBBJ5A700A_A				
2.2	796.55	6981	1.08	1798	06UBBJ5A800A_A				
2.0	881.82	7760	0.96	1798	06UBBJ5A900A_A				
3.8	465.77	4137	3.68	3372	07UBBJ5A450A_A				
3.4	512.91	4560	3.32	3372	07UBBJ5A500A_A				
3.0	589.97	5241	2.88	3372	07UBBJ5A560A_A				
2.7	641.41	5695	2.68	3372	07UBBJ5A630A_A				
2.4	737.04	6534	2.32	3372	07UBBJ5A700A_A				
2.1	835.78	7390	2.04	3372	07UBBJ5A800A_A				
1.9	924.00	8177	1.84	3372	07UBBJ5A900A_A				
1.6	1061.77	9383	1.60	3372	07UBBJ5A10CA_A				
1.5	1204.01	10615	1.40	3372	07UBBJ5A11CA_A				
1.4	1267.37	11168	1.36	3372	07UBBJ5A12CA_A				

Motors are available from Rexnord or Rexnord distributors.

0.25 HP/56C Motor  
Falk Part No. 1940393

Conforms to the following specifications:

C-Face motor less base, TEFC, 1750 rpm, 208–230/460 Volts, 3 Phase, 60 Hz, NEMA B, 1.15 Service Factor.

Motors meeting other specifications are available upon request.

# UB — Gearmotor Selection Table

## 0.33 HP/1750 RPM/56C Frame Motor

Approx Output RPM	Exact Ratio	Actual Output Torque (lb-in)	Service Factor	Overhung Load (lb)	Helical Bevel Gearmotor Less Motor Inch-Dimensioned		Helical Bevel with TA Taper Bushing Gearmotor Less Motor Inch-Dimensioned	
					Drive Designation	Part No.	Drive Designation	Part No.
210	8.33	97	12.27	896	03UBBQ3A8.0A_A	4765645	Not Available	
156	11.25	131	10.24	986	03UBBQ3A11.A_A	4765648		
137	12.80	150	9.39	1026	03UBBQ3A12.A_A	4765651		
121	14.50	171	8.70	1066	03UBBQ3A14.A_A	4765654		
94	18.54	218	7.39	1148	03UBBQ3A18.A_A	4765657		
88	19.98	234	7.03	1175	03UBBQ3A20.A_A	4765660		
69	25.23	296	5.94	1260	03UBBQ3A25.A_A	4765663		
61	28.60	337	5.42	1307	03UBBQ3A28.A_A	4765666		
54	32.68	383	4.91	1308	03UBBQ3A32.A_A	4765669		
48	36.35	424	4.55	1309	03UBBQ3A36.A_A	4765672		
44	40.08	467	4.21	1309	03UBBQ3A40.A_A	4765675		
40	44.11	518	3.91	1309	03UBBQ3A45.A_A	4765678		
34	51.68	606	3.36	1328	03UBBQ3A50.A_A	4765681		
28	62.00	726	2.81	1332	03UBBQ3A63.A_A	4765684		
24	72.27	846	2.41	1348	03UBBQ3A71.A_A	4765687		
22	80.30	938	2.17	1348	03UBBQ3A80.A_A	4765690		
18	96.70	1130	1.49	1348	03UBBQ3A100A_A	4765693		
16	110.83	1290	1.12	1348	03UBBQ3A112A_A	4765696		
14	125.96	1472	0.97	1348	03UBBQ3A125A_A	4765699		
14	127.79	1425	1.38	1348	03UBBQ5A125A_A	Refer to Factory		
12	145.34	1621	1.21	1348	03UBBQ5A140A_A			
11	164.66	1838	1.07	1348	03UBBQ5A160A_A			
8.3	210.58	2353	0.84	1348	03UBBQ5A200A_A	▼		
19	93.12	1087	3.36	1348	04UBBQ3A100A_A	4765761		
17	105.69	1230	3.03	1348	04UBBQ3A112A_A	4765764		
15	120.15	1397	2.86	1348	04UBBQ3A125A_A	4765767		
13	134.38	1509	2.57	1348	04UBBQ5A125A_A	Refer to Factory		
12	147.98	1658	2.33	1348	04UBBQ5A140A_A			
10	170.21	1896	2.03	1348	04UBBQ5A160A_A			
8.8	199.90	2241	1.72	1348	04UBBQ5A200A_A	Refer to Factory		
6.8	257.59	2890	1.34	1348	04UBBQ5A250A_A			
6.2	284.33	3159	1.21	1348	04UBBQ5A280A_A			
5.4	322.40	3628	1.07	1348	04UBBQ5A320A_A			
4.9	355.03	3988	0.97	1348	04UBBQ5A360A_A			
3.9	452.95	5132	1.15	1685	05UBBQ5A450A_A			
3.5	498.80	5659	1.03	1685	05UBBQ5A500A_A			
3.1	573.74	6509	0.91	1685	05UBBQ5A560A_A			
3.9	444.50	5062	1.45	1798	06UBBQ5A450A_A			
3.6	489.49	5581	1.33	1798	06UBBQ5A500A_A			
3.1	563.04	6418	1.15	1798	06UBBQ5A560A_A			
2.9	612.13	6976	1.06	1798	06UBBQ5A630A_A			
2.5	711.95	8091	0.91	1798	06UBBQ5A700A_A			
3.8	465.77	5345	2.79	3372	07UBBQ5A450A_A			
3.4	512.91	5893	2.52	3372	07UBBQ5A500A_A			
3.0	589.97	6773	2.18	3372	07UBBQ5A560A_A			
2.7	641.41	7359	2.03	3372	07UBBQ5A630A_A			
2.4	737.04	8443	1.76	3372	07UBBQ5A700A_A			
2.1	835.78	9549	1.55	3372	07UBBQ5A800A_A			
1.9	924.00	10566	1.39	3372	07UBBQ5A900A_A			
1.6	1061.77	12124	1.21	3372	07UBBQ5A10CA_A			
1.5	1204.01	13716	1.06	3372	07UBBQ5A11CA_A			
1.4	1267.37	14431	1.03	3372	07UBBQ5A12CA_A			

Motors are available from Rexnord or Rexnord distributors.

0.33 HP/56C Motor  
Falk Part No. 1940394

Conforms to the following specifications:

C-Face motor less base, TEFC, 1750 rpm, 208–230/460 Volts, 3 Phase, 60 Hz, NEMA B, 1.15 Service Factor.

Motors meeting other specifications are available upon request.

# UB — Gearmotor Selection Table

## 0.50 HP/1750 RPM/56C Frame Motor

Approx Output RPM	Exact Ratio	Actual Output Torque (lb-in)	Service Factor	Overhung Load (lb)	Helical Bevel Gearmotor Less Motor Inch-Dimensioned		Helical Bevel with TA Taper Bushing Gearmotor Less Motor Inch-Dimensioned			
					Drive Designation	Part No.	Drive Designation	Part No.		
210	8.33	150	8.10	884	03UBBQ3A8.0A_A	4765645	Not Available			
156	11.25	204	6.76	969	03UBBQ3A11.A_A	4765648				
137	12.80	233	6.20	1008	03UBBQ3A12.A_A	4765651				
121	14.50	264	5.74	1045	03UBBQ3A14.A_A	4765654				
94	18.54	337	4.88	1121	03UBBQ3A18.A_A	4765657				
88	19.98	363	4.64	1146	03UBBQ3A20.A_A	4765660				
69	25.23	458	3.92	1223	03UBBQ3A25.A_A	4765663				
61	28.60	521	3.58	1265	03UBBQ3A28.A_A	4765666				
54	32.68	593	3.24	1268	03UBBQ3A32.A_A	4765669				
48	36.35	656	3.00	1269	03UBBQ3A36.A_A	4765672				
44	40.08	724	2.78	1270	03UBBQ3A40.A_A	4765675				
40	44.11	802	2.58	1269	03UBBQ3A45.A_A	4765678				
34	51.68	938	2.22	1308	03UBBQ3A50.A_A	4765681				
28	62.00	1124	1.85	1316	03UBBQ3A63.A_A	4765684				
24	72.27	1310	1.59	1348	03UBBQ3A71.A_A	4765687				
22	80.30	1452	1.43	1348	03UBBQ3A80.A_A	4765690				
18	96.70	1750	0.98	1348	03UBBQ3A100A_A	4765693				
14	127.79	2205	0.91	1348	03UBBQ5A125A_A	Refer to Factory				
30	59.24	1072	3.82	1348	04UBBQ3A63.A_A	4765752			Refer to Factory	
25	71.09	1283	3.12	1348	04UBBQ3A71.A_A	4765755				
22	80.10	1438	2.78	1348	04UBBQ3A80.A_A	4765758				
19	93.12	1683	2.22	1348	04UBBQ3A100A_A	4765761				
17	105.69	1904	2.00	1348	04UBBQ3A112A_A	4765764				
15	120.15	2163	1.89	1348	04UBBQ3A125A_A	4765767				
13	134.38	2335	1.69	1348	04UBBQ5A125A_A					
12	147.98	2566	1.54	1348	04UBBQ5A140A_A					
10	170.21	2935	1.34	1348	04UBBQ5A160A_A					
8.8	199.90	3469	1.14	1348	04UBBQ5A200A_A					
6.8	257.59	4474	0.88	1348	04UBBQ5A250A_A		Refer to Factory			
3.9	444.50	7834	0.96	1798	06UBBQ5A450A_A	06UBBJ5A450A_A				
3.8	465.77	8274	1.84	3372	07UBBQ5A450A_A	07UBBJ5A450A_A				
3.4	512.91	9121	1.66	3372	07UBBQ5A500A_A	07UBBJ5A500A_A				
3.0	589.97	10483	1.44	3372	07UBBQ5A560A_A	07UBBJ5A560A_A				
2.7	641.41	11391	1.34	3372	07UBBQ5A630A_A	07UBBJ5A630A_A				
2.4	737.04	13068	1.16	3372	07UBBQ5A700A_A	07UBBJ5A700A_A				
2.1	835.78	14780	1.02	3372	07UBBQ5A800A_A	07UBBJ5A800A_A				
1.9	924.00	16354	0.92	3372	07UBBQ5A900A_A	07UBBJ5A900A_A				

Motors are available from Rexnord or Rexnord distributors.

0.50 HP/56C Motor  
Falk Part No. 1940395

Conforms to the following specifications:

C-Face motor less base, TEFC, 1750 rpm, 208–230/460 Volts, 3 Phase, 60 Hz, NEMA B, 1.15 Service Factor.

Motors meeting other specifications are available upon request.

# UB — Gearmotor Selection Table

## 0.75 HP/1750 RPM/56C Frame Motor

Approx Output RPM	Exact Ratio	Actual Output Torque (lb-in)	Service Factor	Overhung Load (lb)	Helical Bevel Gearmotor Less Motor Inch-Dimensioned		Helical Bevel with TA Taper Bushing Gearmotor Less Motor Inch-Dimensioned			
					Drive Designation	Part No.	Drive Designation	Part No.		
210	8.33	218	5.40	866	03UBBQ3A8.0A A	4765645	Not Available			
156	11.25	295	4.51	945	03UBBQ3A11.A A	4765648				
137	12.80	337	4.13	980	03UBBQ3A12.A A	4765651				
121	14.50	383	3.83	1014	03UBBQ3A14.A A	4765654				
94	18.54	489	3.25	1082	03UBBQ3A18.A A	4765657				
88	19.98	526	3.09	1103	03UBBQ3A20.A A	4765660				
69	25.23	664	2.61	1169	03UBBQ3A25.A A	4765663				
61	28.60	755	2.39	1203	03UBBQ3A28.A A	4765666				
54	32.68	859	2.16	1209	03UBBQ3A32.A A	4765669				
48	36.35	951	2.00	1211	03UBBQ3A36.A A	4765672				
44	40.08	1048	1.85	1212	03UBBQ3A40.A A	4765675				
40	44.11	1162	1.72	1211	03UBBQ3A45.A A	4765678				
34	51.68	1359	1.48	1278	03UBBQ3A50.A A	4765681				
28	62.00	1628	1.24	1292	03UBBQ3A63.A A	4765684				
24	72.27	1897	1.06	1348	03UBBQ3A71.A A	4765687				
22	80.30	2103	0.96	1348	03UBBQ3A80.A A	4765690				
49	35.83	938	3.93	1348	04UBBQ3A36.A A	4765740				
44	39.46	1037	3.56	1348	04UBBQ3A40.A A	4765743				
39	45.39	1193	3.20	1348	04UBBQ3A45.A A	4765746				
35	49.35	1295	3.00	1348	04UBBQ3A50.A A	4765749				
30	59.24	1553	2.55	1348	04UBBQ3A63.A A	4765752				
25	71.09	1858	2.08	1348	04UBBQ3A71.A A	4765755				
22	80.10	2082	1.85	1348	04UBBQ3A80.A A	4765758				
19	93.12	2437	1.48	1348	04UBBQ3A100A A	4765761				
17	105.69	2758	1.33	1348	04UBBQ3A112A A	4765764				
15	120.15	3133	1.26	1348	04UBBQ3A125A A	4765767				
13	134.38	3382	1.13	1348	04UBBQ5A125A A	Refer to Factory				
12	147.98	3716	1.03	1348	04UBBQ5A140A A					
10	170.21	4250	0.89	1348	04UBBQ5A160A A	Refer to Factory				
18	97.76	2555	2.31	1798	05UBBQ3A100A A				4765827	
16	108.96	2841	2.07	1798	05UBBQ3A112A A	4765831			05UBBJ3A100A A	4765896
14	122.20	3190	1.71	1798	05UBBQ3A125A A	4765835			05UBBJ3A112A A	4765900
16	106.93	2794	2.64	1798	06UBBQ3A112A A	4765969			05UBBJ3A125A A	4765904
15	119.92	3127	1.71	1798	06UBBQ3A125A A	4765973			06UBBJ3A112A A	4766038
14	126.11	3271	3.77	3372	07UBBQ3A125A A	4766130			06UBBJ3A125A A	4766042
3.8	465.77	11981	1.23	3372	07UBBQ5A450A A	Refer to Factory			07UBBJ3A125A A	4766219
3.4	512.91	13207	1.11	3372	07UBBQ5A500A A				07UBBJ5A450A A	Refer to Factory
3.0	589.97	15179	0.96	3372	07UBBQ5A560A A	Refer to Factory			07UBBJ5A500A A	
3.8	462.28	11826	2.03	3523	08UBBQ5A450A A				Refer to Factory	07UBBJ5A560A A
3.5	505.90	12929	1.85	3523	08UBBQ5A500A A	Refer to Factory				08UBBJ5A450A A
3.3	537.67	13756	1.73	3523	08UBBQ5A560A A		Refer to Factory	08UBBJ5A500A A		
2.7	641.16	16404	1.45	3523	08UBBQ5A630A A	Refer to Factory		08UBBJ5A560A A		
2.3	759.86	19435	1.23	3523	08UBBQ5A700A A		Refer to Factory	08UBBJ5A630A A		
2.2	811.29	20747	1.15	3523	08UBBQ5A800A A	Refer to Factory		08UBBJ5A700A A		
2.0	887.84	22690	1.05	3523	08UBBQ5A900A A		Refer to Factory	08UBBJ5A800A A		
1.7	1006.74	25725	0.93	3523	08UBBQ5A10CA A	Refer to Factory		08UBBJ5A900A A		
3.1	562.75	14435	2.52	7643	09UBBQ5A560A A		Refer to Factory	08UBBJ5A10CA A		
2.7	654.52	16788	2.16	7643	09UBBQ5A630A A	Refer to Factory		09UBBJ5A560A A		
2.4	727.17	18612	1.95	7643	09UBBQ5A700A A		Refer to Factory	09UBBJ5A630A A		
2.2	788.65	20202	1.88	7643	09UBBQ5A800A A	Refer to Factory		09UBBJ5A700A A		
1.9	940.44	24088	1.57	7643	09UBBQ5A900A A		Refer to Factory	09UBBJ5A800A A		
1.7	1027.68	26293	1.37	7643	09UBBQ5A10CA A	Refer to Factory		09UBBJ5A900A A		
1.6	1114.56	28535	1.33	7643	09UBBQ5A11CA A		Refer to Factory	09UBBJ5A10CA A		
1.5	1190.00	30461	1.24	7643	09UBBQ5A12CA A	Refer to Factory		09UBBJ5A11CA A		
1.2	1476.68	37761	1.00	7643	09UBBQ5A14CA A		Refer to Factory	09UBBJ5A12CA A		
1.1	1640.59	41880	0.91	7643	09UBBQ5A16CA A	Refer to Factory		09UBBJ5A14CA A		
2.7	650.62	16692	3.84	9689	10UBBQ5A630A A		Refer to Factory	09UBBJ5A16CA A		
2.4	722.98	18509	3.45	9689	10UBBQ5A700A A	Refer to Factory		10UBBJ5A630A A		
2.2	783.15	20030	3.19	9689	10UBBQ5A800A A		Refer to Factory	10UBBJ5A700A A		
1.9	904.27	23148	2.76	9689	10UBBQ5A900A A	Refer to Factory		10UBBJ5A800A A		
1.8	979.53	25051	2.55	9689	10UBBQ5A10CA A		Refer to Factory	10UBBJ5A900A A		
1.5	1170.88	29958	2.16	9689	10UBBQ5A11CA A	Refer to Factory		10UBBJ5A10CA A		
1.4	1268.32	32420	1.97	9689	10UBBQ5A12CA A		Refer to Factory	10UBBJ5A11CA A		
1.2	1470.48	37566	1.71	9689	10UBBQ5A14CA A	Refer to Factory		10UBBJ5A12CA A		
1.1	1634.03	41665	1.53	9689	10UBBQ5A16CA A		Refer to Factory	10UBBJ5A14CA A		
1.0	1753.89	44765	1.43	9689	10UBBQ5A18CA A	Refer to Factory		10UBBJ5A16CA A		
0.9	1948.97	49658	1.28	9689	10UBBQ5A20CA A		Refer to Factory	10UBBJ5A18CA A		
0.8	2134.33	54348	1.17	9689	10UBBQ5A22CA A	Refer to Factory		10UBBJ5A20CA A		
0.7	2561.20	65099	0.97	9689	10UBBQ5A25CA A		Refer to Factory	10UBBJ5A22CA A		
1.5	1140.25	29224	3.72	13779	12UBBQ5A11CA A	Refer to Factory		10UBBJ5A25CA A		
1.4	1225.51	31432	3.40	13796	12UBBQ5A12CA A		Refer to Factory	12UBBJ5A11CA A		
1.2	1518.59	38888	2.80	13779	12UBBQ5A14CA A	Refer to Factory		12UBBJ5A12CA A		
1.0	1711.76	43801	2.48	13779	12UBBQ5A16CA A		Refer to Factory	12UBBJ5A14CA A		
1.0	1811.28	46328	2.35	13779	12UBBQ5A18CA A	Refer to Factory		12UBBJ5A16CA A		
0.9	2041.68	52187	2.08	13779	12UBBQ5A20CA A		Refer to Factory	12UBBJ5A18CA A		
0.8	2235.86	57108	1.89	13779	12UBBQ5A22CA A	Refer to Factory		12UBBJ5A20CA A		
0.7	2683.03	68389	1.59	13779	12UBBQ5A25CA A		Refer to Factory	12UBBJ5A22CA A		
0.6	2887.22	73233	1.47	13779	12UBBQ5A28CA A	Refer to Factory		12UBBJ5A25CA A		
								12UBBJ5A28CA_A		

Motors are available from Rexnord or Rexnord distributors.

0.75 HP/56C Motor  
Falk Part No. 1940396

Conforms to the following specifications:

C-Face motor less base, TEFC, 1750 rpm, 208–230/460 Volts, 3 Phase, 60 Hz, NEMA B, 1.15 Service Factor.

Motors meeting other specifications are available upon request.

# UB — Gearmotor Selection Table

## 1.0 HP/1750 RPM/143TC Frame Motor

Approx Output RPM	Exact Ratio	Actual Output Torque (lb-in)	Service Factor	Overhung Load (lb)	Helical Bevel Gearmotor Less Motor Inch-Dimensioned		Helical Bevel with TA Taper Bushing Gearmotor Less Motor Inch-Dimensioned	
					Drive Designation	Part No.	Drive Designation	Part No.
210	8.33	294	4.05	848	03UBBQ3A8.0A_B	4765646	Not Available	
156	11.25	398	3.38	921	03UBBQ3A11.A_B	4765649		
137	12.80	455	3.10	953	03UBBQ3A12.A_B	4765652		
121	14.50	517	2.87	983	03UBBQ3A14.A_B	4765655		
94	18.54	659	2.44	1042	03UBBQ3A18.A_B	4765658		
88	19.98	709	2.32	1060	03UBBQ3A20.A_B	4765661		
69	25.23	896	1.96	1115	03UBBQ3A25.A_B	4765664		
61	28.60	1019	1.79	1142	03UBBQ3A28.A_B	4765667		
54	32.68	1159	1.62	1150	03UBBQ3A32.A_B	4765670		
48	36.35	1283	1.50	1153	03UBBQ3A36.A_B	4765673		
44	40.08	1414	1.39	1154	03UBBQ3A40.A_B	4765676		
40	44.11	1567	1.29	1153	03UBBQ3A45.A_B	4765679		
34	51.68	1833	1.11	1248	03UBBQ3A50.A_B	4765682		
28	62.00	2196	0.93	1268	03UBBQ3A63.A_B	4765685		
70	25.03	887	3.74	1349	04UBBQ3A25.A_B	4765729		
63	27.76	985	3.46	1349	04UBBQ3A28.A_B	4765733		
55	31.54	1119	3.15	1349	04UBBQ3A32.A_B	4765737		
49	35.83	1266	2.95	1335	04UBBQ3A36.A_B	4765741		
44	39.46	1400	2.67	1334	04UBBQ3A40.A_B	4765744		
39	45.39	1609	2.40	1348	04UBBQ3A45.A_B	4765747		
35	49.35	1746	2.25	1348	04UBBQ3A50.A_B	4765750		
30	59.24	2095	1.91	1348	04UBBQ3A63.A_B	4765753		
25	71.09	2506	1.56	1348	04UBBQ3A71.A_B	4765756		
22	80.10	2808	1.39	1348	04UBBQ3A80.A_B	4765759		
19	93.12	3287	1.11	1348	04UBBQ3A100A_B	4765762		
17	105.69	3720	1.00	1348	04UBBQ3A112A_B	4765765		
15	120.15	4226	0.94	1348	04UBBQ3A125A_B	4765768		
13	134.38	4562	0.85	1348	04UBBQ5A125A_B	Refer to Factory		
38	46.63	1656	3.48	1800	05UBBQ3A45.A_B	4765808	05UBBJ3A45.A_B	4765877
35	49.78	1761	3.31	1800	05UBBQ3A50.A_B	4765812	05UBBJ3A50.A_B	4765881
28	61.78	2186	2.72	1800	05UBBQ3A63.A_B	4765816	05UBBJ3A63.A_B	4765885
24	72.85	2584	2.31	1800	05UBBQ3A71.A_B	4765820	05UBBJ3A71.A_B	4765889
22	79.77	2813	2.11	1800	05UBBQ3A80.A_B	4765824	05UBBJ3A80.A_B	4765893
18	97.76	3446	1.73	1723	05UBBQ3A100A_B	4765828	05UBBJ3A100A_B	4765897
16	108.96	3832	1.55	1776	05UBBQ3A112A_B	4765832	05UBBJ3A112A_B	4765901
14	122.20	4304	1.28	1732	05UBBQ3A125A_B	4765836	05UBBJ3A125A_B	4765905
15	118.40	4024	1.44	1685	05UBBQ5A125A_B	Refer to Factory	05UBBJ5A125A_B	Refer to Factory
12	142.79	4883	1.20	1685	05UBBQ5A140A_B		05UBBJ5A140A_B	
11	157.35	5382	1.09	1685	05UBBQ5A160A_B		05UBBJ5A160A_B	
8.4	207.81	7074	0.82	1685	05UBBQ5A200A_B		05UBBJ5A200A_B	
29	60.62	2145	3.48	1798	06UBBQ3A63.A_B		4765954	
24	71.49	2524	2.96	1798	06UBBQ3A71.A_B	4765958	06UBBJ3A71.A_B	4766027
22	78.28	2762	2.70	1798	06UBBQ3A80.A_B	4765962	06UBBJ3A80.A_B	4766031
18	95.93	3381	2.21	1798	06UBBQ3A100A_B	4765966	06UBBJ3A100A_B	4766035
16	106.93	3769	1.98	1798	06UBBQ3A112A_B	4765970	06UBBJ3A112A_B	4766039
15	119.92	4219	1.28	1798	06UBBQ3A125A_B	4765974	06UBBJ3A125A_B	4766043
15	116.19	3979	1.84	1798	06UBBQ5A125A_B	Refer to Factory	06UBBJ5A125A_B	Refer to Factory
12	140.12	4823	1.52	1798	06UBBQ5A140A_B		06UBBJ5A140A_B	
11	154.41	5315	1.38	1798	06UBBQ5A160A_B		06UBBJ5A160A_B	
8.6	203.93	6992	1.05	1798	06UBBQ5A200A_B		06UBBJ5A200A_B	
6.8	259.02	8886	0.82	1798	06UBBQ5A250A_B		06UBBJ5A250A_B	

Motors are available from Rexnord or Rexnord distributors.

1.0 HP/143TC Motor  
Falk Part No. 1940397

Conforms to the following specifications:

C-Face motor less base, TEFC, 1750 rpm, 208–230/460 Volts, 3 Phase, 60 Hz, NEMA B, 1.15 Service Factor.

Motors meeting other specifications are available upon request.

# UB — Gearmotor Selection Table

## 1.0 HP/1750 RPM/143TC Frame Motor

Approx Output RPM	Exact Ratio	Actual Output Torque (lb-in)	Service Factor	Overhung Load (lb)	Helical Bevel Gearmotor Less Motor Inch-Dimensioned		Helical Bevel with TA Taper Bushing Gearmotor Less Motor Inch-Dimensioned	
					Drive Designation	Part No.	Drive Designation	Part No.
15	113.50	3998	3.69	3372	07UBBQ3A112A_B	4766126	07UBBJ3A112A_B	4766215
14	126.11	4412	2.83	3372	07UBBQ3A125A_B	4766131	07UBBJ3A125A_B	4766220
15	120.29	4173	3.44	3372	07UBBQ5A125A_B	Refer to Factory	07UBBJ5A125A_B	Refer to Factory
13	133.48	4650	3.10	3372	07UBBQ5A140A_B		07UBBJ5A140A_B	
12	147.09	5124	2.81	3372	07UBBQ5A160A_B		07UBBJ5A160A_B	
8.3	211.12	7328	1.96	3372	07UBBQ5A200A_B		07UBBJ5A200A_B	
7.5	233.36	8117	1.77	3372	07UBBQ5A250A_B		07UBBJ5A250A_B	
6.6	265.10	9221	1.56	3372	07UBBQ5A280A_B		07UBBJ5A280A_B	
5.7	304.63	10573	1.36	3372	07UBBQ5A320A_B		07UBBJ5A320A_B	
4.7	373.86	12976	1.11	3372	07UBBQ5A360A_B		07UBBJ5A360A_B	
4.2	414.65	14389	1.03	3372	07UBBQ5A400A_B		07UBBJ5A400A_B	
3.8	465.77	16161	0.92	3372	07UBBQ5A450A_B		07UBBJ5A450A_B	
3.8	462.28	15953	1.52	3523	08UBBQ5A450A_B		08UBBJ5A450A_B	
3.5	505.90	17440	1.39	3523	08UBBQ5A500A_B		08UBBJ5A500A_B	
3.3	537.67	18555	1.30	3523	08UBBQ5A560A_B		08UBBJ5A560A_B	
2.7	641.16	22127	1.09	3523	08UBBQ5A630A_B		08UBBJ5A630A_B	
2.3	759.86	26216	0.92	3523	08UBBQ5A700A_B		08UBBJ5A700A_B	
3.1	562.75	19472	1.89	7643	09UBBQ5A560A_B		09UBBJ5A560A_B	
2.7	654.52	22646	1.62	7643	09UBBQ5A630A_B		09UBBJ5A630A_B	
2.4	727.17	25106	1.46	7643	09UBBQ5A700A_B		09UBBJ5A700A_B	
2.2	788.65	27251	1.41	7643	09UBBQ5A800A_B		09UBBJ5A800A_B	
1.9	940.44	32493	1.18	7643	09UBBQ5A900A_B		09UBBJ5A900A_B	
1.7	1027.68	35466	1.03	7643	09UBBQ5A10CA_B		09UBBJ5A10CA_B	
1.6	1114.56	38492	1.00	7643	09UBBQ5A11CA_B		09UBBJ5A11CA_B	
1.5	1190.00	41089	0.93	7643	09UBBQ5A12CA_B		09UBBJ5A12CA_B	
3.4	514.73	17815	3.64	9689	10UBBQ5A500A_B		10UBBJ5A500A_B	
3.1	566.20	19596	3.31	9689	10UBBQ5A560A_B		10UBBJ5A560A_B	
2.7	650.62	22516	2.88	9689	10UBBQ5A630A_B		10UBBJ5A630A_B	
2.4	722.98	24967	2.59	9689	10UBBQ5A700A_B		10UBBJ5A700A_B	
2.2	783.15	27019	2.39	9689	10UBBQ5A800A_B		10UBBJ5A800A_B	
1.9	904.27	31225	2.07	9689	10UBBQ5A900A_B		10UBBJ5A900A_B	
1.8	979.53	33791	1.91	9689	10UBBQ5A10CA_B		10UBBJ5A10CA_B	
1.5	1170.88	40410	1.60	9689	10UBBQ5A11CA_B	10UBBJ5A11CA_B		
1.4	1268.32	43732	1.48	9689	10UBBQ5A12CA_B	10UBBJ5A12CA_B		
1.2	1470.48	50673	1.28	9689	10UBBQ5A14CA_B	10UBBJ5A14CA_B		
1.1	1634.03	56203	1.15	9689	10UBBQ5A16CA_B	10UBBJ5A16CA_B		
1.0	1753.89	60385	1.07	9689	10UBBQ5A18CA_B	10UBBJ5A18CA_B		
0.9	1948.97	66984	0.96	9689	10UBBQ5A20CA_B	10UBBJ5A20CA_B		
2.2	808.78	28003	3.93	13779	12UBBQ5A800A_B	12UBBJ5A800A_B		
1.8	946.46	32777	3.31	13796	12UBBQ5A900A_B	12UBBJ5A900A_B		
1.7	1011.58	35007	3.15	13779	12UBBQ5A10CA_B	12UBBJ5A10CA_B		
1.5	1140.25	39420	2.79	13779	12UBBQ5A11CA_B	12UBBJ5A11CA_B		
1.4	1225.51	42400	2.55	13796	12UBBQ5A12CA_B	12UBBJ5A12CA_B		
1.2	1518.59	52457	2.10	13779	12UBBQ5A14CA_B	12UBBJ5A14CA_B		
1.0	1711.76	59084	1.86	13779	12UBBQ5A16CA_B	12UBBJ5A16CA_B		
1.0	1811.28	62493	1.76	13779	12UBBQ5A18CA_B	12UBBJ5A18CA_B		
0.9	2041.68	70396	1.56	13779	12UBBQ5A20CA_B	12UBBJ5A20CA_B		
0.8	2235.86	77034	1.42	13779	12UBBQ5A22CA_B	12UBBJ5A22CA_B		
0.7	2683.03	92250	1.19	13779	12UBBQ5A25CA_B	12UBBJ5A25CA_B		
0.6	2887.22	98785	1.10	13779	12UBBQ5A28CA_B	12UBBJ5A28CA_B		

Motors are available from Rexnord or Rexnord distributors.

1.0 HP/143TC Motor  
Falk Part No. 1940397

Conforms to the following specifications:

C-Face motor less base, TEFC, 1750 rpm, 208–230/460 Volts, 3 Phase, 60 Hz, NEMA B, 1.15 Service Factor.

Motors meeting other specifications are available upon request.



## UB — Gearmotor Selection Table

### 1.5 HP/1750 RPM/145TC Frame Motor

Approx Output RPM	Exact Ratio	Actual Output Torque (lb-in)	Service Factor	Overhung Load (lb)	Helical Bevel Gearmotor Less Motor Inch-Dimensioned		Helical Bevel with TA Taper Bushing Gearmotor Less Motor Inch-Dimensioned	
					Drive Designation	Part No.	Drive Designation	Part No.
210	8.33	442	2.70	812	03UBBQ3A8.0A_B	4765646	Not Available ↓	
156	11.25	598	2.25	873	03UBBQ3A11.A_B	4765649		
137	12.80	683	2.07	898	03UBBQ3A12.A_B	4765652		
121	14.50	775	1.91	920	03UBBQ3A14.A_B	4765655		
94	18.54	989	1.63	962	03UBBQ3A18.A_B	4765658		
88	19.98	1064	1.55	973	03UBBQ3A20.A_B	4765661		
69	25.23	1344	1.31	1007	03UBBQ3A25.A_B	4765664		
61	28.60	1529	1.19	1019	03UBBQ3A28.A_B	4765667		
54	32.68	1739	1.08	1032	03UBBQ3A32.A_B	4765670		
48	36.35	1924	1.00	1036	03UBBQ3A36.A_B	4765673		
44	40.08	2121	0.93	1039	03UBBQ3A40.A_B	4765676		
141	12.45	661	4.01	1259	04UBBQ3A12.A_B	4765713		
124	14.14	754	3.69	1299	04UBBQ3A14.A_B	4765717		
97	17.95	954	3.15	1349	04UBBQ3A18.A_B	4765721		
86	20.40	1087	2.88	1349	04UBBQ3A20.A_B	4765725		
70	25.03	1331	2.49	1319	04UBBQ3A25.A_B	4765729		
63	27.76	1478	2.31	1321	04UBBQ3A28.A_B	4765733		
55	31.54	1679	2.10	1321	04UBBQ3A32.A_B	4765737		
49	35.83	1899	1.97	1309	04UBBQ3A36.A_B	4765741		
44	39.46	2100	1.78	1306	04UBBQ3A40.A_B	4765744		
39	45.39	2414	1.60	1348	04UBBQ3A45.A_B	4765747		
35	49.35	2620	1.50	1348	04UBBQ3A50.A_B	4765750		
30	59.24	3142	1.27	1348	04UBBQ3A63.A_B	4765753		
25	71.09	3760	1.05	1348	04UBBQ3A71.A_B	4765756		
22	80.10	4213	0.93	1348	04UBBQ3A80.A_B	4765759		
62	28.37	1509	3.38	1538	05UBBQ3A28.A_B	4765792	05UBBJ3A28.A_B	4765861
53	32.99	1759	3.01	1583	05UBBQ3A32.A_B	4765796	05UBBJ3A32.A_B	4765865
47	36.91	1963	2.83	1616	05UBBQ3A36.A_B	4765800	05UBBJ3A36.A_B	4765869
44	39.34	2095	2.64	1634	05UBBQ3A40.A_B	4765804	05UBBJ3A40.A_B	4765873
38	46.63	2485	2.32	1646	05UBBQ3A45.A_B	4765808	05UBBJ3A45.A_B	4765877
35	49.78	2642	2.21	1639	05UBBQ3A50.A_B	4765812	05UBBJ3A50.A_B	4765881
28	61.78	3280	1.81	1623	05UBBQ3A63.A_B	4765816	05UBBJ3A63.A_B	4765885
24	72.85	3877	1.54	1651	05UBBQ3A71.A_B	4765820	05UBBJ3A71.A_B	4765889
22	79.77	4220	1.41	1643	05UBBQ3A80.A_B	4765824	05UBBJ3A80.A_B	4765893
18	97.76	5169	1.15	1574	05UBBQ3A100A_B	4765828	05UBBJ3A100A_B	4765897
16	108.96	5749	1.03	1733	05UBBQ3A112A_B	4765832	05UBBJ3A112A_B	4765901
14	122.20	6456	0.85	1601	05UBBQ3A125A_B	4765836	05UBBJ3A125A_B	4765905
15	118.40	6036	0.96	1685	05UBBQ5A125A_B	Refer to Factory	05UBBJ5A125A_B	Refer to Factory
48	36.22	1926	3.88	1798	06UBBQ3A36.A_B	4765938	06UBBJ3A36.A_B	4766007
45	38.61	2053	3.64	1798	06UBBQ3A40.A_B	4765942	06UBBJ3A40.A_B	4766011
38	45.76	2432	3.07	1798	06UBBQ3A45.A_B	4765946	06UBBJ3A45.A_B	4766015
36	48.86	2599	2.88	1798	06UBBQ3A50.A_B	4765950	06UBBJ3A50.A_B	4766019
29	60.62	3218	2.32	1792	06UBBQ3A63.A_B	4765954	06UBBJ3A63.A_B	4766023
24	71.49	3786	1.97	1798	06UBBQ3A71.A_B	4765958	06UBBJ3A71.A_B	4766027
22	78.28	4143	1.80	1798	06UBBQ3A80.A_B	4765962	06UBBJ3A80.A_B	4766031
18	95.93	5072	1.47	1798	06UBBQ3A100A_B	4765966	06UBBJ3A100A_B	4766035
16	106.93	5654	1.32	1798	06UBBQ3A112A_B	4765970	06UBBJ3A112A_B	4766039
15	119.92	6328	0.85	1798	06UBBQ3A125A_B	4765974	06UBBJ3A125A_B	4766043

Motors are available from Rexnord or Rexnord distributors.

1.5 HP/145TC Motor  
Falk Part No. 1940398

Conforms to the following specifications:

C-Face motor less base, TEFC, 1750 rpm, 208–230/460 Volts, 3 Phase, 60 Hz, NEMA B, 1.15 Service Factor.

Motors meeting other specifications are available upon request.

# UB — Gearmotor Selection Table

## 1.5 HP/1750 RPM/145TC Frame Motor

Approx Output RPM	Exact Ratio	Actual Output Torque (lb-in)	Service Factor	Overhung Load (lb)	Helical Bevel Gearmotor Less Motor Inch-Dimensioned		Helical Bevel with TA Taper Bushing Gearmotor Less Motor Inch-Dimensioned			
					Drive Designation	Part No.	Drive Designation	Part No.		
15	116.19	5969	1.23	1798	06UBBQ5A125A_B	Refer to Factory	06UBBJ5A125A_B	Refer to Factory		
12	140.12	7234	1.01	1798	06UBBQ5A140A_B		06UBBJ5A140A_B			
11	154.41	7973	0.92	1798	06UBBQ5A160A_B		06UBBJ5A160A_B			
23	75.07	3981	3.82	3372	07UBBQ3A71.A_B	4766111	07UBBJ3A71.A_B	4766200		
21	82.21	4348	3.49	3372	07UBBQ3A80.A_B	4766116	07UBBJ3A80.A_B	4766205		
18	98.65	5215	2.91	3372	07UBBQ3A100A_B	4766121	07UBBJ3A100A_B	4766210		
15	113.50	5998	2.46	3312	07UBBQ3A112A_B	4766126	07UBBJ3A112A_B	4766215		
14	126.11	6618	1.89	3372	07UBBQ3A125A_B	4766131	07UBBJ3A125A_B	4766220		
15	120.29	6260	2.29	3372	07UBBQ5A125A_B	Refer to Factory	07UBBJ5A125A_B	Refer to Factory		
13	133.48	6975	2.07	3372	07UBBQ5A140A_B		07UBBJ5A140A_B			
12	147.09	7686	1.87	3372	07UBBQ5A160A_B		07UBBJ5A160A_B			
8.3	211.12	10992	1.31	3372	07UBBQ5A200A_B		07UBBJ5A200A_B			
7.5	233.36	12175	1.18	3372	07UBBQ5A250A_B		07UBBJ5A250A_B			
6.6	265.10	13832	1.04	3372	07UBBQ5A280A_B		07UBBJ5A280A_B			
5.7	304.63	15860	0.91	3372	07UBBQ5A320A_B		07UBBJ5A320A_B			
14	123.33	6488	3.77	4834	08UBBQ3A125A_B		4762781		08UBBJ3A125A_B	4765194
3.8	462.28	23929	1.01	3523	08UBBQ5A450A_B		Refer to Factory		08UBBJ5A450A_B	Refer to Factory
3.5	505.90	26161	0.93	3523	08UBBQ5A500A_B				08UBBJ5A500A_B	
3.1	562.75	29208	1.26	7643	09UBBQ5A560A_B	09UBBJ5A560A_B				
2.7	654.52	33969	1.08	7643	09UBBQ5A630A_B	09UBBJ5A630A_B				
2.4	727.17	37659	0.97	7643	09UBBQ5A700A_B	09UBBJ5A700A_B				
3.4	514.73	26722	2.43	9689	10UBBQ5A500A_B	10UBBJ5A500A_B				
3.1	566.20	29395	2.21	9689	10UBBQ5A560A_B	10UBBJ5A560A_B				
2.7	650.62	33774	1.92	9689	10UBBQ5A630A_B	10UBBJ5A630A_B				
2.4	722.98	37451	1.73	9689	10UBBQ5A700A_B	10UBBJ5A700A_B				
2.2	783.15	40528	1.59	9689	10UBBQ5A800A_B	10UBBJ5A800A_B				
1.9	904.27	46837	1.38	9689	10UBBQ5A900A_B	10UBBJ5A900A_B				
1.8	979.53	50687	1.27	9689	10UBBQ5A10CA_B	10UBBJ5A10CA_B				
1.5	1170.88	60616	1.07	9689	10UBBQ5A11CA_B	10UBBJ5A11CA_B				
1.4	1268.32	65598	0.99	9689	10UBBQ5A12CA_B	10UBBJ5A12CA_B				
3.3	531.11	27642	3.93	13796	12UBBQ5A500A_B	12UBBJ5A500A_B				
3.0	584.22	30402	3.57	13796	12UBBQ5A560A_B	12UBBJ5A560A_B				
2.6	671.32	34924	3.11	13796	12UBBQ5A630A_B	12UBBJ5A630A_B				
2.3	756.72	39328	2.76	13796	12UBBQ5A700A_B	12UBBJ5A700A_B				
2.2	808.78	42005	2.62	13779	12UBBQ5A800A_B	12UBBJ5A800A_B				
1.8	946.46	49166	2.21	13796	12UBBQ5A900A_B	12UBBJ5A900A_B				
1.7	1011.58	52511	2.10	13779	12UBBQ5A10CA_B	12UBBJ5A10CA_B				
1.5	1140.25	59131	1.86	13779	12UBBQ5A11CA_B	12UBBJ5A11CA_B				
1.4	1225.51	63600	1.70	13796	12UBBQ5A12CA_B	12UBBJ5A12CA_B				
1.2	1518.59	78685	1.40	13779	12UBBQ5A14CA_B	12UBBJ5A14CA_B				
1.0	1711.76	88626	1.24	13779	12UBBQ5A16CA_B	12UBBJ5A16CA_B				
1.0	1811.28	93740	1.17	13779	12UBBQ5A18CA_B	12UBBJ5A18CA_B				
0.9	2041.68	105595	1.04	13779	12UBBQ5A20CA_B	12UBBJ5A20CA_B				
0.8	2235.86	115552	0.95	13779	12UBBQ5A22CA_B	12UBBJ5A22CA_B				

Motors are available from Rexnord or Rexnord distributors.

1.5 HP/145TC Motor  
Falk Part No. 1940398

Conforms to the following specifications:

C-Face motor less base, TEFC, 1750 rpm, 208–230/460 Volts, 3 Phase, 60 Hz, NEMA B, 1.15 Service Factor.

Motors meeting other specifications are available upon request.



## UB — Gearmotor Selection Table

### 2.0 HP/1750 RPM/145TC Frame Motor

Approx Output RPM	Exact Ratio	Actual Output Torque (lb-in)	Service Factor	Overhung Load (lb)	Helical Bevel Gearmotor Less Motor Inch-Dimensioned		Helical Bevel with TA Taper Bushing Gearmotor Less Motor Inch-Dimensioned	
					Drive Designation	Part No.	Drive Designation	Part No.
210	8.33	589	2.03	777	03UBBQ3A8.0A_B	4765646	Not Available	
156	11.25	797	1.69	825	03UBBQ3A11.A_B	4765649		
137	12.80	911	1.55	843	03UBBQ3A12.A_B	4765652		
121	14.50	1034	1.44	858	03UBBQ3A14.A_B	4765655		
94	18.54	1319	1.22	883	03UBBQ3A18.A_B	4765658		
88	19.98	1419	1.16	887	03UBBQ3A20.A_B	4765661		
69	25.23	1792	0.98	898	03UBBQ3A25.A_B	4765664		
217	8.05	570	3.92	1096	04UBBQ3A8.0A_B	4765705		
155	11.30	800	3.20	1186	04UBBQ3A11.A_B	4765709		
141	12.45	882	3.01	1215	04UBBQ3A12.A_B	4765713		
124	14.14	1005	2.77	1250	04UBBQ3A14.A_B	4765717		
97	17.95	1272	2.36	1297	04UBBQ3A18.A_B	4765721		
86	20.40	1449	2.16	1303	04UBBQ3A20.A_B	4765725		
70	25.03	1774	1.87	1290	04UBBQ3A25.A_B	4765729		
63	27.76	1971	1.73	1292	04UBBQ3A28.A_B	4765733		
55	31.54	2239	1.58	1292	04UBBQ3A32.A_B	4765737		
49	35.83	2533	1.48	1284	04UBBQ3A36.A_B	4765741		
44	39.46	2800	1.34	1277	04UBBQ3A40.A_B	4765744		
39	45.39	3218	1.20	1348	04UBBQ3A45.A_B	4765747		
35	49.35	3493	1.13	1348	04UBBQ3A50.A_B	4765750		
30	59.24	4190	0.96	1348	04UBBQ3A63.A_B	4765753		
62	28.37	2013	2.54	1440	05UBBQ3A28.A_B	4765792	05UBBJ3A28.A_B	4765861
53	32.99	2346	2.26	1469	05UBBQ3A32.A_B	4765796	05UBBJ3A32.A_B	4765865
47	36.91	2617	2.13	1489	05UBBQ3A36.A_B	4765800	05UBBJ3A36.A_B	4765869
44	39.34	2794	1.98	1499	05UBBQ3A40.A_B	4765804	05UBBJ3A40.A_B	4765873
38	46.63	3313	1.74	1492	05UBBQ3A45.A_B	4765808	05UBBJ3A45.A_B	4765877
35	49.78	3523	1.66	1479	05UBBQ3A50.A_B	4765812	05UBBJ3A50.A_B	4765881
28	61.78	4373	1.36	1445	05UBBQ3A63.A_B	4765816	05UBBJ3A63.A_B	4765885
24	72.85	5169	1.16	1503	05UBBQ3A71.A_B	4765820	05UBBJ3A71.A_B	4765889
22	79.77	5627	1.06	1487	05UBBQ3A80.A_B	4765824	05UBBJ3A80.A_B	4765893
18	97.76	6892	0.87	1424	05UBBQ3A100A_B	4765828	05UBBJ3A100A_B	4765897
63	27.84	1976	3.75	1798	06UBBQ3A28.A_B	4765930	06UBBJ3A28.A_B	4765999
54	32.38	2297	3.25	1798	06UBBQ3A32.A_B	4765934	06UBBJ3A32.A_B	4766003
48	36.22	2568	2.91	1739	06UBBQ3A36.A_B	4765938	06UBBJ3A36.A_B	4766007
45	38.61	2738	2.73	1734	06UBBQ3A40.A_B	4765942	06UBBJ3A40.A_B	4766011
38	45.76	3243	2.31	1722	06UBBQ3A45.A_B	4765946	06UBBJ3A45.A_B	4766015
36	48.86	3465	2.16	1798	06UBBQ3A50.A_B	4765950	06UBBJ3A50.A_B	4766019
29	60.62	4291	1.74	1785	06UBBQ3A63.A_B	4765954	06UBBJ3A63.A_B	4766023
24	71.49	5049	1.48	1798	06UBBQ3A71.A_B	4765958	06UBBJ3A71.A_B	4766027
22	78.28	5524	1.35	1798	06UBBQ3A80.A_B	4765962	06UBBJ3A80.A_B	4766031
18	95.93	6762	1.11	1798	06UBBQ3A100A_B	4765966	06UBBJ3A100A_B	4766035
16	106.93	7539	0.99	1798	06UBBQ3A112A_B	4765970	06UBBJ3A112A_B	4766039

Motors are available from Rexnord or Rexnord distributors.

2.0 HP/145TC Motor  
Falk Part No. 1940399

Conforms to the following specifications:

C-Face motor less base, TEFC, 1750 rpm, 208–230/460 Volts, 3 Phase, 60 Hz, NEMA B, 1.15 Service Factor.

Motors meeting other specifications are available upon request.

# UB — Gearmotor Selection Table

## 2.0 HP/1750 rpm/145TC Frame Motor

Approx Output RPM	Exact Ratio	Actual Output Torque (lb-in)	Service Factor	Overhung Load (lb)	Helical Bevel Gearmotor Less Motor Inch-Dimensioned		Helical Bevel with TA Taper Bushing Gearmotor Less Motor Inch-Dimensioned	
					Drive Designation	Part No.	Drive Designation	Part No.
15	116.19	7959	0.92	1798	06UBBQ5A125A_B	Refer to Factory	06UBBJ5A125A_B	Refer to Factory
32	54.28	3842	3.96	3371	07UBBQ3A50.A_B	4766101	07UBBJ3A50.A_B	4766190
28	62.94	4453	3.42	3371	07UBBQ3A63.A_B	4766106	07UBBJ3A63.A_B	4766195
23	75.07	5308	2.87	3265	07UBBQ3A71.A_B	4766111	07UBBJ3A71.A_B	4766200
21	82.21	5797	2.62	3260	07UBBQ3A80.A_B	4766116	07UBBJ3A80.A_B	4766205
18	98.65	6953	2.19	3243	07UBBQ3A100A_B	4766121	07UBBJ3A100A_B	4766210
15	113.50	7997	1.85	3252	07UBBQ3A112A_B	4766126	07UBBJ3A112A_B	4766215
14	126.11	8824	1.42	3372	07UBBQ3A125A_B	4766131	07UBBJ3A125A_B	4766220
15	120.29	8347	1.72	3372	07UBBQ5A125A_B	Refer to Factory ↓	07UBBJ5A125A_B	Refer to Factory ↓
13	133.48	9300	1.55	3372	07UBBQ5A140A_B		07UBBJ5A140A_B	
12	147.09	10249	1.41	3372	07UBBQ5A160A_B		07UBBJ5A160A_B	
8.3	211.12	14656	0.98	3372	07UBBQ5A200A_B		07UBBJ5A200A_B	
7.5	233.36	16234	0.89	3372	07UBBQ5A250A_B		07UBBJ5A250A_B	
6.6	265.10	18442	0.78	3372	07UBBQ5A280A_B		07UBBJ5A280A_B	
18	98.08	6914	3.54	4832	08UBBQ3A100A_B	4766251	08UBBJ3A100A_B	4766283
16	107.10	7549	3.24	4832	08UBBQ3A112A_B	4762775	08UBBJ3A112A_B	4765188
14	123.33	8651	2.83	4662	08UBBQ3A125A_B	4762781	08UBBJ3A125A_B	4765194
3.1	562.75	38944	0.95	7643	09UBBQ5A560A_B	Refer to Factory ↓	09UBBJ5A560A_B	Refer to Factory ↓
3.4	514.73	35630	1.82	9689	10UBBQ5A500A_B		10UBBJ5A500A_B	
3.1	566.20	39193	1.66	9689	10UBBQ5A560A_B		10UBBJ5A560A_B	
2.7	650.62	45032	1.44	9689	10UBBQ5A630A_B		10UBBJ5A630A_B	
2.4	722.98	49934	1.30	9689	10UBBQ5A700A_B		10UBBJ5A700A_B	
2.2	783.15	54038	1.20	9689	10UBBQ5A800A_B		10UBBJ5A800A_B	
1.9	904.27	62450	1.04	9689	10UBBQ5A900A_B		10UBBJ5A900A_B	
1.8	979.53	67583	0.96	9689	10UBBQ5A10CA_B		10UBBJ5A10CA_B	
3.3	531.11	36856	2.95	13796	12UBBQ5A500A_B		12UBBJ5A500A_B	
3.0	584.22	40536	2.68	13796	12UBBQ5A560A_B		12UBBJ5A560A_B	
2.6	671.32	46565	2.33	13796	12UBBQ5A630A_B		12UBBJ5A630A_B	
2.3	756.72	52438	2.07	13796	12UBBQ5A700A_B		12UBBJ5A700A_B	
2.2	808.78	56007	1.97	13779	12UBBQ5A800A_B		12UBBJ5A800A_B	
1.8	946.46	65554	1.66	13796	12UBBQ5A900A_B		12UBBJ5A900A_B	
1.7	1011.58	70015	1.58	13779	12UBBQ5A10CA_B		12UBBJ5A10CA_B	
1.5	1140.25	78841	1.40	13779	12UBBQ5A11CA_B		12UBBJ5A11CA_B	
1.4	1225.51	84800	1.28	13796	12UBBQ5A12CA_B	12UBBJ5A12CA_B		
1.2	1518.59	104914	1.05	13779	12UBBQ5A14CA_B	12UBBJ5A14CA_B		
1.0	1711.76	118169	0.93	13779	12UBBQ5A16CA_B	12UBBJ5A16CA_B		

Motors are available from Rexnord or Rexnord distributors.

2.0 HP/145TC Motor  
Falk Part No. 1940399

Conforms to the following specifications:

C-Face motor less base, TEFC, 1750 rpm, 208–230/460 Volts, 3 Phase, 60 Hz, NEMA B, 1.15 Service Factor.

Motors meeting other specifications are available upon request.

## UB — Gearmotor Selection Table

### 3.0 HP/1750 RPM/182TC Frame Motor

Approx Output RPM	Exact Ratio	Actual Output Torque (lb-in)	Service Factor	Overhung Load (lb)	Helical Bevel Gearmotor Less Motor Inch-Dimensioned		Helical Bevel with TA Taper Bushing Gearmotor Less Motor Inch-Dimensioned	
					Drive Designation	Part No.	Drive Designation	Part No.
217	8.05	828	2.61	1055	04UBBQ3A8.0A_C	4765706	—	—
155	11.30	1159	2.13	1144	04UBBQ3A11.A_C	4765710	—	—
141	12.45	1274	2.03	1179	04UBBQ3A12.A_C	4765714	—	—
124	14.14	1449	1.84	1201	04UBBQ3A14.A_C	4765718	—	—
97	17.95	1852	1.58	1219	04UBBQ3A18.A_C	4765722	—	—
86	20.40	2089	1.44	1257	04UBBQ3A20.A_C	4765726	—	—
70	25.03	2566	1.25	1236	04UBBQ3A25.A_C	4765730	—	—
63	27.78	2851	1.15	1233	04UBBQ3A28.A_C	4765734	—	—
55	31.54	3266	1.05	1233	04UBBQ3A32.A_C	4765738	—	—
216	8.11	854	3.97	1053	05UBBQ3A8.0A_C	4765770	05UBBJ3A8.0A_C	4765839
154	11.40	1205	3.22	1116	05UBBQ3A11.A_C	4765773	05UBBJ3A11.A_C	4765842
137	12.78	1350	2.99	1139	05UBBQ3A12.A_C	4765776	05UBBJ3A12.A_C	4765845
122	14.35	1517	2.76	1162	05UBBQ3A14.A_C	4765779	05UBBJ3A14.A_C	4765848
96	18.22	1924	2.34	1203	05UBBQ3A18.A_C	4765782	05UBBJ3A18.A_C	4765851
85	20.66	2181	2.13	1218	05UBBQ3A20.A_C	4765785	05UBBJ3A20.A_C	4765854
71	24.64	2607	1.87	1237	05UBBQ3A25.A_C	4765788	05UBBJ3A25.A_C	4765857
62	28.37	2997	1.69	1244	05UBBQ3A28.A_C	4765793	05UBBJ3A28.A_C	4765862
53	32.99	3492	1.51	1242	05UBBQ3A32.A_C	4765797	05UBBJ3A32.A_C	4765866
47	36.91	3896	1.42	1235	05UBBQ3A36.A_C	4765801	05UBBJ3A36.A_C	4765870
44	39.34	4160	1.32	1227	05UBBQ3A40.A_C	4765805	05UBBJ3A40.A_C	4765874
38	46.63	4932	1.16	1183	05UBBQ3A45.A_C	4765809	05UBBJ3A45.A_C	4765878
35	49.78	5245	1.10	1158	05UBBQ3A50.A_C	4765813	05UBBJ3A50.A_C	4765882
28	61.78	6510	0.91	1091	05UBBQ3A63.A_C	4765817	05UBBJ3A63.A_C	4765886
98	17.88	1893	3.43	1798	06UBBQ3A18.A_C	4765920	06UBBJ3A18.A_C	4765989
86	20.27	2143	3.14	1798	06UBBQ3A20.A_C	4765923	06UBBJ3A20.A_C	4765992
72	24.18	2557	2.77	1798	06UBBQ3A25.A_C	4765926	06UBBJ3A25.A_C	4765995
63	27.84	2942	2.50	1694	06UBBQ3A28.A_C	4765931	06UBBJ3A28.A_C	4766000
54	32.38	3420	2.17	1680	06UBBQ3A32.A_C	4765935	06UBBJ3A32.A_C	4766004
48	36.22	3823	1.94	1619	06UBBQ3A36.A_C	4765939	06UBBJ3A36.A_C	4766008
45	38.61	4076	1.82	1607	06UBBQ3A40.A_C	4765943	06UBBJ3A40.A_C	4766012
38	45.76	4829	1.54	1568	06UBBQ3A45.A_C	4765947	06UBBJ3A45.A_C	4766016
36	48.86	5158	1.44	1798	06UBBQ3A50.A_C	4765951	06UBBJ3A50.A_C	4766020
29	60.62	6389	1.16	1772	06UBBQ3A63.A_C	4765955	06UBBJ3A63.A_C	4766024
24	71.49	7516	0.99	1798	06UBBQ3A71.A_C	4765959	06UBBJ3A71.A_C	4766028
22	78.28	8223	0.90	1798	06UBBQ3A80.A_C	4765963	06UBBJ3A80.A_C	4766032
46	38.01	3997	3.60	3080	07UBBQ3A36.A_C	4766087	07UBBJ3A36.A_C	4766176
42	41.92	4405	3.28	3148	07UBBQ3A40.A_C	4766092	07UBBJ3A40.A_C	4766181
36	48.01	5051	2.97	3238	07UBBQ3A45.A_C	4766097	07UBBJ3A45.A_C	4766186
32	54.28	5719	2.64	3137	07UBBQ3A50.A_C	4766102	07UBBJ3A50.A_C	4766191
28	62.94	6629	2.28	3115	07UBBQ3A63.A_C	4766107	07UBBJ3A63.A_C	4766196
23	75.07	7903	1.91	3051	07UBBQ3A71.A_C	4766112	07UBBJ3A71.A_C	4766201
21	82.21	8630	1.75	3035	07UBBQ3A80.A_C	4766117	07UBBJ3A80.A_C	4766206
18	98.65	10351	1.46	2984	07UBBQ3A100.A_C	4766122	07UBBJ3A100.A_C	4766211
15	113.50	11906	1.23	3132	07UBBQ3A112.A_C	4766127	07UBBJ3A112.A_C	4766216
14	126.11	13137	0.94	3372	07UBBQ3A125.A_C	4766132	07UBBJ3A125.A_C	4766221

Motors are available from Rexnord or Rexnord distributors.

3.0 HP/182TC Motor  
Falk Part No. 1940400

Conforms to the following specifications:

C-Face motor less base, TEFC, 1750 rpm, 208–230/460 Volts, 3 Phase, 60 Hz, NEMA B, 1.15 Service Factor.

Motors meeting other specifications are available upon request.

## UB — Gearmotor Selection Table

### 3.0 HP/1750 RPM/182TC Frame Motor

Approx Output RPM	Exact Ratio	Actual Output Torque (lb-in)	Service Factor	Overhung Load (lb)	Helical Bevel Gearmotor Less Motor Inch-Dimensioned		Helical Bevel with TA Taper Bushing Gearmotor Less Motor Inch-Dimensioned	
					Drive Designation	Part No.	Drive Designation	Part No.
28	62.47	6565	3.70	4229	08UBBQ3A63.A_C	4766246	08UBBJ3A63.A_C	4766278
24	72.86	7646	3.17	4368	08UBBQ3A71.A_C	4762752	08UBBJ3A71.A_C	4765165
22	80.03	8398	2.89	4438	08UBBQ3A80.A_C	4762758	08UBBJ3A80.A_C	4765171
18	98.08	10293	2.36	4455	08UBBQ3A100A_C	4766252	08UBBJ3A100A_C	4766284
16	107.10	11238	2.16	4435	08UBBQ3A112A_C	4762776	08UBBJ3A112A_C	4765189
14	123.33	12878	1.88	4319	08UBBQ3A125A_C	4762782	08UBBJ3A125A_C	4765195
13	132.19	13570	1.77	3523	08UBBQ5A125A_C	Refer to Factory ↓	08UBBJ5A125A_C	Refer to Factory ↓
12	144.67	14830	1.62	3523	08UBBQ5A140A_C		08UBBJ5A140A_C	
11	163.67	16719	1.43	3523	08UBBQ5A160A_C		08UBBJ5A160A_C	
8.6	203.40	20854	1.03	3523	08UBBQ5A200A_C		08UBBJ5A200A_C	
6.8	255.90	26241	0.91	3523	08UBBQ5A250A_C		08UBBJ5A250A_C	
19	93.71	9810	3.87	7643	09UBBQ3A100A_C	4762896	09UBBJ3A100A_C	4765309
16	106.99	11215	3.02	7643	09UBBQ3A112A_C	4762902	09UBBJ3A112A_C	4765315
15	120.31	12591	2.70	7643	09UBBQ3A125A_C	4762908	09UBBJ3A125A_C	4765321
14	128.92	13465	2.81	7643	09UBBQ3A140A_C	4762914	09UBBJ3A140A_C	4765327
12	144.96	15101	2.50	7643	09UBBQ3A160A_C	4762920	09UBBJ3A160A_C	4765333
11	160.93	16573	2.20	7643	09UBBQ5A160A_C	Refer to Factory ↓	09UBBJ5A160A_C	Refer to Factory ↓
7.7	226.25	23303	1.57	7643	09UBBQ5A200A_C		09UBBJ5A200A_C	
6.9	253.59	26120	1.40	7643	09UBBQ5A250A_C		09UBBJ5A250A_C	
6.2	281.74	28944	1.26	7643	09UBBQ5A280A_C		09UBBJ5A280A_C	
5.5	316.25	32492	1.12	7643	09UBBQ5A320A_C		09UBBJ5A320A_C	
4.8	361.50	37239	0.98	7643	09UBBQ5A360A_C		09UBBJ5A360A_C	
4.4	401.62	41270	0.88	7643	09UBBQ5A400A_C		09UBBJ5A400A_C	
3.4	514.73	53042	1.21	9689	10UBBQ5A500A_C		10UBBJ5A500A_C	
3.1	566.20	58347	1.10	9689	10UBBQ5A560A_C		10UBBJ5A560A_C	
2.7	650.62	67040	0.96	9689	10UBBQ5A630A_C		10UBBJ5A630A_C	
2.4	722.98	74337	0.86	9689	10UBBQ5A700A_C		10UBBJ5A700A_C	
3.3	531.11	54867	1.96	13796	12UBBQ5A500A_C		12UBBJ5A500A_C	
3.0	584.22	60346	1.79	13796	12UBBQ5A560A_C		12UBBJ5A560A_C	
2.6	671.32	69321	1.55	13796	12UBBQ5A630A_C		12UBBJ5A630A_C	
2.3	756.72	78064	1.38	13796	12UBBQ5A700A_C		12UBBJ5A700A_C	
2.2	808.78	83378	1.31	13779	12UBBQ5A800A_C	12UBBJ5A800A_C		
1.8	946.46	97590	1.10	13796	12UBBQ5A900A_C	12UBBJ5A900A_C		
1.7	1011.58	104231	1.05	13779	12UBBQ5A10CA_C	12UBBJ5A10CA_C		
1.5	1140.25	117371	0.93	13779	12UBBQ5A11CA_C	12UBBJ5A11CA_C		
1.4	1225.51	126241	0.85	13796	12UBBQ5A12CA_C	12UBBJ5A12CA_C		

Motors are available from Rexnord or Rexnord distributors.

3.0 HP/182TC Motor  
Falk Part No. 1940400

Conforms to the following specifications:

C-Face motor less base, TEFC, 1750 rpm, 208–230/460 Volts, 3 Phase, 60 Hz, NEMA B, 1.15 Service Factor.

Motors meeting other specifications are available upon request.

## UB — Gearmotor Selection Table

### 5.0 HP/1750 RPM/184TC Frame Motor

Approx Output RPM	Exact Ratio	Actual Output Torque (lb-in)	Service Factor	Overhung Load (lb)	Helical Bevel Gearmotor Less Motor Inch-Dimensioned		Helical Bevel with TA Taper Bushing Gearmotor Less Motor Inch-Dimensioned	
					Drive Designation	Part No.	Drive Designation	Part No.
217	8.05	1380	1.57	971	04UBBQ3A8.0A_C	4765706	—	—
155	11.30	1931	1.28	1052	04UBBQ3A11.A_C	4765710	—	—
141	12.45	2123	1.22	1059	04UBBQ3A12.A_C	4765714	—	—
124	14.14	2414	1.11	1080	04UBBQ3A14.A_C	4765718	—	—
97	17.95	3086	0.95	1095	04UBBQ3A18.A_C	4765722	—	—
216	8.11	1557	2.38	913	05UBBQ3A8.0A_C	4765770	05UBBJ3A8.0A_C	4765839
154	11.40	2195	1.93	919	05UBBQ3A11.A_C	4765773	05UBBJ3A11.A_C	4765842
137	12.78	2459	1.79	919	05UBBQ3A12.A_C	4765776	05UBBJ3A12.A_C	4765845
122	14.35	2765	1.66	915	05UBBQ3A14.A_C	4765779	05UBBJ3A14.A_C	4765848
96	18.22	3505	1.40	889	05UBBQ3A18.A_C	4765782	05UBBJ3A18.A_C	4765851
85	20.66	3973	1.28	863	05UBBQ3A20.A_C	4765785	05UBBJ3A20.A_C	4765854
71	24.64	4750	1.12	813	05UBBQ3A25.A_C	4765788	05UBBJ3A25.A_C	4765857
62	28.37	5459	1.01	755	05UBBQ3A28.A_C	4765793	05UBBJ3A28.A_C	4765862
220	7.96	1529	3.44	1404	06UBBQ3A8.0A_C	4765908	06UBBJ3A8.0A_C	4765977
156	11.19	2150	2.82	1453	06UBBQ3A11.A_C	4765911	06UBBJ3A11.A_C	4765980
140	12.54	2416	2.62	1479	06UBBQ3A12.A_C	4765914	06UBBJ3A12.A_C	4765983
124	14.08	2712	2.42	1504	06UBBQ3A14.A_C	4765917	06UBBJ3A14.A_C	4765986
98	17.88	3449	2.06	1538	06UBBQ3A18.A_C	4765920	06UBBJ3A18.A_C	4765989
86	20.27	3904	1.88	1529	06UBBQ3A20.A_C	4765923	06UBBJ3A20.A_C	4765992
72	24.18	4658	1.66	1508	06UBBQ3A25.A_C	4765926	06UBBJ3A25.A_C	4765995
63	27.84	5361	1.50	1434	06UBBQ3A28.A_C	4765931	06UBBJ3A28.A_C	4766000
54	32.38	6232	1.30	1387	06UBBQ3A32.A_C	4765935	06UBBJ3A32.A_C	4766004
48	36.22	6964	1.16	1321	06UBBQ3A36.A_C	4765939	06UBBJ3A36.A_C	4766008
45	38.61	7426	1.09	1288	06UBBQ3A40.A_C	4765943	06UBBJ3A40.A_C	4766012
203	8.60	1639	4.24	2059	07UBBQ3A8.0A_C	4766046	07UBBJ3A8.0A_C	4766135
147	11.91	2278	4.24	2158	07UBBQ3A11.A_C	4766050	07UBBJ3A11.A_C	4766139
131	13.37	2570	4.24	2216	07UBBQ3A12.A_C	4766054	07UBBJ3A12.A_C	4766143
119	14.71	2820	4.20	2270	07UBBQ3A14.A_C	4766058	07UBBJ3A14.A_C	4766147
91	19.21	3715	3.50	2382	07UBBQ3A18.A_C	4766062	07UBBJ3A18.A_C	4766151
80	21.84	4217	3.18	2450	07UBBQ3A20.A_C	4766066	07UBBJ3A20.A_C	4766155
66	26.52	5115	2.76	2519	07UBBQ3A25.A_C	4766072	07UBBJ3A25.A_C	4766161
60	29.17	5591	2.58	2545	07UBBQ3A28.A_C	4766077	07UBBJ3A28.A_C	4766166
52	33.52	6457	2.32	2580	07UBBQ3A32.A_C	4766082	07UBBJ3A32.A_C	4766171
46	38.01	7282	2.16	2607	07UBBQ3A36.A_C	4766087	07UBBJ3A36.A_C	4766176
42	41.92	8026	1.97	2624	07UBBQ3A40.A_C	4766092	07UBBJ3A40.A_C	4766181
36	48.01	9203	1.78	2636	07UBBQ3A45.A_C	4766097	07UBBJ3A45.A_C	4766186
32	54.28	10419	1.58	2550	07UBBQ3A50.A_C	4766102	07UBBJ3A50.A_C	4766191
28	62.94	12077	1.37	2476	07UBBQ3A63.A_C	4766107	07UBBJ3A63.A_C	4766196
23	75.07	14397	1.15	2517	07UBBQ3A71.A_C	4766112	07UBBJ3A71.A_C	4766201
21	82.21	15722	1.05	2472	07UBBQ3A80.A_C	4766117	07UBBJ3A80.A_C	4766206
53	33.24	6352	3.84	3304	08UBBQ3A32.A_C	4762714	08UBBJ3A32.A_C	4765127
47	36.88	7045	3.58	3349	08UBBQ3A36.A_C	4766234	08UBBJ3A36.A_C	4766266
43	40.36	7757	3.36	3416	08UBBQ3A40.A_C	4766240	08UBBJ3A40.A_C	4766272
38	45.66	8756	3.02	3466	08UBBQ3A45.A_C	4762728	08UBBJ3A45.A_C	4765141
34	51.54	9875	2.68	3517	08UBBQ3A50.A_C	4762734	08UBBJ3A50.A_C	4765147
28	62.47	11959	2.22	3578	08UBBQ3A63.A_C	4766246	08UBBJ3A63.A_C	4766278
24	72.86	13930	1.90	3606	08UBBQ3A71.A_C	4762752	08UBBJ3A71.A_C	4765165
22	80.03	15299	1.73	3605	08UBBQ3A80.A_C	4762758	08UBBJ3A80.A_C	4765171
18	98.08	18751	1.41	3513	08UBBQ3A100A_C	4766252	08UBBJ3A100A_C	4766284
16	107.10	20473	1.30	3443	08UBBQ3A112A_C	4762776	08UBBJ3A112A_C	4765189
14	123.33	23461	1.13	3461	08UBBQ3A125A_C	4762782	08UBBJ3A125A_C	4765195

Motors are available from Rexnord or Rexnord distributors.

5.0 HP/184TC Motor  
Falk Part No. 1940401

Conforms to the following specifications:

C-Face motor less base, TEFC, 1750 rpm, 208–230/460 Volts, 3 Phase, 60 Hz, NEMA B, 1.15 Service Factor.

Motors meeting other specifications are available upon request.

# UB — Gearmotor Selection Table

## 5.0 HP/1750 RPM/184TC Frame Motor

Approx Output RPM	Exact Ratio	Actual Output Torque (lb-in)	Service Factor	Overhung Load (lb)	Helical Bevel Gearmotor Less Motor Inch-Dimensioned		Helical Bevel with TA Taper Bushing Gearmotor Less Motor Inch-Dimensioned	
					Drive Designation	Part No.	Drive Designation	Part No.
13	132.19	24721	1.06	3523	08UBBQ5A125A_C	Refer to Factory	08UBBJ5A125A_C	Refer to Factory
39	44.89	8591	4.30	7643	09UBBQ3A45.A_C	4762854	09UBBJ3A45.A_C	4765267
35	49.87	9539	3.88	7643	09UBBQ3A50.A_C	4762860	09UBBJ3A50.A_C	4765273
32	54.09	10339	4.00	7643	09UBBQ3A56.A_C	4762866	09UBBJ3A56.A_C	4765279
29	60.10	11496	3.60	7643	09UBBQ3A63.A_C	4762872	09UBBJ3A63.A_C	4765285
25	70.45	13429	2.76	7643	09UBBQ3A71.A_C	4762878	09UBBJ3A71.A_C	4765291
22	77.78	14905	2.48	7643	09UBBQ3A80.A_C	4762884	09UBBJ3A80.A_C	4765297
21	84.89	16182	2.56	7643	09UBBQ3A90.A_C	4762890	09UBBJ3A90.A_C	4765303
19	93.71	17871	2.32	7643	09UBBQ3A100A_C	4762896	09UBBJ3A100A_C	4765309
16	106.99	20431	1.81	7643	09UBBQ3A112A_C	4762902	09UBBJ3A112A_C	4765315
15	120.31	22938	1.62	7643	09UBBQ3A125A_C	4762908	09UBBJ3A125A_C	4765321
14	128.92	24531	1.68	7643	09UBBQ3A140A_C	4762914	09UBBJ3A140A_C	4765327
12	144.96	27509	1.50	7643	09UBBQ3A160A_C	4762920	09UBBJ3A160A_C	4765333
11	160.93	30192	1.32	7643	09UBBQ5A160A_C	Refer to Factory	09UBBJ5A160A_C	Refer to Factory
20	86.53	16581	4.30	11217	10UBBQ3A90.A_C	4763771	10UBBJ3A90.A_C	4765431
18	99.70	19086	3.74	11217	10UBBQ3A100A_C	4763777	10UBBJ3A100A_C	4765437
16	112.03	21394	3.32	11217	10UBBQ3A112A_C	4763783	10UBBJ3A112A_C	4765443
15	120.36	23069	3.10	11209	10UBBQ3A125A_C	4763789	10UBBJ3A125A_C	4765449
13	134.85	25757	2.76	11206	10UBBQ3A140A_C	4763795	10UBBJ3A140A_C	4765455
12	144.88	27577	2.58	11210	10UBBQ3A160A_C	4763801	10UBBJ3A160A_C	4765461
10	166.84	31302	2.25	9689	10UBBQ5A160A_C	Refer to Factory ↓	10UBBJ5A160A_C	Refer to Factory ↓
7.6	231.10	43364	1.62	9689	10UBBQ5A200A_C		10UBBJ5A200A_C	
6.7	259.60	48714	1.44	9689	10UBBQ5A250A_C		10UBBJ5A250A_C	
6.1	285.44	53568	1.31	9689	10UBBQ5A280A_C		10UBBJ5A280A_C	
5.5	317.19	59375	1.18	9689	10UBBQ5A320A_C		10UBBJ5A320A_C	
4.7	372.83	69975	1.01	9689	10UBBQ5A360A_C		10UBBJ5A360A_C	
12	145.85	27783	4.34	16276	12UBBQ3A160A_C	4763973	12UBBJ3A160A_C	4765633
10	172.15	32406	3.64	13796	12UBBQ5A160A_C	Refer to Factory ↓	12UBBJ5A160A_C	Refer to Factory ↓
6.5	238.46	50536	2.33	13796	12UBBQ5A200A_C		12UBBJ5A200A_C	
7.3	268.79	44890	2.63	13796	12UBBQ5A250A_C		12UBBJ5A250A_C	
5.8	301.94	56769	2.07	13796	12UBBQ5A280A_C		12UBBJ5A280A_C	
5.3	331.99	62423	1.89	13796	12UBBQ5A320A_C		12UBBJ5A320A_C	
4.5	384.70	72413	1.63	13796	12UBBQ5A360A_C		12UBBJ5A360A_C	
4.0	437.38	82325	1.43	13796	12UBBQ5A400A_C		12UBBJ5A400A_C	
3.5	493.02	92691	1.27	13796	12UBBQ5A450A_C		12UBBJ5A450A_C	
3.3	531.11	99953	1.18	13796	12UBBQ5A500A_C		12UBBJ5A500A_C	
3.0	584.22	109934	1.07	13796	12UBBQ5A560A_C		12UBBJ5A560A_C	

Motors are available from Rexnord or Rexnord distributors.

5.0 HP/184TC Motor  
Falk Part No. 1940401

Conforms to the following specifications:

C-Face motor less base, TEFC, 1750 rpm, 208–230/460 Volts, 3 Phase, 60 Hz, NEMA B, 1.15 Service Factor.

Motors meeting other specifications are available upon request.

## UB — Gearmotor Selection Table

### 7.5 HP/1750 RPM/213TC Frame Motor

Approx Output RPM	Exact Ratio	Actual Output Torque (lb-in)	Service Factor	Overhung Load (lb)	Helical Bevel Gearmotor Less Motor Inch-Dimensioned		Helical Bevel with TA Taper Bushing Gearmotor Less Motor Inch-Dimensioned	
					Drive Designation	Part No.	Drive Designation	Part No.
216	8.11	2079	1.59	897	05UBBQ3A8.0A_D	4765771	05UBBJ3A8.0A_D	4765840
154	11.40	2916	1.29	904	05UBBQ3A11.1A_D	4765774	05UBBJ3A11.1A_D	4765843
137	12.78	3278	1.20	904	05UBBQ3A12.A_D	4765777	05UBBJ3A12.A_D	4765846
122	14.35	3681	1.11	903	05UBBQ3A14.A_D	4765780	05UBBJ3A14.A_D	4765849
96	18.22	4678	0.94	900	05UBBQ3A18.A_D	4765783	05UBBJ3A18.A_D	4765852
85	20.66	5283	0.86	827	05UBBQ3A20.A_D	4765786	05UBBJ3A20.A_D	4765855
71	24.64	6325	0.75	802	05UBBQ3A25.A_D	4765789	05UBBJ3A25.A_D	4765858
220	7.96	2041	2.29	1377	06UBBQ3A8.0A_D	4765909	06UBBJ3A8.0A_D	4765978
156	11.19	2879	1.88	1398	06UBBQ3A11.A_D	4765912	06UBBJ3A11.A_D	4765981
140	12.54	3208	1.75	1414	06UBBQ3A12.A_D	4765915	06UBBJ3A12.A_D	4765984
124	14.08	3621	1.62	1433	06UBBQ3A14.A_D	4765918	06UBBJ3A14.A_D	4765987
98	17.88	4582	1.38	1450	06UBBQ3A18.A_D	4765921	06UBBJ3A18.A_D	4765990
86	20.27	5222	1.26	1427	06UBBQ3A20.A_D	4765924	06UBBJ3A20.A_D	4765993
72	24.18	6237	1.11	1411	06UBBQ3A25.A_D	4765927	06UBBJ3A25.A_D	4765996
203	8.60	2224	2.83	1972	07UBBQ3A8.0A_D	4766047	07UBBJ3A8.0A_D	4766136
147	11.91	3091	2.83	2038	07UBBQ3A11.A_D	4766051	07UBBJ3A11.A_D	4766140
131	13.37	3487	2.83	2082	07UBBQ3A12.A_D	4766055	07UBBJ3A12.A_D	4766144
119	14.71	3825	2.80	2121	07UBBQ3A14.A_D	4766059	07UBBJ3A14.A_D	4766148
91	19.21	5040	2.33	2190	07UBBQ3A18.A_D	4766063	07UBBJ3A18.A_D	4766152
80	21.84	5721	2.12	2229	07UBBQ3A20.A_D	4766067	07UBBJ3A20.A_D	4766156
66	26.52	6940	1.84	2252	07UBBQ3A25.A_D	4766073	07UBBJ3A25.A_D	4766162
60	29.17	7585	1.72	2252	07UBBQ3A28.A_D	4766078	07UBBJ3A28.A_D	4766167
52	33.52	8760	1.55	2245	07UBBQ3A32.A_D	4766083	07UBBJ3A32.A_D	4766172
46	38.01	9878	1.44	2229	07UBBQ3A36.A_D	4766088	07UBBJ3A36.A_D	4766177
42	41.92	10888	1.31	2205	07UBBQ3A40.A_D	4766093	07UBBJ3A40.A_D	4766182
36	48.01	12485	1.19	2155	07UBBQ3A45.A_D	4766098	07UBBJ3A45.A_D	4766187
32	54.28	14135	1.05	2081	07UBBQ3A50.A_D	4766103	07UBBJ3A50.A_D	4766192
28	62.94	16384	0.91	1964	07UBBQ3A63.A_D	4766108	07UBBJ3A63.A_D	4766197
69	25.35	6618	3.16	2910	08UBBQ3A25.A_D	4766229	08UBBJ3A25.A_D	4766261
61	28.56	7430	2.88	2979	08UBBQ3A28.A_D	4762711	08UBBJ3A28.A_D	4765124
53	33.24	8618	2.56	3024	08UBBQ3A32.A_D	4762715	08UBBJ3A32.A_D	4765128
47	36.88	9557	2.39	3041	08UBBQ3A36.A_D	4766235	08UBBJ3A36.A_D	4766267
43	40.36	10524	2.24	3076	08UBBQ3A40.A_D	4766241	08UBBJ3A40.A_D	4766273
38	45.66	11878	2.01	3083	08UBBQ3A45.A_D	4762729	08UBBJ3A45.A_D	4765142
34	51.54	13397	1.79	3083	08UBBQ3A50.A_D	4762735	08UBBJ3A50.A_D	4765148
28	62.47	16224	1.48	3057	08UBBQ3A63.A_D	4766247	08UBBJ3A63.A_D	4766279
24	72.86	18897	1.27	2997	08UBBQ3A71.A_D	4762753	08UBBJ3A71.A_D	4765166
22	80.03	20755	1.15	2938	08UBBQ3A80.A_D	4762759	08UBBJ3A80.A_D	4765172
18	98.08	25437	0.94	2759	08UBBQ3A100A_D	4766253	08UBBJ3A100A_D	4766285

Motors are available from Rexnord or Rexnord distributors.

7.5 HP/213TC Motor  
Falk Part No. 1940402

Conforms to the following specifications:

C-Face motor less base, TEFC, 1750 rpm, 208–230/460 Volts, 3 Phase, 60 Hz, NEMA B, 1.15 Service Factor.

Motors meeting other specifications are available upon request.



## UB — Gearmotor Selection Table

### 7.5 HP/1750 RPM/213TC Frame Motor

Approx Output RPM	Exact Ratio	Actual Output Torque (lb-in)	Service Factor	Overhung Load (lb)	Helical Bevel Gearmotor Less Motor Inch-Dimensioned		Helical Bevel with TA Taper Bushing Gearmotor Less Motor Inch-Dimensioned	
					Drive Designation	Part No.	Drive Designation	Part No.
39	44.89	11655	2.87	7643	09UBBQ3A45.A_D	4762855	09UBBJ3A45.A_D	4765268
35	49.87	12941	2.59	7643	09UBBQ3A50.A_D	4762861	09UBBJ3A50.A_D	4765274
32	54.09	14026	2.67	7643	09UBBQ3A56.A_D	4762867	09UBBJ3A56.A_D	4765280
29	60.10	15596	2.40	7643	09UBBQ3A63.A_D	4762873	09UBBJ3A63.A_D	4765286
25	70.45	18218	1.84	7643	09UBBQ3A71.A_D	4762879	09UBBJ3A71.A_D	4765292
22	77.78	20220	1.65	7643	09UBBQ3A80.A_D	4762885	09UBBJ3A80.A_D	4765298
21	84.89	21952	1.71	7643	09UBBQ3A90.A_D	4762891	09UBBJ3A90.A_D	4765304
19	93.71	24245	1.55	7643	09UBBQ3A100A_D	4762897	09UBBJ3A100A_D	4765310
16	106.99	27717	1.21	7643	09UBBQ3A112A_D	4762903	09UBBJ3A112A_D	4765316
15	120.31	31118	1.08	7643	09UBBQ3A125A_D	4762909	09UBBJ3A125A_D	4765322
14	128.92	33279	1.12	7643	09UBBQ3A140A_D	4762915	09UBBJ3A140A_D	4765328
12	144.96	37320	1.00	7643	09UBBQ3A160A_D	4762921	09UBBJ3A160A_D	4765334
24	71.89	18744	3.44	11218	10UBBQ3A71.A_D	4763760	10UBBJ3A71.A_D	4765420
21	82.83	21551	2.99	11218	10UBBQ3A80.A_D	4763766	10UBBJ3A80.A_D	4765426
20	86.53	22493	2.87	11208	10UBBQ3A90.A_D	4763772	10UBBJ3A90.A_D	4765432
18	99.70	25892	2.49	11208	10UBBQ3A100A_D	4763778	10UBBJ3A100A_D	4765438
16	112.03	29024	2.21	11205	10UBBQ3A112A_D	4763784	10UBBJ3A112A_D	4765444
15	120.36	31295	2.07	11198	10UBBQ3A125A_D	4763790	10UBBJ3A125A_D	4765450
13	134.85	34942	1.84	11191	10UBBQ3A140A_D	4763796	10UBBJ3A140A_D	4765456
12	144.88	37412	1.72	11203	10UBBQ3A160A_D	4763802	10UBBJ3A160A_D	4765462
10	166.84	42465	1.50	9689	10UBBQ5A160A_D	Refer to Factory	10UBBJ5A160A_D	Refer to Factory
7.6	231.10	58827	1.08	9689	10UBBQ5A200A_D		10UBBJ5A200A_D	
6.7	259.60	66085	0.96	9689	10UBBQ5A250A_D		10UBBJ5A250A_D	
15	113.79	29444	3.64	16276	12UBBQ3A112A_D	4763956	12UBBJ3A112A_D	4765616
14	121.06	31448	3.41	16276	12UBBQ3A125A_D	4763962	12UBBJ3A125A_D	4765622
13	137.09	35499	3.08	16276	12UBBQ3A140A_D	4763968	12UBBJ3A140A_D	4765628
12	145.85	37691	2.89	16266	12UBBQ3A160A_D	4763974	12UBBJ3A160A_D	4765634
10	172.15	43962	2.42	13796	12UBBQ5A160A_D	Refer to Factory ↓	12UBBJ5A160A_D	Refer to Factory ↓
6.5	238.46	68557	1.55	13796	12UBBQ5A200A_D		12UBBJ5A200A_D	
7.3	268.79	60899	1.75	13796	12UBBQ5A250A_D		12UBBJ5A250A_D	
5.8	301.94	77013	1.38	13796	12UBBQ5A280A_D		12UBBJ5A280A_D	
5.3	331.99	84683	1.26	13796	12UBBQ5A320A_D		12UBBJ5A320A_D	
4.5	384.70	98237	1.09	13796	12UBBQ5A360A_D		12UBBJ5A360A_D	
4.0	437.38	111682	0.95	13796	12UBBQ5A400A_D		12UBBJ5A400A_D	

Motors are available from Rexnord or Rexnord distributors.

7.5 HP/213TC Motor  
Falk Part No. 1940402

Conforms to the following specifications:

C-Face motor less base, TEFC, 1750 rpm, 208–230/460 Volts, 3 Phase, 60 Hz, NEMA B, 1.15 Service Factor.

Motors meeting other specifications are available upon request.



# UB — Gearmotor Selection Table

## 10 HP/1750 RPM/215TC Frame Motor

Approx Output RPM	Exact Ratio	Actual Output Torque (lb-in)	Service Factor	Overhung Load (lb)	Helical Bevel Gearmotor Less Motor Inch-Dimensioned		Helical Bevel with TA Taper Bushing Gearmotor Less Motor Inch-Dimensioned	
					Drive Designation	Part No.	Drive Designation	Part No.
220	7.96	2722	1.72	1341	06UBBQ3A8.0A_D	4765909	06UBBJ3A8.0A_D	4765978
156	11.19	3838	1.41	1359	06UBBQ3A11.A_D	4765912	06UBBJ3A11.A_D	4765981
140	12.54	4277	1.31	1378	06UBBQ3A12.A_D	4765915	06UBBJ3A12.A_D	4765984
124	14.08	4829	1.21	1391	06UBBQ3A14.A_D	4765918	06UBBJ3A14.A_D	4765987
98	17.88	6110	1.03	1401	06UBBQ3A18.A_D	4765921	06UBBJ3A18.A_D	4765990
86	20.27	6962	0.95	1383	06UBBQ3A20.A_D	4765924	06UBBJ3A20.A_D	4765993
72	24.18	8316	0.83	1370	06UBBQ3A25.A_D	4765927	06UBBJ3A25.A_D	4765996
203	8.60	2988	2.12	1865	07UBBQ3A8.0A_D	4766047	07UBBJ3A8.0A_D	4766136
147	11.91	4153	2.12	1889	07UBBQ3A11.A_D	4766051	07UBBJ3A11.A_D	4766140
131	13.37	4684	2.12	1913	07UBBQ3A12.A_D	4766055	07UBBJ3A12.A_D	4766144
119	14.71	5139	2.10	1934	07UBBQ3A14.A_D	4766059	07UBBJ3A14.A_D	4766148
91	19.21	6771	1.75	1950	07UBBQ3A18.A_D	4766063	07UBBJ3A18.A_D	4766152
80	21.84	7685	1.59	1952	07UBBQ3A20.A_D	4766067	07UBBJ3A20.A_D	4766156
66	26.52	9323	1.38	1918	07UBBQ3A25.A_D	4766073	07UBBJ3A25.A_D	4766162
60	29.17	10190	1.29	1887	07UBBQ3A28.A_D	4766078	07UBBJ3A28.A_D	4766167
52	33.52	11768	1.16	1827	07UBBQ3A32.A_D	4766083	07UBBJ3A32.A_D	4766172
46	38.01	13270	1.08	1756	07UBBQ3A36.A_D	4766088	07UBBJ3A36.A_D	4766177
42	41.92	14627	0.98	1681	07UBBQ3A40.A_D	4766093	07UBBJ3A40.A_D	4766182
137	12.80	4461	3.29	2428	08UBBQ3A12.A_D	4762683	08UBBJ3A12.A_D	4765096
123	14.24	4989	3.29	2473	08UBBQ3A14.A_D	4766225	08UBBJ3A14.A_D	4766257
95	18.41	6436	3.08	2563	08UBBQ3A18.A_D	4762695	08UBBJ3A18.A_D	4765108
85	20.67	7242	2.80	2608	08UBBQ3A20.A_D	4762699	08UBBJ3A20.A_D	4765112
69	25.35	8891	2.37	2646	08UBBQ3A25.A_D	4766229	08UBBJ3A25.A_D	4766261
61	28.56	9982	2.16	2677	08UBBQ3A28.A_D	4762711	08UBBJ3A28.A_D	4765124
53	33.24	11577	1.92	2674	08UBBQ3A32.A_D	4762715	08UBBJ3A32.A_D	4765128
47	36.88	12839	1.79	2657	08UBBQ3A36.A_D	4766235	08UBBJ3A36.A_D	4766267
43	40.36	14137	1.68	2651	08UBBQ3A40.A_D	4766241	08UBBJ3A40.A_D	4766273
38	45.66	15956	1.51	2605	08UBBQ3A45.A_D	4762729	08UBBJ3A45.A_D	4765142
34	51.54	17997	1.34	2541	08UBBQ3A50.A_D	4762735	08UBBJ3A50.A_D	4765148
28	62.47	21794	1.11	2406	08UBBQ3A63.A_D	4766247	08UBBJ3A63.A_D	4766279
24	72.86	25386	0.95	2235	08UBBQ3A71.A_D	4762753	08UBBJ3A71.A_D	4765166
39	44.89	15656	2.15	7643	09UBBQ3A45.A_D	4762855	09UBBJ3A45.A_D	4765268
35	49.87	17384	1.94	7643	09UBBQ3A50.A_D	4762861	09UBBJ3A50.A_D	4765274
32	54.09	18842	2.00	7643	09UBBQ3A56.A_D	4762867	09UBBJ3A56.A_D	4765280
29	60.10	20951	1.80	7643	09UBBQ3A63.A_D	4762873	09UBBJ3A63.A_D	4765286
25	70.45	24473	1.38	7643	09UBBQ3A71.A_D	4762879	09UBBJ3A71.A_D	4765292
22	77.78	27163	1.24	7643	09UBBQ3A80.A_D	4762885	09UBBJ3A80.A_D	4765298
21	84.89	29490	1.28	7643	09UBBQ3A90.A_D	4762891	09UBBJ3A90.A_D	4765304
19	93.71	32569	1.16	7643	09UBBQ3A100A_D	4762897	09UBBJ3A100A_D	4765310
16	106.99	37233	0.91	7643	09UBBQ3A112A_D	4762903	09UBBJ3A112A_D	4765316
35	50.41	17645	3.68	11217	10UBBQ3A50.A_D	4763742	10UBBJ3A50.A_D	4765402
32	54.61	19034	3.40	11217	10UBBQ3A56.A_D	4763748	10UBBJ3A56.A_D	4765408
29	60.68	21204	3.06	11210	10UBBQ3A63.A_D	4763754	10UBBJ3A63.A_D	4765414
24	71.89	25180	2.58	11208	10UBBQ3A71.A_D	4763760	10UBBJ3A71.A_D	4765420
21	82.83	28950	2.24	11205	10UBBQ3A80.A_D	4763766	10UBBJ3A80.A_D	4765426
20	86.53	30217	2.15	11197	10UBBQ3A90.A_D	4763772	10UBBJ3A90.A_D	4765432
18	99.70	34782	1.87	11197	10UBBQ3A100A_D	4763778	10UBBJ3A100A_D	4765438
16	112.03	38989	1.66	11190	10UBBQ3A112A_D	4763784	10UBBJ3A112A_D	4765444
15	120.36	42041	1.55	11184	10UBBQ3A125A_D	4763790	10UBBJ3A125A_D	4765450
13	134.85	46939	1.38	11172	10UBBQ3A140A_D	4763796	10UBBJ3A140A_D	4765456
12	144.88	50257	1.29	11195	10UBBQ3A160A_D	4763802	10UBBJ3A160A_D	4765462
10	166.84	57045	1.12	9689	10UBBQ5A160A_D	Refer to Factory	10UBBJ5A160A_D	Refer to Factory
7.6	231.10	79025	0.81	9689	10UBBQ5A200A_D	Refer to Factory	10UBBJ5A200A_D	Refer to Factory
21	83.10	28921	3.75	16276	12UBBQ3A80.A_D	4763932	12UBBJ3A80.A_D	4765592
19	89.89	31187	3.53	16276	12UBBQ3A90.A_D	4763940	12UBBJ3A90.A_D	4765600
17	100.12	34755	3.17	16276	12UBBQ3A100A_D	4763948	12UBBJ3A100A_D	4765608
15	113.79	39553	2.73	16264	12UBBQ3A112A_D	4763956	12UBBJ3A112A_D	4765616
14	121.06	42246	2.56	16262	12UBBQ3A125A_D	4763962	12UBBJ3A125A_D	4765622
13	137.09	47688	2.31	16263	12UBBQ3A140A_D	4763968	12UBBJ3A140A_D	4765628
12	145.85	50631	2.17	16255	12UBBQ3A160A_D	4763974	12UBBJ3A160A_D	4765634
10	172.15	59056	1.82	13796	12UBBQ5A160A_D	Refer to Factory	12UBBJ5A160A_D	Refer to Factory
6.5	238.46	92096	1.16	13796	12UBBQ5A200A_D	Refer to Factory	12UBBJ5A200A_D	Refer to Factory
7.3	268.79	81808	1.31	13796	12UBBQ5A250A_D	Refer to Factory	12UBBJ5A250A_D	Refer to Factory
5.8	301.94	103455	1.04	13796	12UBBQ5A280A_D	Refer to Factory	12UBBJ5A280A_D	Refer to Factory
5.3	331.99	113758	0.94	13796	12UBBQ5A320A_D	Refer to Factory	12UBBJ5A320A_D	Refer to Factory

Motors are available from Rexnord or Rexnord distributors.

10 HP/215TC Motor  
Falk Part No. 1940403

Conforms to the following specifications:

C-Face motor less base, TEFC, 1750 rpm, 208–230/460 Volts, 3 Phase, 60 Hz, NEMA B, 1.15 Service Factor.

Motors meeting other specifications are available upon request.

# UB — Gearmotor Selection Table

## 15 HP/1750 RPM/254TC Frame Motor

Approx Output RPM	Exact Ratio	Actual Output Torque (lb-in)	Service Factor	Overhung Load (lb)	Helical Bevel Gearmotor Less Motor Inch-Dimensioned		Helical Bevel with TA Taper Bushing Gearmotor Less Motor Inch-Dimensioned	
					Drive Designation	Part No.	Drive Designation	Part No.
203	8.60	4424	1.42	1758	07UBBQ3A8.OA_E	4766048	07UBBJ3A8.OA_E	4766137
147	11.91	6110	1.42	1780	07UBBQ3A11.A_E	4766052	07UBBJ3A11.A_E	4766141
131	13.37	6856	1.42	1802	07UBBQ3A12.A_E	4766056	07UBBJ3A12.A_E	4766145
119	14.71	7547	1.40	1825	07UBBQ3A14.A_E	4766060	07UBBJ3A14.A_E	4766149
91	19.21	9869	1.17	1848	07UBBQ3A18.A_E	4766064	07UBBJ3A18.A_E	4766153
80	21.84	11226	1.06	1848	07UBBQ3A20.A_E	4766068	07UBBJ3A20.A_E	4766157
215	8.13	4206	2.19	2143	08UBBQ3A8.OA_E	4762672	08UBBJ3A8.OA_E	4765085
152	11.52	5958	2.19	2139	08UBBQ3A11.A_E	4762680	08UBBJ3A11.A_E	4765093
137	12.80	6607	2.19	2158	08UBBQ3A12.A_E	4762684	08UBBJ3A12.A_E	4765097
123	14.24	7390	2.19	2173	08UBBQ3A14.A_E	4762626	08UBBJ3A14.A_E	4766258
95	18.41	9533	2.05	2179	08UBBQ3A18.A_E	4762696	08UBBJ3A18.A_E	4765109
85	20.67	10728	1.87	2172	08UBBQ3A20.A_E	4762700	08UBBJ3A20.A_E	4765113
69	25.35	13169	1.58	2117	08UBBQ3A25.A_E	4762630	08UBBJ3A25.A_E	4766262
61	28.56	14785	1.44	2073	08UBBQ3A28.A_E	4762712	08UBBJ3A28.A_E	4765125
53	33.24	17148	1.28	1975	08UBBQ3A32.A_E	4762716	08UBBJ3A32.A_E	4765129
47	36.88	19017	1.19	1887	08UBBQ3A36.A_E	4762636	08UBBJ3A36.A_E	4766268
43	40.36	20940	1.12	1802	08UBBQ3A40.A_E	4766242	08UBBJ3A40.A_E	4766274
38	45.66	23635	1.01	1647	08UBBQ3A45.A_E	4762730	08UBBJ3A45.A_E	4765143
98	17.93	9275	3.23	7689	09UBBQ3A18.A_E	4762822	09UBBJ3A18.A_E	4765235
87	20.03	10354	2.96	7685	09UBBQ3A20.A_E	4762826	09UBBJ3A20.A_E	4765239
81	21.61	11160	3.17	7683	09UBBQ3A22.A_E	4762830	09UBBJ3A22.A_E	4765243
72	24.14	12468	2.89	7687	09UBBQ3A25.A_E	4762834	09UBBJ3A25.A_E	4765247
63	27.78	14391	2.29	7678	09UBBQ3A28.A_E	4762838	09UBBJ3A28.A_E	4765251
55	31.67	16404	2.03	7643	09UBBQ3A32.A_E	4762842	09UBBJ3A32.A_E	4765255
52	33.47	17254	2.15	7643	09UBBQ3A36.A_E	4762846	09UBBJ3A36.A_E	4765259
46	38.16	19708	1.89	7643	09UBBQ3A40.A_E	4762850	09UBBJ3A40.A_E	4765263
39	44.89	23190	1.43	7643	09UBBQ3A45.A_E	4762856	09UBBJ3A45.A_E	4765269
35	49.87	25749	1.29	7643	09UBBQ3A50.A_E	4762862	09UBBJ3A50.A_E	4765275
32	54.09	27908	1.33	7643	09UBBQ3A56.A_E	4762868	09UBBJ3A56.A_E	4765281
29	60.10	31032	1.20	7643	09UBBQ3A63.A_E	4762874	09UBBJ3A63.A_E	4765287
25	70.45	36249	0.92	7643	09UBBQ3A71.A_E	4762880	09UBBJ3A71.A_E	4765293
53	33.10	17172	3.73	11251	10UBBQ3A32.A_E	4763723	10UBBJ3A32.A_E	4765383
50	35.19	18221	3.51	11249	10UBBQ3A36.A_E	4763727	10UBBJ3A36.A_E	4765387
44	39.84	20637	3.11	11232	10UBBQ3A40.A_E	4763731	10UBBJ3A40.A_E	4765391
39	45.37	23556	2.72	11128	10UBBQ3A45.A_E	4763737	10UBBJ3A45.A_E	4765397
35	50.41	26135	2.45	11206	10UBBQ3A50.A_E	4763743	10UBBJ3A50.A_E	4765403
32	54.61	28193	2.27	11202	10UBBQ3A56.A_E	4763749	10UBBJ3A56.A_E	4765409
29	60.68	31408	2.04	11195	10UBBQ3A63.A_E	4763755	10UBBJ3A63.A_E	4765415
24	71.89	37297	1.72	11188	10UBBQ3A71.A_E	4763761	10UBBJ3A71.A_E	4765421
21	82.83	42881	1.49	11179	10UBBQ3A80.A_E	4763767	10UBBJ3A80.A_E	4765427
20	86.53	44757	1.43	11174	10UBBQ3A90.A_E	4763773	10UBBJ3A90.A_E	4765433
18	99.70	51518	1.25	11173	10UBBQ3A100.A_E	4763779	10UBBJ3A100.A_E	4765439
16	112.03	57751	1.11	11159	10UBBQ3A112.A_E	4763785	10UBBJ3A112.A_E	4765445
15	120.36	62270	1.03	11156	10UBBQ3A125.A_E	4763791	10UBBJ3A125.A_E	4765451
13	134.85	69525	0.92	11135	10UBBQ3A140.A_E	4763797	10UBBJ3A140.A_E	4765457
31	56.39	29134	3.73	16278	12UBBQ3A56.A_E	4763909	12UBBJ3A56.A_E	4765569
28	63.57	32835	3.31	16278	12UBBQ3A63.A_E	4763917	12UBBJ3A63.A_E	4765577
23	74.62	38429	2.78	16279	12UBBQ3A71.A_E	4763925	12UBBJ3A71.A_E	4765585
21	83.10	42837	2.50	16261	12UBBQ3A80.A_E	4763933	12UBBJ3A80.A_E	4765593
19	89.89	46194	2.35	16257	12UBBQ3A90.A_E	4763941	12UBBJ3A90.A_E	4765601
17	100.12	51479	2.11	16253	12UBBQ3A100.A_E	4763949	12UBBJ3A100.A_E	4765609
15	113.79	58586	1.82	16240	12UBBQ3A112.A_E	4763957	12UBBJ3A112.A_E	4765617
14	121.06	62574	1.71	16235	12UBBQ3A125.A_E	4763963	12UBBJ3A125.A_E	4765623
13	137.09	70635	1.54	16237	12UBBQ3A140.A_E	4763969	12UBBJ3A140.A_E	4765629
12	145.85	74995	1.45	16231	12UBBQ3A160.A_E	4763975	12UBBJ3A160.A_E	4765635

Motors are available from Rexnord or Rexnord distributors.

15 HP/254TC Motor  
Falk Part No. 1940404

Conforms to the following specifications:

C-Face motor less base, TEFC, 1750 rpm, 208–230/460 Volts, 3 Phase, 60 Hz, NEMA B, 1.15 Service Factor.

Motors meeting other specifications are available upon request.

# UB — Gearmotor Selection Table

## 20 HP/1750 RPM/256TC Frame Motor

Approx Output RPM	Exact Ratio	Actual Output Torque (lb-in)	Service Factor	Overhung Load (lb)	Helical Bevel Gearmotor Less Motor Inch-Dimensioned		Helical Bevel with TA Taper Bushing Gearmotor Less Motor Inch-Dimensioned	
					Drive Designation	Part No.	Drive Designation	Part No.
203	8.60	5899	1.07	1691	07UBBQ3A8.0A_E	4766048	07UBBJ3A8.0A_E	4766137
147	11.91	8146	1.07	1704	07UBBQ3A11.A_E	4766052	07UBBJ3A11.A_E	4766141
131	13.37	9141	1.07	1717	07UBBQ3A12.A_E	4766056	07UBBJ3A12.A_E	4766145
119	14.71	10063	1.05	1731	07UBBQ3A14.A_E	4766060	07UBBJ3A14.A_E	4766149
91	19.21	13159	0.88	1749	07UBBQ3A18.A_E	4766064	07UBBJ3A18.A_E	4766153
80	21.84	14968	0.80	1749	07UBBQ3A20.A_E	4766068	07UBBJ3A20.A_E	4766157
215	8.13	5589	1.65	1971	08UBBQ3A8.0A_E	4762672	08UBBJ3A8.0A_E	4765085
152	11.52	7918	1.65	1894	08UBBQ3A11.A_E	4762680	08UBBJ3A11.A_E	4765093
137	12.80	8780	1.65	1888	08UBBQ3A12.A_E	4762684	08UBBJ3A12.A_E	4765097
123	14.24	9819	1.65	1874	08UBBQ3A14.A_E	4762626	08UBBJ3A14.A_E	4766258
95	18.41	12668	1.54	1795	08UBBQ3A18.A_E	4762696	08UBBJ3A18.A_E	4765109
85	20.67	14255	1.40	1737	08UBBQ3A20.A_E	4762700	08UBBJ3A20.A_E	4765113
69	25.35	17500	1.19	1588	08UBBQ3A25.A_E	4762630	08UBBJ3A25.A_E	4766262
61	28.56	19646	1.08	1469	08UBBQ3A28.A_E	4762712	08UBBJ3A28.A_E	4765125
53	33.24	22786	0.96	1276	08UBBQ3A32.A_E	4762716	08UBBJ3A32.A_E	4765129
218	8.03	5508	3.88	7171	09UBBQ3A8.0A_E	4762798	09UBBJ3A8.0A_E	4765211
181	9.68	6619	3.88	7351	09UBBQ3A10.A_E	4762802	09UBBJ3A10.A_E	4765215
158	11.06	7611	3.28	7440	09UBBQ3A11.A_E	4762806	09UBBJ3A11.A_E	4765219
141	12.40	8539	3.08	7553	09UBBQ3A12.A_E	4762810	09UBBJ3A12.A_E	4765223
131	13.33	9144	3.28	7643	09UBBQ3A14.A_E	4762814	09UBBJ3A14.A_E	4765227
117	14.94	10259	3.08	7479	09UBBQ3A16.A_E	4762818	09UBBJ3A16.A_E	4765231
98	17.93	12325	2.42	7459	09UBBQ3A18.A_E	4762822	09UBBJ3A18.A_E	4765235
87	20.03	13759	2.22	7474	09UBBQ3A20.A_E	4762826	09UBBJ3A20.A_E	4765239
81	21.61	14830	2.38	7482	09UBBQ3A22.A_E	4762830	09UBBJ3A22.A_E	4765243
72	24.14	16568	2.17	7468	09UBBQ3A25.A_E	4762834	09UBBJ3A25.A_E	4765247
63	27.78	19123	1.72	7504	09UBBQ3A28.A_E	4762838	09UBBJ3A28.A_E	4765251
55	31.67	21797	1.53	7643	09UBBQ3A32.A_E	4762842	09UBBJ3A32.A_E	4765255
52	33.47	22927	1.62	7643	09UBBQ3A36.A_E	4762846	09UBBJ3A36.A_E	4765259
46	38.16	26187	1.42	7643	09UBBQ3A40.A_E	4762850	09UBBJ3A40.A_E	4765263
39	44.89	30815	1.08	7643	09UBBQ3A45.A_E	4762856	09UBBJ3A45.A_E	4765269
35	49.87	34215	0.97	7643	09UBBQ3A50.A_E	4762862	09UBBJ3A50.A_E	4765275
32	54.09	37084	1.00	7643	09UBBQ3A56.A_E	4762868	09UBBJ3A56.A_E	4765281
29	60.10	41236	0.90	7643	09UBBQ3A63.A_E	4762874	09UBBJ3A63.A_E	4765287
73	24.13	16606	3.85	11217	10UBBQ3A25.A_E	4763715	10UBBJ3A25.A_E	4765375
60	29.24	20160	3.17	11217	10UBBQ3A28.A_E	4763719	10UBBJ3A28.A_E	4765379
53	33.10	22819	2.80	11083	10UBBQ3A32.A_E	4763723	10UBBJ3A32.A_E	4765383
50	35.19	24212	2.64	11093	10UBBQ3A36.A_E	4763727	10UBBJ3A36.A_E	4765387
44	39.84	27422	2.33	11159	10UBBQ3A40.A_E	4763731	10UBBJ3A40.A_E	4765391
39	45.37	31301	2.04	11038	10UBBQ3A45.A_E	4763737	10UBBJ3A45.A_E	4765397
35	50.41	34728	1.84	11195	10UBBQ3A50.A_E	4763743	10UBBJ3A50.A_E	4765403
32	54.61	37463	1.70	11187	10UBBQ3A56.A_E	4763749	10UBBJ3A56.A_E	4765409
29	60.68	41735	1.53	11180	10UBBQ3A63.A_E	4763755	10UBBJ3A63.A_E	4765415
24	71.89	49560	1.29	11168	10UBBQ3A71.A_E	4763761	10UBBJ3A71.A_E	4765421
21	82.83	56979	1.12	11153	10UBBQ3A80.A_E	4763767	10UBBJ3A80.A_E	4765427
20	86.53	59472	1.08	11151	10UBBQ3A90.A_E	4763773	10UBBJ3A90.A_E	4765433
18	99.70	68457	0.94	11150	10UBBQ3A100A_E	4763779	10UBBJ3A100A_E	4765439
44	39.55	27223	3.98	16276	12UBBQ3A40.A_E	4763885	12UBBJ3A40.A_E	4765545
37	46.81	32213	3.31	16276	12UBBQ3A45.A_E	4763893	12UBBJ3A45.A_E	4765553
33	52.76	36341	2.93	16276	12UBBQ3A50.A_E	4763901	12UBBJ3A50.A_E	4765561
31	56.39	38714	2.80	16267	12UBBQ3A56.A_E	4763909	12UBBJ3A56.A_E	4765569
28	63.57	43631	2.48	16265	12UBBQ3A63.A_E	4763917	12UBBJ3A63.A_E	4765577
23	74.62	51065	2.09	16261	12UBBQ3A71.A_E	4763925	12UBBJ3A71.A_E	4765585
21	83.10	56922	1.88	16246	12UBBQ3A80.A_E	4763933	12UBBJ3A80.A_E	4765593
19	89.89	61383	1.77	16238	12UBBQ3A90.A_E	4763941	12UBBJ3A90.A_E	4765601
17	100.12	68405	1.59	16231	12UBBQ3A100A_E	4763949	12UBBJ3A100A_E	4765609
15	113.79	77849	1.37	16215	12UBBQ3A112A_E	4763957	12UBBJ3A112A_E	4765617
14	121.06	83147	1.28	16207	12UBBQ3A125A_E	4763963	12UBBJ3A125A_E	4765623
13	137.09	93859	1.16	16212	12UBBQ3A140A_E	4763969	12UBBJ3A140A_E	4765629
12	145.85	99652	1.09	16208	12UBBQ3A160A_E	4763975	12UBBJ3A160A_E	4765635

Motors are available from Rexnord or Rexnord distributors.

20 HP/256TC Motor  
Falk Part No. 1940405

Conforms to the following specifications:

C-Face motor less base, TEFC, 1750 rpm, 208–230/460 Volts, 3 Phase, 60 Hz, NEMA B, 1.15 Service Factor.

Motors meeting other specifications are available upon request.

## UB — Gearmotor Selection Table

### 25 HP/1750 RPM/284TC Frame Motor

Approx Output RPM	Exact Ratio	Actual Output Torque (lb-in)	Service Factor	Overhung Load (lb)	Helical Bevel Gearmotor Less Motor Inch-Dimensioned		Helical Bevel with TA Taper Bushing Gearmotor Less Motor Inch-Dimensioned	
					Drive Designation	Part No.	Drive Designation	Part No.
218	8.03	6869	3.10	7030	09UBBQ3A8.0A_F	4762799	09UBBJ3A8.0A_F	4765212
181	9.68	8255	3.10	7185	09UBBQ3A10.A_F	4762803	09UBBJ3A10.A_F	4765216
158	11.06	9492	2.62	7244	09UBBQ3A11.A_F	4762807	09UBBJ3A11.A_F	4765220
141	12.40	10650	2.46	7334	09UBBQ3A12.A_F	4762811	09UBBJ3A12.A_F	4765224
131	13.33	11404	2.62	7424	09UBBQ3A14.A_F	4762815	09UBBJ3A14.A_F	4765228
117	14.94	12795	2.46	7275	09UBBQ3A16.A_F	4762819	09UBBJ3A16.A_F	4765232
98	17.93	15371	1.94	7229	09UBBQ3A18.A_F	4762823	09UBBJ3A18.A_F	4765236
87	20.03	17160	1.78	7262	09UBBQ3A20.A_F	4762827	09UBBJ3A20.A_F	4765240
81	21.61	18496	1.90	7280	09UBBQ3A22.A_F	4762831	09UBBJ3A22.A_F	4765244
72	24.14	20663	1.74	7250	09UBBQ3A25.A_F	4762835	09UBBJ3A25.A_F	4765248
63	27.78	23850	1.37	7331	09UBBQ3A28.A_F	4762839	09UBBJ3A28.A_F	4765252
55	31.67	27185	1.22	7643	09UBBQ3A32.A_F	4762843	09UBBJ3A32.A_F	4765256
52	33.47	28594	1.29	7643	09UBBQ3A36.A_F	4762847	09UBBJ3A36.A_F	4765260
46	38.16	32660	1.13	7643	09UBBQ3A40.A_F	4762851	09UBBJ3A40.A_F	4765264
39	44.89	38431	0.86	7643	09UBBQ3A45.A_F	4762857	09UBBJ3A45.A_F	4765270
87	20.05	17233	3.56	11217	10UBBQ3A20.A_F	4763708	10UBBJ3A20.A_F	4765368
78	22.35	19172	3.32	11217	10UBBQ3A22.A_F	4763712	10UBBJ3A22.A_F	4765372
73	24.13	20711	3.08	11052	10UBBQ3A25.A_F	4763716	10UBBJ3A25.A_F	4765376
60	29.24	25143	2.53	11040	10UBBQ3A28.A_F	4763720	10UBBJ3A28.A_F	4765380
53	33.10	28459	2.24	10914	10UBBQ3A32.A_F	4763724	10UBBJ3A32.A_F	4765384
50	35.19	30197	2.11	10937	10UBBQ3A36.A_F	4763728	10UBBJ3A36.A_F	4765388
44	39.84	34200	1.86	11087	10UBBQ3A40.A_F	4763732	10UBBJ3A40.A_F	4765392
39	45.37	39038	1.63	10948	10UBBQ3A45.A_F	4763738	10UBBJ3A45.A_F	4765398
35	50.41	43312	1.47	11184	10UBBQ3A50.A_F	4763744	10UBBJ3A50.A_F	4765404
32	54.61	46722	1.36	11172	10UBBQ3A56.A_F	4763750	10UBBJ3A56.A_F	4765410
29	60.68	52050	1.22	11165	10UBBQ3A63.A_F	4763756	10UBBJ3A63.A_F	4765416
24	71.89	61810	1.03	11148	10UBBQ3A71.A_F	4763762	10UBBJ3A71.A_F	4765422
21	82.83	71063	0.90	11128	10UBBQ3A80.A_F	4763768	10UBBJ3A80.A_F	4765428
53	32.83	28295	3.76	16276	12UBBQ3A32.A_F	4763874	12UBBJ3A32.A_F	4765534
50	34.93	29961	3.60	16276	12UBBQ3A36.A_F	4763880	12UBBJ3A36.A_F	4765540
44	39.55	33952	3.18	16270	12UBBQ3A40.A_F	4763886	12UBBJ3A40.A_F	4765546
37	46.81	40175	2.64	16231	12UBBQ3A45.A_F	4763894	12UBBJ3A45.A_F	4765554
33	52.76	45323	2.34	16267	12UBBQ3A50.A_F	4763902	12UBBJ3A50.A_F	4765562
31	56.39	48282	2.24	16257	12UBBQ3A56.A_F	4763910	12UBBJ3A56.A_F	4765570
28	63.57	54416	1.98	16253	12UBBQ3A63.A_F	4763918	12UBBJ3A63.A_F	4765578
23	74.62	63686	1.67	16243	12UBBQ3A71.A_F	4763926	12UBBJ3A71.A_F	4765586
21	83.10	70991	1.50	16231	12UBBQ3A80.A_F	4763934	12UBBJ3A80.A_F	4765594
19	89.89	76554	1.41	16219	12UBBQ3A90.A_F	4763942	12UBBJ3A90.A_F	4765602
17	100.12	85313	1.27	16208	12UBBQ3A100A_F	4763950	12UBBJ3A100A_F	4765610
15	113.79	97090	1.09	16191	12UBBQ3A112A_F	4763958	12UBBJ3A112A_F	4765618
14	121.06	103699	1.02	16179	12UBBQ3A125A_F	4763964	12UBBJ3A125A_F	4765624
13	137.09	117057	0.92	16186	12UBBQ3A140A_F	4763970	12UBBJ3A140A_F	4765630

Motors are available from Rexnord or Rexnord distributors.

25 HP/284TC Motor  
Falk Part No. 1940406

Conforms to the following specifications:

C-Face motor less base, TEFC, 1750 rpm, 208–230/460 Volts, 3 Phase, 60 Hz, NEMA B, 1.15 Service Factor.

Motors meeting other specifications are available upon request.

## UB — Gearmotor Selection Table

### 30 HP/1750 RPM/286TC Frame Motor

Approx Output RPM	Exact Ratio	Actual Output Torque (lb-in)	Service Factor	Overhung Load (lb)	Helical Bevel Gearmotor Less Motor Inch-Dimensioned		Helical Bevel with TA Taper Bushing Gearmotor Less Motor Inch-Dimensioned	
					Drive Designation	Part No.	Drive Designation	Part No.
218	8.03	8243	2.59	6890	09UBBQ3A8.0A_F	4762799	09UBBJ3A8.0A_F	4765212
181	9.68	9906	2.59	7019	09UBBQ3A10.A_F	4762803	09UBBJ3A10.A_F	4765216
158	11.06	11391	2.18	7047	09UBBQ3A11.A_F	4762807	09UBBJ3A11.A_F	4765220
141	12.40	12780	2.05	7114	09UBBQ3A12.A_F	4762811	09UBBJ3A12.A_F	4765224
131	13.33	13685	2.18	7204	09UBBQ3A14.A_F	4762815	09UBBJ3A14.A_F	4765228
117	14.94	15354	2.05	7071	09UBBQ3A16.A_F	4762819	09UBBJ3A16.A_F	4765232
98	17.93	18445	1.61	6999	09UBBQ3A18.A_F	4762823	09UBBJ3A18.A_F	4765236
87	20.03	20592	1.48	7050	09UBBQ3A20.A_F	4762827	09UBBJ3A20.A_F	4765240
81	21.61	22195	1.58	7078	09UBBQ3A22.A_F	4762831	09UBBJ3A22.A_F	4765244
72	24.14	24796	1.45	7032	09UBBQ3A25.A_F	4762835	09UBBJ3A25.A_F	4765248
63	27.78	28620	1.14	7158	09UBBQ3A28.A_F	4762839	09UBBJ3A28.A_F	4765252
55	31.67	32622	1.02	7643	09UBBQ3A32.A_F	4762843	09UBBJ3A32.A_F	4765256
52	33.47	34313	1.08	7643	09UBBQ3A36.A_F	4762847	09UBBJ3A36.A_F	4765260
46	38.16	39192	0.94	7643	09UBBQ3A40.A_F	4762851	09UBBJ3A40.A_F	4765264
116	15.11	15576	3.97	10633	10UBBQ3A16.A_F	4763700	10UBBJ3A16.A_F	4765360
94	18.57	19167	3.14	11060	10UBBQ3A18.A_F	4763704	10UBBJ3A18.A_F	4765364
87	20.05	20679	2.96	10999	10UBBQ3A20.A_F	4763708	10UBBJ3A20.A_F	4765368
78	22.35	23006	2.77	11021	10UBBQ3A22.A_F	4763712	10UBBJ3A22.A_F	4765372
73	24.13	24853	2.56	10886	10UBBQ3A25.A_F	4763716	10UBBJ3A25.A_F	4765376
60	29.24	30171	2.11	10863	10UBBQ3A28.A_F	4763720	10UBBJ3A28.A_F	4765380
53	33.10	34151	1.86	10745	10UBBQ3A32.A_F	4763724	10UBBJ3A32.A_F	4765384
50	35.19	36236	1.76	10781	10UBBQ3A36.A_F	4763728	10UBBJ3A36.A_F	4765388
44	39.84	41040	1.55	11014	10UBBQ3A40.A_F	4763732	10UBBJ3A40.A_F	4765392
39	45.37	46845	1.36	10858	10UBBQ3A45.A_F	4763738	10UBBJ3A45.A_F	4765398
35	50.41	51974	1.23	11172	10UBBQ3A50.A_F	4763744	10UBBJ3A50.A_F	4765404
32	54.61	56067	1.13	11158	10UBBQ3A56.A_F	4763750	10UBBJ3A56.A_F	4765410
29	60.68	62460	1.02	11150	10UBBQ3A63.A_F	4763756	10UBBJ3A63.A_F	4765416
24	71.89	74172	0.86	11128	10UBBQ3A71.A_F	4763762	10UBBJ3A71.A_F	4765422
60	28.99	29934	3.53	16276	12UBBQ3A28.A_F	4763868	12UBBJ3A28.A_F	4765528
53	32.83	33954	3.13	16114	12UBBQ3A32.A_F	4763874	12UBBJ3A32.A_F	4765534
50	34.93	35953	3.00	16139	12UBBQ3A36.A_F	4763880	12UBBJ3A36.A_F	4765540
44	39.55	40743	2.65	16263	12UBBQ3A40.A_F	4763886	12UBBJ3A40.A_F	4765546
37	46.81	48210	2.20	16186	12UBBQ3A45.A_F	4763894	12UBBJ3A45.A_F	4765554
33	52.76	54388	1.95	16259	12UBBQ3A50.A_F	4763902	12UBBJ3A50.A_F	4765562
31	56.39	57939	1.87	16247	12UBBQ3A56.A_F	4763910	12UBBJ3A56.A_F	4765570
28	63.57	65299	1.65	16240	12UBBQ3A63.A_F	4763918	12UBBJ3A63.A_F	4765578
23	74.62	76424	1.39	16226	12UBBQ3A71.A_F	4763926	12UBBJ3A71.A_F	4765586
21	83.10	85189	1.25	16216	12UBBQ3A80.A_F	4763934	12UBBJ3A80.A_F	4765594
19	89.89	91865	1.18	16201	12UBBQ3A90.A_F	4763942	12UBBJ3A90.A_F	4765602
17	100.12	102375	1.06	16186	12UBBQ3A100A_F	4763950	12UBBJ3A100A_F	4765610

Motors are available from Rexnord or Rexnord distributors.

30 HP/286TC Motor  
Falk Part No. 1940407

Conforms to the following specifications:

C-Face motor less base, TEFC, 1750 rpm, 208–230/460 Volts, 3 Phase, 60 Hz, NEMA B, 1.15 Service Factor.

Motors meeting other specifications are available upon request.



## UB — Gearmotor Selection Table

### 40 HP/1750 RPM/324TC Frame Motor

Approx Output RPM	Exact Ratio	Actual Output Torque (lb-in)	Service Factor	Overhung Load (lb)	Helical Bevel Gearmotor Less Motor Inch-Dimensioned		Helical Bevel with TA Taper Bushing Gearmotor Less Motor Inch-Dimensioned	
					Drive Designation	Part No.	Drive Designation	Part No.
218	8.03	10991	1.94	6609	09UBBQ3A8.0A_G	4762800	09UBBJ3A8.0A_G	4765213
181	9.68	13208	1.94	6687	09UBBQ3A10.A_G	4762804	09UBBJ3A10.A_G	4765217
158	11.06	15188	1.64	6654	09UBBQ3A11.A_G	4762808	09UBBJ3A11.A_G	4765221
141	12.40	17040	1.54	6676	09UBBQ3A12.A_G	4762812	09UBBJ3A12.A_G	4765225
131	13.33	18247	1.64	6766	09UBBQ3A14.A_G	4762816	09UBBJ3A14.A_G	4765229
117	14.94	20472	1.54	6662	09UBBQ3A16.A_G	4762820	09UBBJ3A16.A_G	4765233
98	17.93	24594	1.21	6539	09UBBQ3A18.A_G	4762824	09UBBJ3A18.A_G	4765237
87	20.03	27456	1.11	6627	09UBBQ3A20.A_G	4762828	09UBBJ3A20.A_G	4765241
81	21.61	29593	1.19	6675	09UBBQ3A22.A_G	4762832	09UBBJ3A22.A_G	4765245
72	24.14	33061	1.09	6595	09UBBQ3A25.A_G	4762836	09UBBJ3A25.A_G	4765249
63	27.78	38160	0.86	6811	09UBBQ3A28.A_G	4762840	09UBBJ3A28.A_G	4765253
176	9.95	13622	3.18	9711	10UBBQ3A10.A_G	4763685	10UBBJ3A10.A_G	4765345
152	11.54	15884	3.10	9823	10UBBQ3A11.A_G	4763689	10UBBJ3A11.A_G	4765349
139	12.55	17272	2.98	9913	10UBBQ3A12.A_G	4763693	10UBBJ3A12.A_G	4765353
126	13.89	19083	3.10	10071	10UBBQ3A14.A_G	4763697	10UBBJ3A14.A_G	4765357
116	15.11	20768	2.98	10251	10UBBQ3A16.A_G	4763701	10UBBJ3A16.A_G	4765361
94	18.57	25557	2.36	10580	10UBBQ3A18.A_G	4763705	10UBBJ3A18.A_G	4765365
87	20.05	27573	2.22	10562	10UBBQ3A20.A_G	4763709	10UBBJ3A20.A_G	4765369
78	22.35	30675	2.08	10630	10UBBQ3A22.A_G	4763713	10UBBJ3A22.A_G	4765373
73	24.13	33138	1.92	10554	10UBBQ3A25.A_G	4763717	10UBBJ3A25.A_G	4765377
60	29.24	40229	1.58	10509	10UBBQ3A28.A_G	4763721	10UBBJ3A28.A_G	4765381
53	33.10	45535	1.40	10408	10UBBQ3A32.A_G	4763725	10UBBJ3A32.A_G	4765385
50	35.19	48315	1.32	10469	10UBBQ3A36.A_G	4763729	10UBBJ3A36.A_G	4765389
44	39.84	54720	1.17	10868	10UBBQ3A40.A_G	4763733	10UBBJ3A40.A_G	4765393
39	45.37	62460	1.02	10678	10UBBQ3A45.A_G	4763739	10UBBJ3A45.A_G	4765399
35	50.41	69299	0.92	11150	10UBBQ3A50.A_G	4763745	10UBBJ3A50.A_G	4765405
171	10.26	14091	3.80	15061	12UBBQ3A10.A_G	4763815	12UBBJ3A10.A_G	4765475
148	11.80	16270	3.80	15286	12UBBQ3A11.A_G	4763821	12UBBJ3A11.A_G	4765481
135	12.96	17892	3.80	15466	12UBBQ3A12.A_G	4763827	12UBBJ3A12.A_G	4765487
123	14.21	19561	3.80	15736	12UBBQ3A14.A_G	4763833	12UBBJ3A14.A_G	4765493
112	15.61	21508	3.80	16028	12UBBQ3A16.A_G	4763839	12UBBJ3A16.A_G	4765499
96	18.20	25031	3.80	16275	12UBBQ3A18.A_G	4763845	12UBBJ3A18.A_G	4765505
87	20.17	27812	3.60	16275	12UBBQ3A20.A_G	4763851	12UBBJ3A20.A_G	4765511
80	21.93	30106	3.58	16275	12UBBQ3A22.A_G	4763857	12UBBJ3A22.A_G	4765517
72	24.29	33382	3.23	15938	12UBBQ3A25.A_G	4763863	12UBBJ3A25.A_G	4765523
60	28.99	39912	2.65	15866	12UBBQ3A28.A_G	4763869	12UBBJ3A28.A_G	4765529
53	32.83	45272	2.34	15790	12UBBQ3A32.A_G	4763875	12UBBJ3A32.A_G	4765535
50	34.93	47937	2.25	15866	12UBBQ3A36.A_G	4763881	12UBBJ3A36.A_G	4765541
44	39.55	54324	1.99	16251	12UBBQ3A40.A_G	4763887	12UBBJ3A40.A_G	4765547
37	46.81	64280	1.65	16096	12UBBQ3A45.A_G	4763895	12UBBJ3A45.A_G	4765555
33	52.76	72518	1.47	16242	12UBBQ3A50.A_G	4763903	12UBBJ3A50.A_G	4765563
31	56.39	77252	1.40	16227	12UBBQ3A56.A_G	4763911	12UBBJ3A56.A_G	4765571
28	63.57	87065	1.24	16214	12UBBQ3A63.A_G	4763919	12UBBJ3A63.A_G	4765579
23	74.62	101898	1.04	16190	12UBBQ3A71.A_G	4763927	12UBBJ3A71.A_G	4765587
21	83.10	113586	0.94	16186	12UBBQ3A80.A_G	4763935	12UBBJ3A80.A_G	4765595

Motors are available from Rexnord or Rexnord distributors.

40 HP/324TC Motor  
Falk Part No. 1940408

Conforms to the following specifications:

C-Face motor less base, TEFC, 1750 rpm, 208–230/460 Volts, 3 Phase, 60 Hz, NEMA B, 1.15 Service Factor.

Motors meeting other specifications are available upon request.

## UB — Gearmotor Selection Table

### 50 HP/1750 RPM/326TC Frame Motor

Approx Output RPM	Exact Ratio	Actual Output Torque (lb-in)	Service Factor	Overhung Load (lb)	Helical Bevel Gearmotor Less Motor Inch-Dimensioned		Helical Bevel with TA Taper Bushing Gearmotor Less Motor Inch-Dimensioned	
					Drive Designation	Part No.	Drive Designation	Part No.
218	8.03	13693	1.55	6328	09UBBQ3A8.0A_G	4762800	09UBBJ3A8.0A_G	4765213
181	9.68	16454	1.55	6356	09UBBQ3A10.A_G	4762804	09UBBJ3A10.A_G	4765217
158	11.06	18921	1.31	6260	09UBBQ3A11.A_G	4762808	09UBBJ3A11.A_G	4765221
141	12.40	21229	1.23	6238	09UBBQ3A12.A_G	4762812	09UBBJ3A12.A_G	4765225
131	13.33	22732	1.31	6328	09UBBQ3A14.A_G	4762816	09UBBJ3A14.A_G	4765229
117	14.94	25503	1.23	6253	09UBBQ3A16.A_G	4762820	09UBBJ3A16.A_G	4765233
98	17.93	30638	0.97	6079	09UBBQ3A18.A_G	4762824	09UBBJ3A18.A_G	4765237
176	9.95	16970	2.54	9464	10UBBQ3A10.A_G	4763685	10UBBJ3A10.A_G	4765345
152	11.54	19787	2.48	9531	10UBBQ3A11.A_G	4763689	10UBBJ3A11.A_G	4765349
139	12.55	21517	2.38	9587	10UBBQ3A12.A_G	4763693	10UBBJ3A12.A_G	4765353
126	13.89	23773	2.48	9722	10UBBQ3A14.A_G	4763697	10UBBJ3A14.A_G	4765357
116	15.11	25872	2.38	9869	10UBBQ3A16.A_G	4763701	10UBBJ3A16.A_G	4765361
94	18.57	31838	1.89	10101	10UBBQ3A18.A_G	4763705	10UBBJ3A18.A_G	4765365
87	20.05	34349	1.78	10125	10UBBQ3A20.A_G	4763709	10UBBJ3A20.A_G	4765369
78	22.35	38214	1.66	10238	10UBBQ3A22.A_G	4763713	10UBBJ3A22.A_G	4765373
73	24.13	41282	1.54	10223	10UBBQ3A25.A_G	4763717	10UBBJ3A25.A_G	4765377
60	29.24	50115	1.27	10155	10UBBQ3A28.A_G	4763721	10UBBJ3A28.A_G	4765381
53	33.10	56725	1.12	10071	10UBBQ3A32.A_G	4763725	10UBBJ3A32.A_G	4765385
50	35.19	60190	1.05	10158	10UBBQ3A36.A_G	4763729	10UBBJ3A36.A_G	4765389
44	39.84	68169	0.93	10723	10UBBQ3A40.A_G	4763733	10UBBJ3A40.A_G	4765393
171	10.26	17555	3.04	14828	12UBBQ3A10.A_G	4763815	12UBBJ3A10.A_G	4765475
148	11.80	20269	3.04	15000	12UBBQ3A11.A_G	4763821	12UBBJ3A11.A_G	4765481
135	12.96	22290	3.04	15151	12UBBQ3A12.A_G	4763827	12UBBJ3A12.A_G	4765487
123	14.21	24369	3.04	15410	12UBBQ3A14.A_G	4763833	12UBBJ3A14.A_G	4765493
112	15.61	26794	3.04	15668	12UBBQ3A16.A_G	4763839	12UBBJ3A16.A_G	4765499
96	18.20	31183	3.04	15862	12UBBQ3A18.A_G	4763845	12UBBJ3A18.A_G	4765505
87	20.17	34648	2.88	15862	12UBBQ3A20.A_G	4763851	12UBBJ3A20.A_G	4765511
80	21.93	37505	2.86	15902	12UBBQ3A22.A_G	4763857	12UBBJ3A22.A_G	4765517
72	24.29	41586	2.58	15601	12UBBQ3A25.A_G	4763863	12UBBJ3A25.A_G	4765523
60	28.99	49721	2.12	15456	12UBBQ3A28.A_G	4763869	12UBBJ3A28.A_G	4765529
53	32.83	56398	1.88	15466	12UBBQ3A32.A_G	4763875	12UBBJ3A32.A_G	4765535
50	34.93	59719	1.80	15594	12UBBQ3A36.A_G	4763881	12UBBJ3A36.A_G	4765541
44	39.55	67675	1.59	16239	12UBBQ3A40.A_G	4763887	12UBBJ3A40.A_G	4765547
37	46.81	80078	1.32	16006	12UBBQ3A45.A_G	4763895	12UBBJ3A45.A_G	4765555
33	52.76	90340	1.17	16225	12UBBQ3A50.A_G	4763903	12UBBJ3A50.A_G	4765563
31	56.39	96238	1.12	16206	12UBBQ3A56.A_G	4763911	12UBBJ3A56.A_G	4765571
28	63.57	108463	0.99	16189	12UBBQ3A63.A_G	4763919	12UBBJ3A63.A_G	4765579

Motors are available from Rexnord or Rexnord distributors.

50 HP/326TC Motor  
Falk Part No. 1940409

Conforms to the following specifications:

C-Face motor less base, TEFC, 1750 rpm, 208–230/460 Volts, 3 Phase, 60 Hz, NEMA B, 1.15 Service Factor.

Motors meeting other specifications are available upon request.

## UB — Gearmotor Selection Table

### 60 HP/1750 RPM/364TC Frame Motor

Approx Output RPM	Exact Ratio	Actual Output Torque (lb-in)	Service Factor	Overhung Load (lb)	Helical Bevel Gearmotor Less Motor Inch-Dimensioned		Helical Bevel with TA Taper Bushing Gearmotor Less Motor Inch-Dimensioned	
					Drive Designation	Part No.	Drive Designation	Part No.
171	10.26	21066	2.53	14595	12UBBQ3A10.A_H	4763816	12UBBJ3A10.A_H	4765476
148	11.80	24323	2.53	14713	12UBBQ3A11.A_H	4763822	12UBBJ3A11.A_H	4765482
135	12.96	26748	2.53	14837	12UBBQ3A12.A_H	4763828	12UBBJ3A12.A_H	4765488
123	14.21	29243	2.53	15084	12UBBQ3A14.A_H	4763834	12UBBJ3A14.A_H	4765494
112	15.61	32153	2.53	15309	12UBBQ3A16.A_H	4763840	12UBBJ3A16.A_H	4765500
96	18.20	37420	2.53	15449	12UBBQ3A18.A_H	4763846	12UBBJ3A18.A_H	4765506
87	20.17	41577	2.40	15449	12UBBQ3A20.A_H	4763852	12UBBJ3A20.A_H	4765512
80	21.93	45007	2.38	15528	12UBBQ3A22.A_H	4763858	12UBBJ3A22.A_H	4765518
72	24.29	49904	2.15	15264	12UBBQ3A25.A_H	4763864	12UBBJ3A25.A_H	4765524
60	28.99	59665	1.77	15047	12UBBQ3A28.A_H	4763870	12UBBJ3A28.A_H	4765530
53	32.83	67678	1.57	15143	12UBBQ3A32.A_H	4763876	12UBBJ3A32.A_H	4765536
50	34.93	71663	1.50	15321	12UBBQ3A36.A_H	4763882	12UBBJ3A36.A_H	4765542
44	39.55	81210	1.33	16227	12UBBQ3A40.A_H	4763888	12UBBJ3A40.A_H	4765548
37	46.81	96094	1.10	15916	12UBBQ3A45.A_H	4763896	12UBBJ3A45.A_H	4765556
33	52.76	108408	0.98	16208	12UBBQ3A50.A_H	4763904	12UBBJ3A50.A_H	4765564

Motors are available from Rexnord or Rexnord distributors.

60 HP/364TC Motor  
Falk Part No. Consult Rexnord

Conforms to the following specifications:

C-Face motor less base, TEFC, 1750 rpm, 208–230/460 Volts, 3 Phase, 60 Hz, NEMA B, 1.15 Service Factor.

Motors meeting other specifications are available upon request.

### 75 HP/1750 RPM/365TC Frame Motor

Approx Output RPM	Exact Ratio	Actual Output Torque (lb-in)	Service Factor	Overhung Load (lb)	Helical Bevel Gearmotor Less Motor Inch-Dimensioned		Helical Bevel with TA Taper Bushing Gearmotor Less Motor Inch-Dimensioned	
					Drive Designation	Part No.	Drive Designation	Part No.
171	10.26	26332	2.03	14245	12UBBQ3A10.A_H	4763816	12UBBJ3A10.A_H	4765476
148	11.80	30403	2.03	14283	12UBBQ3A11.A_H	4763822	12UBBJ3A11.A_H	4765482
135	12.96	33435	2.03	14365	12UBBQ3A12.A_H	4763828	12UBBJ3A12.A_H	4765488
123	14.21	36553	2.03	14595	12UBBQ3A14.A_H	4763834	12UBBJ3A14.A_H	4765494
112	15.61	40192	2.03	14769	12UBBQ3A16.A_H	4763840	12UBBJ3A16.A_H	4765500
96	18.20	46775	2.03	14830	12UBBQ3A18.A_H	4763846	12UBBJ3A18.A_H	4765506
87	20.17	51972	1.92	14830	12UBBQ3A20.A_H	4763852	12UBBJ3A20.A_H	4765512
80	21.93	56258	1.91	14967	12UBBQ3A22.A_H	4763858	12UBBJ3A22.A_H	4765518
72	24.29	62380	1.72	14758	12UBBQ3A25.A_H	4763864	12UBBJ3A25.A_H	4765524
60	28.99	74582	1.41	14432	12UBBQ3A28.A_H	4763870	12UBBJ3A28.A_H	4765530
53	32.83	84597	1.25	14657	12UBBQ3A32.A_H	4763876	12UBBJ3A32.A_H	4765536
50	34.93	89578	1.20	14912	12UBBQ3A36.A_H	4763882	12UBBJ3A36.A_H	4765542
44	39.55	101512	1.06	16208	12UBBQ3A40.A_H	4763888	12UBBJ3A40.A_H	4765548
37	46.81	120118	0.88	15781	12UBBQ3A45.A_H	4763896	12UBBJ3A45.A_H	4765556

Motors are available from Rexnord or Rexnord distributors.

75 HP/365TC Motor  
Falk Part No. Consult Rexnord

Conforms to the following specifications:

C-Face motor less base, TEFC, 1750 rpm, 208–230/460 Volts, 3 Phase, 60 Hz, NEMA B, 1.15 Service Factor.

Motors meeting other specifications are available upon request.

### 100 HP/1750 RPM/405TC Frame Motor

Approx Output RPM	Exact Ratio	Actual Output Torque (lb-in)	Service Factor	Overhung Load (lb)	Helical Bevel Gearmotor Less Motor Inch-Dimensioned		Helical Bevel with TA Taper Bushing Gearmotor Less Motor Inch-Dimensioned	
					Drive Designation	Part No.	Drive Designation	Part No.
171	10.26	34873	1.52	13662	12UBBQ3A10.A_J	4763817	12UBBJ3A10.A_J	4765477
148	11.80	40265	1.52	13567	12UBBQ3A11.A_J	4763823	12UBBJ3A11.A_J	4765483
135	12.96	44280	1.52	13578	12UBBQ3A12.A_J	4763829	12UBBJ3A12.A_J	4765489
123	14.21	48410	1.52	13780	12UBBQ3A14.A_J	4763835	12UBBJ3A14.A_J	4765495
112	15.61	53228	1.52	13870	12UBBQ3A16.A_J	4763841	12UBBJ3A16.A_J	4765501
96	18.20	61946	1.52	13797	12UBBQ3A18.A_J	4763847	12UBBJ3A18.A_J	4765507
87	20.17	68829	1.44	13797	12UBBQ3A20.A_J	4763853	12UBBJ3A20.A_J	4765513
80	21.93	74506	1.43	14033	12UBBQ3A22.A_J	4763859	12UBBJ3A22.A_J	4765519
72	24.29	82613	1.29	13915	12UBBQ3A25.A_J	4763865	12UBBJ3A25.A_J	4765525
60	28.99	98773	1.06	13408	12UBBQ3A28.A_J	4763871	12UBBJ3A28.A_J	4765531
53	32.83	112037	0.94	13848	12UBBQ3A32.A_J	4763877	12UBBJ3A32.A_J	4765537

Motors are available from Rexnord or Rexnord distributors.

100 HP/405TC Motor  
Falk Part No. Consult Rexnord

Conforms to the following specifications:

C-Face motor less base, TEFC, 1750 rpm, 208–230/460 Volts, 3 Phase, 60 Hz, NEMA B, 1.15 Service Factor.

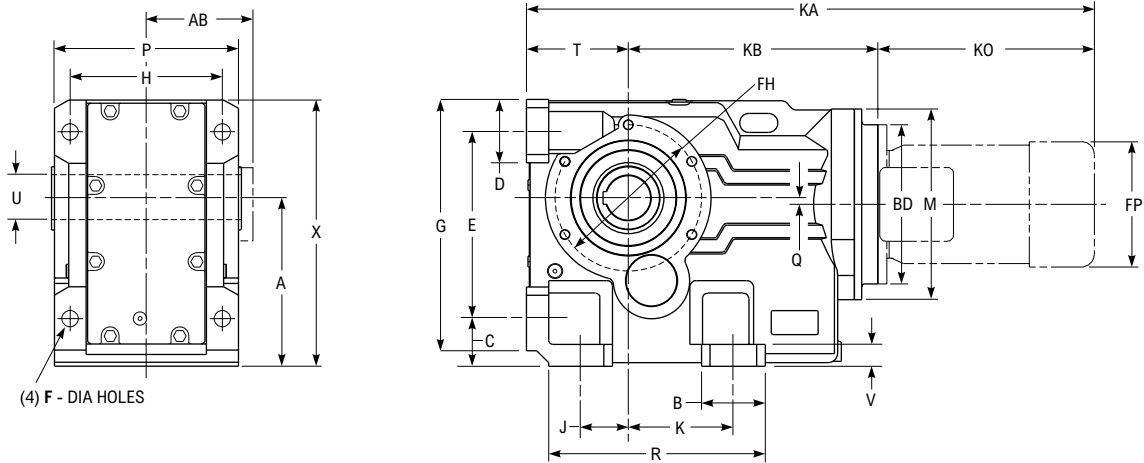
Motors meeting other specifications are available upon request.



# UB — Triple Reduction Gearmotor/Basic Drive

Sizes 03-12

Basic Drive, Hollow Low-Speed Shaft, Integral Base & End-Mounted Feet



Dimensions (in)

Size ①	A	B	C	D	E	F	FH	G	H	J	K	M	P	Q	R	T	Hollow L.S. Shaft		V	X
																	U ② +.0012 -.0000	Keyway		
03	3.94	1.50	1.26	1.50	4.53	0.43	4.21	5.98	3.94	1.10	3.23	5.51	4.72	0.63	5.63	2.48	1.250	0.250 x 0.127 x 1.72	0.43	6.57
04	4.41	1.50	1.46	1.57	5.12	0.43	5.12	6.73	4.72	1.38	3.74	5.51	5.71	0.51	6.61	2.80	1.375	0.312 x 0.150 x 5.91	0.63	7.36
05	5.20	1.57	1.77	1.57	5.91	0.55	4.92	7.56	5.12	1.18	3.94	7.09	6.18	0.20	6.69	3.15	1.500	0.375 x 0.175 x 6.54	0.59	8.54
06	5.51	2.17	1.77	1.89	6.30	0.55	5.91	8.19	5.51	1.18	3.54	7.09	6.69	0.51	6.93	3.54	1.500	0.375 x 0.175 x 7.09	0.79	9.17
07	7.09	2.36	2.17	2.17	7.87	0.71	5.91	10.35	6.50	1.57	4.34	8.35	7.87	0.98	8.27	4.41	2.000	0.500 x 0.230 x 8.27	1.06	11.34
08	8.35	2.99	2.76	2.99	9.17	0.91	7.68	12.17	7.09	2.17	4.92	9.84	9.06	0.59	10.08	5.20	2.375	0.625 x 0.281 x 9.45	1.18	13.43
09	10.43	3.94	2.95	3.94	11.61	1.06	9.06	15.55	9.45	2.95	6.50	11.81	11.42	0.39	13.39	6.30	2.750	0.625 x 0.287 x 11.81	1.38	16.54
10	12.40	4.33	3.74	4.53	14.17	1.34	11.02	17.91	10.63	3.74	7.28	14.17	13.39	1.61	15.35	7.87	3.250	0.750 x 0.340 x 13.78	1.57	19.88
12	14.76	4.72	4.33	4.72	16.54	1.54	11.02	21.26	12.99	4.53	9.25	15.75	15.75	2.56	18.50	8.86	4.000	1.000 x 0.445 x 16.14	1.77	23.23

Typical NEMA Motor Dimensions (in) ①

Frame Size	Drive Size																					
	All Sizes			03		04		05		06		07		08		09		10		12		
	AB	BD	FP	KO (Max)	KA (Max)	KB	KA (Max)	KB	KA (Max)	KB	KA (Max)	KB	KA (Max)	KB	KA (Max)	KB	KA (Max)	KB	KA (Max)	KB		
56C	5.25	6.50	7.19	12.00	22.56	8.08	23.67	8.87	25.11	9.96	25.90	10.36	28.34	11.93	32.32	15.12	-	-	-	-		
143TC/145TC	5.25	6.50	7.19	12.06	22.62	8.08	23.73	8.87	25.17	9.96	25.96	10.36	28.40	11.93	32.38	15.12	-	-	-	-		
182TC/184TC	5.88	9.00	8.50	15.44	26.42	8.50	27.53	9.29	30.06	11.47	30.85	11.87	32.58	12.73	35.76	15.12	38.24	16.51	42.32	19.01	47.05	22.75
213TC/215TC	7.38	9.00	10.19	16.31	-	-	-	-	30.93	11.47	31.72	11.87	33.45	12.73	36.63	15.12	39.12	16.51	43.19	19.01	47.92	22.75
254TC/256TC	8.94	9.13	12.50	19.63	-	-	-	-	-	-	-	-	36.77	12.73	39.95	15.12	43.81	17.88	47.69	20.19	51.24	22.75
284TC/286TC	13.13	11.19	15.56	23.19	-	-	-	-	-	-	-	-	-	-	-	-	47.49	18.00	51.37	20.31	54.92	22.87
324TC/326TC	14.13	13.38	16.94	25.25	-	-	-	-	-	-	-	-	-	-	-	-	50.18	18.63	54.06	20.94	57.61	23.50
364TC/365TC	15.06	13.38	19.00	26.93	-	-	-	-	-	-	-	-	-	-	-	-	-	-	-	-	65.99	30.20
404TC/405TC	18.00	13.38	20.63	29.88	-	-	-	-	-	-	-	-	-	-	-	-	-	-	-	-	70.31	31.57

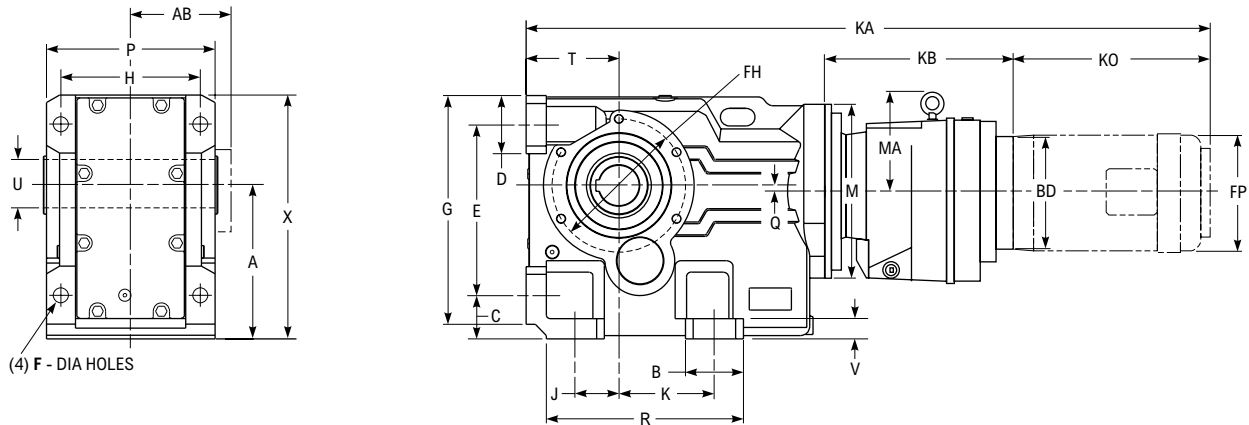
① Refer to page 5 for General Information and Reference Notes.

② Size 10 & 12 tolerance is +.0014, -.0000.

# UB — Quintuple Reduction Gearmotor/Basic Drive

## Sizes 03-12

Basic Drive, Hollow Low-Speed Shaft, Integral Base & End-Mounted Feet



### Dimensions (in)

Size ①	A	B	C	D	E	F	FH	G	H	J	K	M	MA	P	Q	R	T	Hollow L.S. Shaft		V	X
																		U <sup>②</sup> +.0012 -.0000	Keyway		
03	3.94	1.50	1.26	1.50	4.53	0.43	4.21	5.98	3.94	1.10	3.23	5.51	—	4.72	0.63	5.63	2.48	1.250	0.250 x 0.127 x 1.72	0.43	6.57
04	4.41	1.50	1.46	1.57	5.12	0.43	5.12	6.73	4.72	1.38	3.74	5.51	—	5.71	0.51	6.61	2.80	1.375	0.312 x 0.150 x 5.91	0.63	7.36
05	5.20	1.57	1.77	1.57	5.91	0.55	4.92	7.56	5.12	1.18	3.94	7.09	—	6.18	0.20	6.69	3.15	1.500	0.375 x 0.175 x 6.54	0.59	8.54
06	5.51	2.17	1.77	1.89	6.30	0.55	5.91	8.19	5.51	1.18	3.54	7.09	—	6.69	0.51	6.93	3.54	1.500	0.375 x 0.175 x 7.09	0.79	9.17
07	7.09	2.36	2.17	2.17	7.87	0.71	5.91	10.35	6.50	1.57	4.34	8.35	—	7.87	0.98	8.27	4.41	2.000	0.500 x 0.230 x 8.27	1.06	11.34
08	8.35	2.99	2.76	2.99	9.17	0.91	7.68	12.17	7.09	2.17	4.92	9.84	—	9.06	0.59	10.08	5.20	2.375	0.625 x 0.281 x 9.45	1.18	13.43
09	10.43	3.94	2.95	3.94	11.61	1.06	9.06	15.55	9.45	2.95	6.50	11.81	—	11.42	0.39	13.39	6.30	2.750	0.625 x 0.287 x 11.81	1.38	16.54
10	12.40	4.33	3.74	4.53	14.17	1.34	11.02	17.91	10.63	3.74	7.28	14.17	6.10	13.39	1.61	15.35	7.87	3.250	0.750 x 0.340 x 13.78	1.57	19.88
12	14.76	4.72	4.33	4.72	16.54	1.54	11.02	21.26	12.99	4.53	9.25	15.75	6.10	15.75	2.56	18.50	8.86	4.000	1.000 x 0.445 x 16.14	1.77	23.23

### Typical NEMA Motor Dimensions (in) ①

Frame Size	Drive Size																					
	All Sizes				03		04		05		06		07		08		09		10		12	
	AB	BD	FP	KO (Max)	KA (Max)	KB	KA (Max)	KB	KA (Max)	KB	KA (Max)	KB	KA (Max)	KB	KA (Max)	KB	KA (Max)	KB	KA (Max)	KB	KA (Max)	KB
56C	5.25	6.50	7.19	12.00	29.89	7.14	31.00	7.14	33.62	7.96	34.41	7.96	36.65	7.96	41.18	9.14	43.70	9.14	49.52	11.15	54.51	11.15
143TC/145TC	5.25	6.50	7.19	12.06	29.95	7.14	31.06	7.14	33.68	7.96	34.47	7.96	36.71	7.96	41.18	9.14	43.76	9.14	49.58	11.15	54.57	11.15
182TC/184TC	5.88	9.00	8.50	15.44	33.75	7.56	34.86	7.56	37.48	8.38	38.27	8.38	40.51	8.38	46.13	10.65	48.65	10.65	53.76	11.95	58.75	11.95
213TC/215TC	7.38	9.00	10.19	16.31	—	—	—	—	—	—	—	—	—	—	—	—	—	—	54.63	11.95	59.62	11.95
254TC/256TC	8.94	9.13	12.50	19.63	—	—	—	—	—	—	—	—	—	—	—	—	—	—	57.95	11.95	62.94	11.95

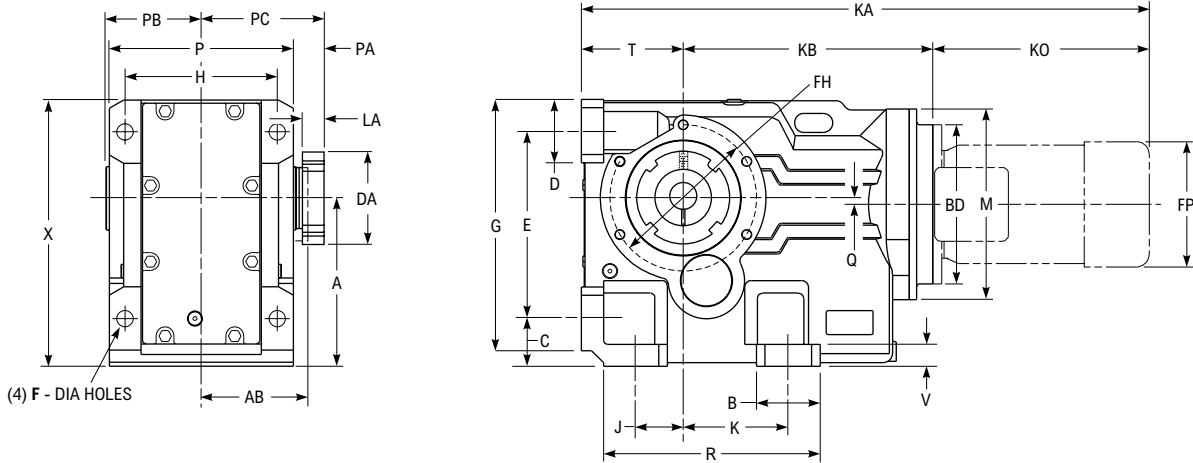
① Refer to page 5 for General Information and Reference Notes.

② Size 10 & 12 tolerance is +.0014, -.0000.

# UB — Triple Reduction Gearmotor/TA Taper Bushing

## Sizes 05-12

Basic Drive with TA Taper Bushing, Integral Base & End-Mounted Feet



### Dimensions (in)

Size ①	A	B	C	D	DA	E	F	FH	G	H	J	K	LA	M	P	PA	PB	PC	Q	R	T	Hollow L.S. Shaft	V	X
05	5.20	1.57	1.77	1.57	3.31	5.91	0.55	4.92	7.56	5.12	1.18	3.94	1.26	7.09	6.18	1.61	3.27	4.57	0.20	6.69	3.15	Refer to TA Taper Bushing Dimensions on pages 45 and 46	0.59	8.54
06	5.51	2.17	1.77	1.89	4.06	6.30	0.55	5.91	8.19	5.51	1.18	3.54	1.46	7.09	6.69	1.77	3.54	5.04	0.51	6.93	3.54		0.79	9.17
07	7.09	2.36	2.17	2.17	4.31	7.87	0.71	5.91	10.35	6.50	1.57	4.34	1.46	8.35	7.87	1.61	4.13	5.35	0.98	8.27	4.41		1.06	11.34
08	8.35	2.99	2.76	2.99	4.81	9.17	0.91	7.68	12.17	7.09	2.17	4.92	1.46	9.84	9.06	2.03	4.72	6.56	0.59	10.08	5.20		1.18	13.43
09	10.43	3.94	2.95	3.94	5.68	11.61	1.06	9.06	15.55	9.45	2.95	6.50	1.76	11.81	11.42	2.24	5.91	7.95	0.39	13.39	6.30		1.38	16.54
10	12.40	4.33	3.74	4.53	6.06	14.17	1.34	11.02	17.91	10.63	3.74	7.28	1.76	14.17	13.39	2.41	6.89	9.10	1.61	15.35	7.87		1.57	19.88
12	14.76	4.72	4.33	4.72	6.81	16.54	1.54	11.02	21.26	12.99	4.53	9.25	1.80	15.75	15.75	2.46	8.07	10.33	2.56	18.50	8.86		1.77	23.23

### Typical NEMA Motor Dimensions (in) ②

Frame Size	Drive Size																		
	All Sizes				05		06		07		08		09		10		12		
	AB	BD	FP	KO (Max)	KA (Max)	KB	KA (Max)	KB	KA (Max)	KB	KA (Max)	KB	KA (Max)	KB	KA (Max)	KB	KA (Max)	KB	
56C	5.25	6.50	7.19	12.00	25.11	9.96	25.90	10.36	28.34	11.93	32.32	15.12	-	-	-	-	-	-	
143TC/145TC	5.25	6.50	7.19	12.06	25.17	9.96	25.96	10.36	28.40	11.93	32.38	15.12	-	-	-	-	-	-	
182TC/184TC	5.88	9.00	8.50	15.44	30.06	11.47	30.85	11.87	32.58	12.73	35.76	15.12	38.24	16.51	42.32	19.01	47.05	22.75	
213TC/215TC	7.38	9.00	10.19	16.31	30.93	11.47	31.72	11.87	33.45	12.73	36.63	15.12	39.12	16.51	43.19	19.01	47.92	22.75	
254TC/256TC	8.94	9.13	12.50	19.63	-	-	-	-	36.77	12.73	39.95	15.12	43.81	17.88	47.69	20.19	51.24	22.75	
284TC/286TC	13.13	11.19	15.56	23.19	-	-	-	-	-	-	-	-	47.49	18.00	51.37	20.31	54.92	22.87	
324TC/326TC	14.13	13.38	16.94	25.25	-	-	-	-	-	-	-	-	50.18	18.63	54.06	20.94	57.61	23.50	
364TC/365TC	15.06	13.38	19.00	26.93	-	-	-	-	-	-	-	-	-	-	-	-	65.99	30.20	
404TC/405TC	18.00	13.38	20.63	29.88	-	-	-	-	-	-	-	-	-	-	-	-	70.31	31.57	

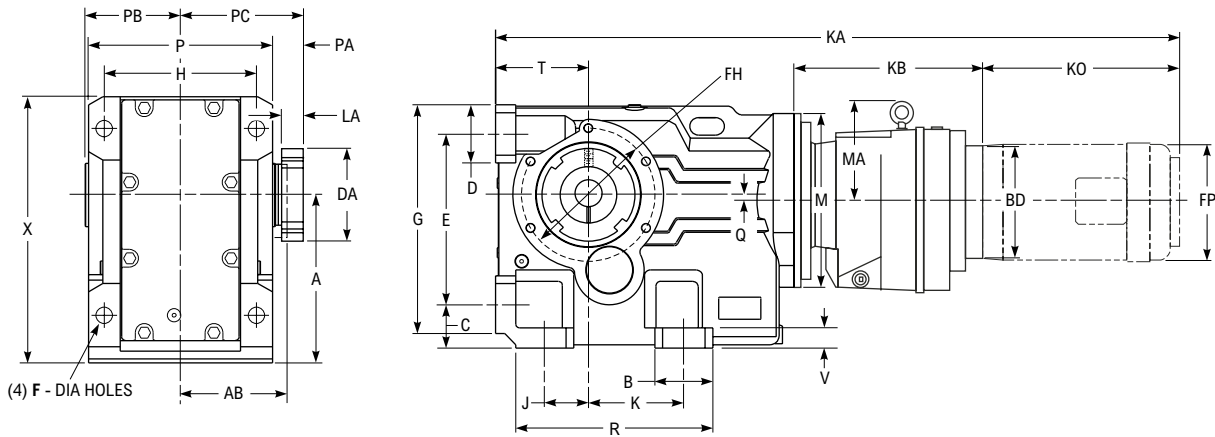
① Refer to page 5 for General Information and Reference Notes.

② Size 10 & 12 tolerance is +.0014, -.0000.

# UB — Quintuple Reduction Gearmotor/TA Taper Bushing

Sizes 05-12

Basic Drive with TA Taper Bushing, Integral Base & End-Mounted Feet



## Dimensions (in)

Size ①	A	B	C	D	DA	E	F	FH	G	H	J	K	LA	M	MA	P	PA	PB	PC	Q	R	T	Hollow L.S. Shaft	V	X
05	5.20	1.57	1.77	1.57	3.31	5.91	0.55	4.92	7.56	5.12	1.18	3.94	1.26	7.09	—	6.18	1.61	3.27	4.57	0.20	6.69	3.15	Refer to TA Taper Bushing Dimensions on pages 45 and 46	0.59	8.54
06	5.51	2.17	1.77	1.89	4.06	6.30	0.55	5.91	8.19	5.51	1.18	3.54	1.46	7.09	—	6.69	1.77	3.54	5.04	0.51	6.93	3.54		0.79	9.17
07	7.09	2.36	2.17	2.17	4.31	7.87	0.71	5.91	10.35	6.50	1.57	4.34	1.46	8.35	—	7.87	1.61	4.13	5.35	0.98	8.27	4.41		1.06	11.34
08	8.35	2.99	2.76	2.99	4.81	9.17	0.91	7.68	12.17	7.09	2.17	4.92	1.46	9.84	—	9.06	2.03	4.72	6.56	0.59	10.08	5.20		1.18	13.43
09	10.43	3.94	2.95	3.94	5.68	11.61	1.06	9.06	15.55	9.45	2.95	6.50	1.76	11.81	—	11.42	2.24	5.91	7.95	0.39	13.39	6.30		1.38	16.54
10	12.40	4.33	3.74	4.53	6.06	14.17	1.34	11.02	17.91	10.63	3.74	7.28	1.76	14.17	6.10	13.39	2.41	6.89	9.10	1.61	15.35	7.87		1.57	19.88
12	14.76	4.72	4.33	4.72	6.81	16.54	1.54	11.02	21.26	12.99	4.53	9.25	1.80	15.75	6.10	15.75	2.46	8.07	10.33	2.56	18.50	8.86		1.77	23.23

## Typical NEMA Motor Dimensions (in) ①

Frame Size	Drive Size																	
	All Sizes				05		06		07		08		09		10		12	
	AB	BD	FP	KO (Max)	KA (Max)	KB	KA (Max)	KB	KA (Max)	KB	KA (Max)	KB	KA (Max)	KB	KA (Max)	KB	KA (Max)	KB
56C	5.25	6.50	7.19	12.00	33.62	7.96	34.41	7.96	36.65	7.96	41.18	9.14	43.70	9.14	49.52	11.15	54.51	11.15
143TC/145TC	5.25	6.50	7.19	12.06	33.68	7.96	34.47	7.96	36.71	7.96	41.18	9.14	43.76	9.14	49.58	11.15	54.57	11.15
182TC/184TC	5.88	9.00	8.50	15.44	37.48	8.38	38.27	8.38	40.51	8.38	46.13	10.65	48.65	10.65	53.76	11.95	58.75	11.95
213TC/215TC	7.38	9.00	10.19	16.31	—	—	—	—	—	—	—	—	—	—	54.63	11.95	59.62	11.95
254TC/256TC	8.94	9.13	12.50	19.63	—	—	—	—	—	—	—	—	—	—	57.95	11.95	62.94	11.95

① Refer to page 5 for General Information and Reference Notes.

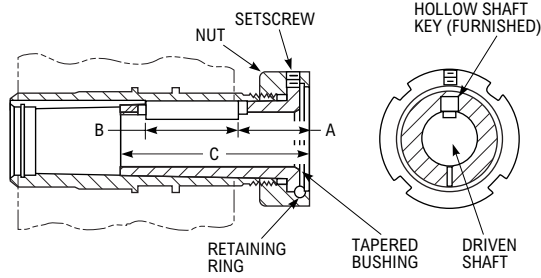
② Size 10 & 12 tolerance is +.0014, -.0000.

# UB — Helical Bevel Gearmotor and Gear Drive/TA Taper Bushing

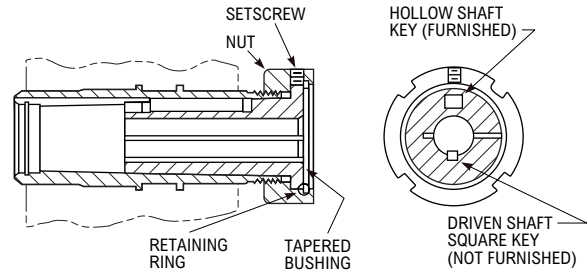
## Sizes 05-07

### TA Taper Bushing

Style No. 1 — Thin-Wall Bushing



Style No. 2 — Thick-Wall Bushing



### Dimensions (in)

Drive Size	A	B	C Minimum Shaft Engagement	Bushing Size	Part Number ①	Style No.	Driven Shaft Keyway Min Key Length ②	Wt (lb)
05UB	1.89	2.50	5.00	BU4107J/05UW-1.000	0769061	2	1/4 x 1/8 x 2-1/2	2.1
				BU4107J/05UW-1.125	0769062	2	1/4 x 1/8 x 2-1/4	1.8
				BU4107J/05UW-1.188	0769063	2	1/4 x 1/8 x 2	1.6
				BU4107J/05UW-1.250	0769064	1	1/4 x 1/8 x 2-1/2	1.5
				BU4107J/05UW-1.375	6720659	1	3/8 x 3/16 x 2-1/2	1.0
				BU4107J/05UW-1.438	0769065	1	3/8 x 3/16 x 2-1/2	1.0
06UB	2.10	2.75	5.55	BU4115J/06UW-1.188	0769077	2	1/4 x 1/8 x 4-1/4	4.3
				BU4115J/06UW-1.250	0769078	2	1/4 x 1/8 x 4	4.1
				BU4115J/06UW-1.438	0769079	2	3/8 x 3/16 x 2-1/4	3.5
				BU4115J/06UW-1.500	0769080	2	3/8 x 3/16 x 2-1/4	3.3
				BU4115J/06UW-1.625	0769081	1	3/8 x 3/16 x 2-3/4	2.9
				BU4115J/06UW-1.688	0769082	1	3/8 x 3/16 x 2-3/4	2.7
				BU4115J/06UW-1.750	0769083	1	3/8 x 3/16 x 2-3/4	2.4
				BU4115J/06UW-1.938	0769084	1	1/2 x 1/4 x 2-3/4	1.7
07UB	1.56	3.25	5.53	BU4203J/07UW-1.438	0769117	2	3/8 x 3/16 x 3-1/4	5.0
				BU4203J/07UW-1.500	0769118	2	3/8 x 3/16 x 3-1/4	5.1
				BU4203J/07UW-1.625	0769119	2	3/8 x 3/16 x 3	4.6
				BU4203J/07UW-1.688	0769120	2	3/8 x 3/16 x 2-3/4	4.4
				BU4203J/07UW-1.750	0769121	2	3/8 x 3/16 x 2-3/4	4.4
				BU4203J/07UW-1.875	0769122	1	1/2 x 1/4 x 3-1/4	3.6
				BU4203J/07UW-1.938	0769123	1	1/2 x 1/4 x 3-1/4	3.3
				BU4203J/07UW-2.000	0769124	1	1/2 x 1/4 x 3-1/4	3.0
				BU4203J/07UW-2.188	0769125	1	1/2 x 1/4 x 3-1/4	3.0

① Consists of bushing, drive key, nut, retaining ring and setscrew.

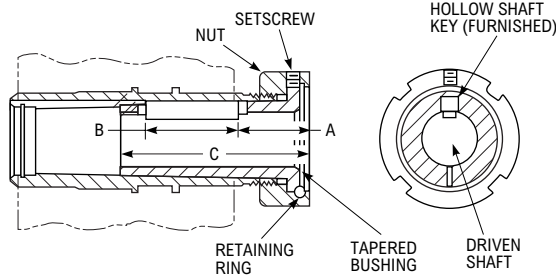
② Check strength of driven shaft and unfurnished key.

# UB — Helical Bevel Gearmotor and Gear Drive/TA Taper Bushing

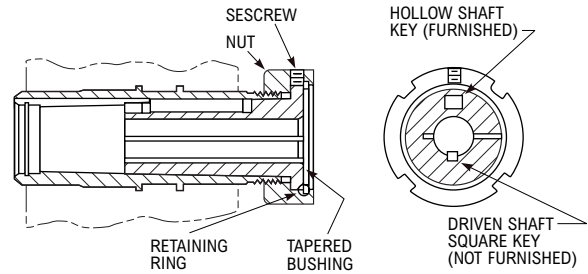
Sizes 08-12

## TA Taper Bushing

Style No. 1 — Thin-Wall Bushing



Style No. 2 — Thick-Wall Bushing



### Dimensions (in)

Drive Size	A	B	C Minimum Shaft Engagement	Bushing Size	Part Number ①	Style No.	Driven Shaft Keyway Min Key Length ②	Wt (lb)
08UB	1.24	4.25	6.11	BU4207J/08UB-1.375	0769095	2	3/16 x 5/32 x 5-3/4	7.6
				BU4207J/08UB-1.438	0769096	2	3/8 x 3/16 x 5-3/4	7.3
				BU4207J/08UB-1.500	0769097	2	3/8 x 3/16 x 5-3/4	7.1
				BU4207J/08UB-1.625	0765848	2	3/8 x 3/16 x 5-3/4	6.7
				BU4207J/08UB-1.688	0769098	2	3/8 x 3/16 x 5-1/4	6.4
				BU4207J/08UB-1.750	0769099	2	3/8 x 3/16 x 5-1/4	6.1
				BU4207J/08UB-1.875	0769100	2	1/2 x 1/4 x 3-1/2	5.6
				BU4207J/08UB-1.938	0769101	1	1/2 x 1/4 x 4-1/4	5.3
				BU4207J/08UB-2.000	0769102	1	1/2 x 1/4 x 4-1/4	5.0
				BU4207J/08UB-2.188	0769103	1	1/2 x 1/4 x 4-1/4	4.4
				BU4207J/08UB-2.250	0769104	1	1/2 x 1/4 x 4-1/4	3.7
				BU4207J/08UB-2.375	2113886	1	5/8 x 5/16 x 4-1/4	3.0
				BU4207J/08UB-2.438	0769105	1	5/8 x 5/16 x 4-1/4	2.6
09UB	2.09	3.50	7.08	BU4215J/09UB-1.938	0769137	2	1/2 x 1/4 x 5	11.4
				BU4215J/09UB-2.000	0769138	2	1/2 x 1/4 x 4-3/4	11.1
				BU4215J/09UB-2.188	0769139	2	1/2 x 1/4 x 4-1/2	9.9
				BU4215J/09UB-2.250	0769140	2	1/2 x 1/4 x 4-1/4	9.5
				BU4215J/09UB-2.438	0769141	1	5/8 x 5/16 x 3-1/2	8.3
				BU4215J/09UB-2.500	0769142	1	5/8 x 5/16 x 3-1/2	7.8
				BU4215J/09UB-2.688	0769143	1	5/8 x 5/16 x 3-1/2	6.5
				BU4215J/09UB-2.750	2116065	1	5/8 x 5/16 x 3-1/2	5.5
				BU4215J/09UB-2.938	0769144	1	3/4 x 3/8 x 3-1/2	4.5
				BU4307/10UB-2.000	0769155	2	1/2 x 1/4 x 7	17.8
10UB	1.59	5.00	7.39	BU4307/10UB-2.188	0769156	2	1/2 x 1/4 x 7	16.6
				BU4307/10UB-2.250	0769157	2	1/2 x 1/4 x 7	16.2
				BU4307/10UB-2.438	0769158	2	5/8 x 5/16 x 5-1/2	14.9
				BU4307/10UB-2.500	0769159	2	5/8 x 5/16 x 5	14.4
				BU4307/10UB-2.688	0769160	1	5/8 x 5/16 x 5	13.0
				BU4307/10UB-2.938	0769161	1	3/4 x 3/8 x 5	10.9
				BU4307/10UB-3.000	0769162	1	3/4 x 3/8 x 5	10.3
				BU4307/10UB-3.188	0769163	1	3/4 x 3/8 x 5	8.6
				BU4307/10UB-3.438	0769164	1	7/8 x 7/16 x 5	6.1
12UB	1.88	5.00	7.92	BU4315/12UB-2.438	0785778	2	5/8 x 5/16 x 7-1/2	23.6
				BU4315/12UB-2.500	0785779	2	5/8 x 5/16 x 7-1/2	23.1
				BU4315/12UB-2.688	0785780	2	5/8 x 5/16 x 7-1/2	21.6
				BU4315/12UB-2.938	0785781	2	3/4 x 3/8 x 5-1/2	19.4
				BU4315/12UB-3.000	0785782	2	3/4 x 3/8 x 5-1/2	18.8
				BU4315/12UB-3.438	0785783	1	7/8 x 7/16 x 5	14.3
				BU4315/12UB-3.938	0785784	1	1 x 1/2 x 5	8.4

① Consists of bushing, drive key, nut, retaining ring and setscrew.

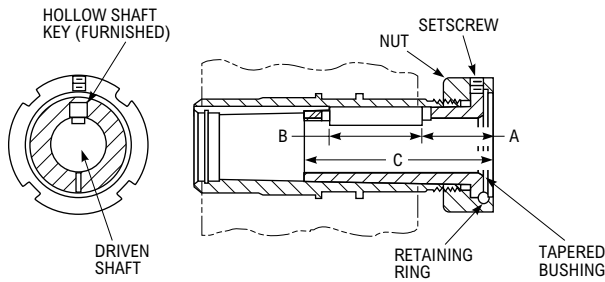
② Check strength of driven shaft and unfurnished key.

# UB — Helical Bevel Gearmotor and Gear Drive/TA Taper Bushing

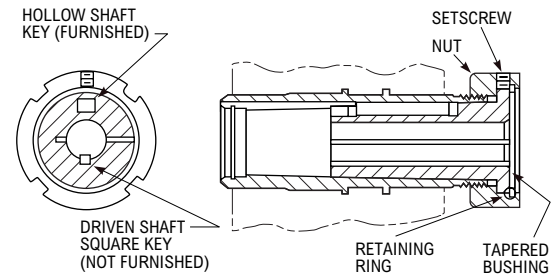
Sizes 05-12

## TA Taper Bushing

Style No. 1 — Thin-Wall Bushing



Style No. 2 — Thick-Wall Bushing



### Dimensions (mm)

Drive Size	A	B	C Minimum Shaft Engagement	Bushing Size	Part Number ①	Style No.	Driven Shaft Keyway Min Key Length ②	Wt (kg)
05UB	48	64	127	BU4107J/04UB-25	0775900	2	8 x 4 x 70	1.0
				BU4107J/04UB-30	0775901	2	8 x 4 x 56	0.8
				BU4107J/04UB-32	0775902	1	10 x 5 x 74	0.7
				BU4107J/04UB-35	0775768	1	10 x 5 x 74	0.6
06UB	53	70	141	BU4115J/06UB-30	0775903	2	8 x 4 x 110	2.0
				BU4115J/06UB-32	0775904	2	10 x 5 x 110	2.0
				BU4115J/06UB-35	0775905	2	10 x 5 x 100	1.7
				BU4115J/06UB-38	0775906	2	10 x 5 x 90	1.5
				BU4115J/06UB-40	0775907	1	12 x 5 x 82	1.5
				BU4115J/06UB-42	0775908	1	12 x 5 x 82	1.3
				BU4115J/06UB-45	0775909	1	14 x 5.5 x 84	1.0
				BU4203J/07UB-35	0775910	2	10 x 5 x 140	2.4
07UB	40	83	141	BU4203J/07UB-38	0775911	2	10 x 5 x 125	2.2
				BU4203J/07UB-40	0775912	2	12 x 5 x 125	2.0
				BU4203J/07UB-42	0775913	2	12 x 5 x 125	1.9
				BU4203J/07UB-45	0775914	2	14 x 5.5 x 100	1.4
				BU4203J/07UB-50	0775432	1	14 x 5.5 x 97	1.4
				BU4203J/07UB-55	0775915	1	16 x 6 x 99	1.0
				BU4207J/08UB-40	0775916	2	12 x 5 x 160	3.0
				BU4207J/08UB-42	0775917	2	12 x 5 x 160	3.0
08UB	32	108	155	BU4207J/08UB-45	0775918	2	14 x 5.5 x 160	2.8
				BU4207J/08UB-50	0775919	1	14 x 5.5 x 122	2.4
				BU4207J/08UB-55	0775920	1	16 x 6 x 124	2.0
				BU4207J/08UB-60	0775921	1	18 x 7 x 126	1.4
				BU4215J/09UB-50	0775922	2	14 x 5.5 x 180	5.0
				BU4215J/09UB-55	0775923	2	16 x 6 x 180	4.6
				BU4215J/09UB-60	0775924	2	18 x 7 x 180	4.6
				BU4215J/09UB-65	0775925	1	18 x 7 x 107	3.4
09UB	53	89	180	BU4215J/09UB-70	0775926	1	20 x 7.5 x 109	2.7
				BU4215J/09UB-75	6720645	1	20 x 7.5 x 107	2.7
				BU4307J/10UB-60	0775927	2	18 x 7.0 x 180	7.0
				BU4307J/10UB-65	0775928	2	18 x 7.0 x 180	6.4
				BU4307J/10UB-70	0775779	1	20 x 7.7 x 147	5.7
				BU4307J/10UB-75	0775929	1	20 x 7.7 x 147	5.0
				BU4307J/10UB-80	0775433	1	22 x 9.0 x 149	5.0
				BU4307J/10UB-85	0775930	1	22 x 9.0 x 149	3.3
10UB	40	127	188	BU4315J/12UB-70	0775931	2	20 x 7.5 x 200	10.0
				BU4315J/12UB-75	0775794	2	20 x 7.5 x 200	9.0
				BU4315J/12UB-80	0775932	2	22 x 9.0 x 200	8.0
				BU4315J/12UB-85	0775820	1	22 x 9.0 x 149	7.0
				BU4315J/12UB-90	0775933	1	25 x 9.0 x 152	6.0
				BU4315J/12UB-95	0775934	1	25 x 9.0 x 152	5.0
				BU4315J/12UB-100	0775935	1	28 x 10 x 155	4.0

① Consists of bushing, drive key, nut, retaining ring and setscrew.

② Check strength of driven shaft and unfurnished key.

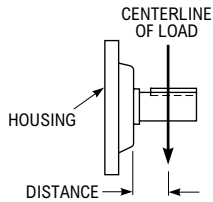
## UB — Overhung Loads

### High-Speed and Low-Speed Shaft

Overhung load is imposed upon a shaft when a pinion, sprocket or sheave is used as a power take-off. The magnitude of the load varies with the type of take-off and its proximity to the shaft bearing. Calculate the load and check the result against the tabulated overhung load rating.

#### Overhung Load Formula:

$$\text{Overhung Load} = \frac{126,000 \times \text{HP} \times F_c \times L_f}{\text{pitch diameter} \times \text{RPM}}$$



#### $F_c$ = Load Connection Factor

Sprocket or Timing Belt .....	1.00
Machined Pinion & Gear .....	1.25
V-Belt .....	1.50
Flat Belt .....	2.50

#### $L_f$ = Load Location Factor

For overhung loads applied at the midpoint of the usable shaft extension,  $L_f = 1.00$

**Locate the centerline of the load** as practical to minimize the overhung load and increase bearing life. The above overhung load formula employs the transmitted horsepower, without Service Factor, providing the overloads, starting loads and brake capacities do not exceed the amounts listed in Basic Information on **page 4**.

**Consult Factory for Higher Overhung Load Ratings** — In many cases, overhung load capacity in excess of that published is available. Published ratings are based on a combination of the most unfavorable conditions of rotation, speed, direction of applied load and drive loading. If the actual load should exceed the published capacity, refer full details to Factory; provide complete application information, as well as direction of rotation, location and direction of applied load.

#### Usable Shaft Extension Midpoint

Drive Size	No. of Reductions	HSS A (in)	LSS B (in)
03	3	0.79	0.93
03	5	0.79	0.93
04	3	0.79	1.10
04	5	0.79	1.10
05	3	0.79	1.30
05	5	0.79	1.30
06	3	0.79	1.50
06	5	0.79	1.50
07	3	0.98	1.87
07	5	0.79	1.87
08	3	1.18	1.97
08	5	0.79	1.97
09	3	1.57	2.17
09	5	0.79	2.17
10	3	2.17	2.75
10	5	0.98	2.75
12	3	2.17	3.54
12	5	0.98	3.54

**Gearmotor Overhung Load Capacity** — The overhung load capacity at the low-speed shaft is found in the Gearmotor Selection Tables on **pages 17-40**.

**Gear Drive Overhung Load Capacity** — The overhung load capacity at the high-speed shaft and low-speed shaft are found on **page 49**.

#### EXAMPLE:

Gear Drive Size = 08UBA3A40.N\_, exact ratio of 40.92:1 (with single-ended output shaft).

Motor = 7-1/2 hp at 1750 rpm.

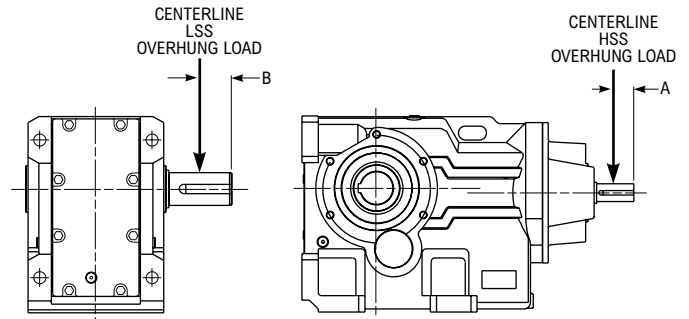
Low-speed shaft rpm =  $1750 \div 40.92 = 42.77$  rpm.

20" diameter sprocket mounted on low-speed shaft. Centerline of sprocket overhung load is positioned at  $B = 1.845$  inches.

Calculate the overhung load as follows:

$$\text{OHL} = \frac{126,000 \times 7.50 \times 1.00 \times 1.00}{20 \times 42.77} = 1105 \text{ lb}$$

Allowable OHL on **page 49** is 1390 lb and is satisfactory for this selection.





## UB — Gear Drive HSS Overhung Load Ratings

### Triple & Quintuple Reductions (lb)

Consult Factory for higher overhung load ratings

Reduction	Ratop	Drive Size ①								
		03	04	05	06	07	08	09	10	12
Triple	All Ratios	315	325	270	230	450	670	760	975	2600
Quintuple	All Ratios	315	315	325	325	325	325	325	365	365

## UB — Gearmotor & Gear Drive LSS Overhung Load Ratings

### Triple & Quintuple Reductions (lb)

Consult Factory for higher overhung load ratings

Approx L.S. Shaft RPM	Drive Size								
	03	04	05	06	07	08	09	10	12
220	630	772	556	855	1125	1190	5535	7200	12150
145	720	878	619	889	1125	1190	5749	7200	12150
80	844	1035	738	1091	1301	1190	6445	8650	12150
50	1035	1249	900	1395	1553	1440	7650	9700	13793
30	1200	1350	1215	1800	1913	1845	7650	9700	13793
15 & Under ②	1350	1350	1688	1800	3375	3389	7650	9700	13793

## UB — Gearmotor & Gear Drive LSS Thrust Loads

### Triple & Quintuple Reductions (lb)

#### Axial Thrust Capacities/Inward or Outward

Thrust capacities tabulated refer to output shafts, and are calculated without any overhung loads being applied. In cases where combined axial thrusts and overhung loads are to be applied, refer to the Factory.

Approx L.S. Shaft RPM	Drive Size ③								
	03	04	05	06	07	08	09	10	12
220	1078	1553	1287	1856	2835	2311	7520	9630	13840
145	1078	1553	1575	2196	2655	2295	7520	9630	13840
80	1078	1553	1755	2295	2948	2448	7520	9630	13840
50	1078	1553	1755	2295	3128	3357	7520	9630	13840
30	1078	1553	1755	2295	3353	3870	7520	9630	13840
15 & Under ‡	1078	1553	1755	2295	3555	3870	7520	9630	13840

① Published ratings are based on a combination of the most unfavorable conditions of loading. For higher ratings, refer full data to the Factory.

② For higher ratio selections, consult the Factory. Check thermal input hp ratings. Selection tables are based on mechanical input hp ratings only.

③ The last thrust capacity in each Drive Size column applies to all lower output speeds for that drive.

## UB — Gearmotor & Gear Drive Moments of Inertia

### Triple Reduction

WR<sup>2</sup> (lb-in<sup>2</sup>) Referred to H.S. Shaft ①

Ratio	Drive Size								
	03	04	05	06	07	08	09	10	12
8.0	0.68	1.71	4.29	4.77	10.55	29.56	81.90	—	—
10.	—	—	—	—	—	—	81.06	178.93	414.74
11.	0.49	1.10	2.87	2.93	6.50	18.35	52.73	112.11	251.40
12.	0.43	0.98	2.54	2.52	5.56	16.05	45.77	99.67	217.31
14.	0.39	0.85	2.25	2.18	4.99	14.07	52.29	109.59	244.60
16.	—	—	—	—	—	—	45.42	97.54	211.68
18.	0.32	0.65	1.80	1.66	3.57	10.44	30.61	59.69	132.46
20.	0.31	0.57	1.61	1.46	3.11	9.20	26.73	53.29	115.33
22.	—	—	—	—	—	—	30.44	58.72	129.60
25.	0.27	0.48	1.40	1.24	2.59	7.45	26.60	52.45	113.0
28.	0.25	0.43	1.25	1.11	2.34	6.50	19.69	35.09	76.11
32.	0.23	0.39	1.13	0.99	2.02	5.74	17.53	30.31	62.49
36.	0.22	0.36	1.09	0.96	1.94	5.72	19.62	34.70	74.99
40.	0.21	0.33	1.02	0.90	1.66	4.82	17.48	30.00	61.61
45.	0.20	0.29	0.91	0.81	1.51	4.39	13.37	22.86	48.05
50.	0.19	0.28	0.88	0.79	1.37	3.99	12.26	20.51	41.91
56.	—	—	—	—	—	—	13.35	22.70	47.62
63.	0.18	0.24	0.80	0.73	1.25	3.43	12.24	20.38	41.57
71.	0.17	0.22	0.75	0.69	1.15	3.12	10.05	15.68	34.89
80.	0.17	0.21	0.72	0.67	1.10	2.99	9.54	14.33	32.81
90.	—	—	—	—	—	—	10.04	15.62	34.72
100	0.17	0.20	0.68	0.64	1.01	2.71	9.53	14.28	32.67
112	0.16	0.19	0.67	0.64	0.99	2.62	8.43	12.79	28.00
125	0.16	0.18	0.65	0.63	0.96	2.56	8.23	12.18	26.96
140	—	—	—	—	—	—	8.42	12.76	27.93
160	—	—	—	—	—	—	8.23	12.16	26.90

### Quintuple Reduction

WR<sup>2</sup> (lb-in<sup>2</sup>) Referred to H.S. Shaft ①

Ratio	Drive Size								
	03	04	05	06	07	08	09	10	12
125	0.28	0.36	0.89	0.88	0.96	3.39	—	—	—
140	0.25	0.36	0.59	0.58	0.64	3.32	—	—	—
160	0.24	0.35	0.53	0.52	0.57	3.29	3.99	7.95	9.81
200	0.21	0.28	0.45	0.45	0.47	2.20	2.53	5.15	5.88
250	0.20	0.24	0.35	0.35	0.37	1.72	2.20	4.49	6.12
280	0.19	0.25	0.32	0.32	0.33	1.39	2.17	4.11	5.07
320	0.18	0.20	0.28	0.28	0.33	1.37	1.90	4.05	4.59
360	0.17	0.20	0.26	0.26	0.29	1.24	1.50	3.06	3.43
400	0.17	0.19	0.24	0.24	0.26	1.09	1.49	3.03	3.00
450	0.17	0.19	0.23	0.23	0.24	0.99	1.32	2.68	2.93
500	0.17	0.18	0.22	0.21	0.22	0.99	1.16	2.32	2.52
560	0.16	0.17	0.20	0.20	0.20	0.91	1.04	2.13	2.29
630	0.16	0.17	0.19	0.19	0.20	0.84	0.95	1.86	1.98
700	0.16	0.17	0.19	0.19	0.20	0.77	0.94	1.84	1.95
800	0.16	0.17	0.19	0.19	0.20	0.75	0.95	1.85	1.98
900	0.16	0.17	0.17	0.17	0.17	0.75	0.86	1.55	1.62
10C	0.16	0.16	0.17	0.17	0.17	0.70	0.79	1.56	1.63
11C	0.16	0.16	0.17	0.17	0.17	0.70	0.79	1.31	1.62
12C	0.16	0.16	0.18	0.18	0.18	0.70	0.77	1.31	1.35
14C	0.15	0.16	0.17	0.17	0.17	0.67	0.71	1.21	1.25
16C	0.15	0.16	0.17	0.17	0.17	0.67	0.71	1.21	1.24
18C	0.15	0.16	0.17	0.17	0.17	0.66	0.68	1.12	1.15
20C	0.15	0.15	0.17	0.17	0.17	0.67	0.68	1.12	1.14
22C	0.15	0.15	0.17	0.17	0.17	0.66	0.66	1.08	1.10
25C	0.15	0.15	0.16	0.16	0.16	0.63	0.64	1.00	1.01
28C	0.15	0.15	0.17	0.17	0.17	0.66	0.68	1.12	1.14
32C	0.15	0.15	0.16	0.16	0.16	0.63	0.66	1.08	1.09
36C	0.15	0.15	0.16	0.16	0.16	0.63	0.64	1.00	1.01
40C	0.15	0.15	0.16	0.16	0.16	0.63	0.64	1.00	1.01
45C	0.15	0.15	0.16	0.16	0.16	0.63	0.63	0.98	0.99
50C	0.15	0.15	0.16	0.16	0.16	0.63	0.62	0.95	1.01
56C	0.15	0.15	0.16	0.16	0.16	0.62	0.63	0.98	0.99
63C	0.15	0.15	0.16	0.16	0.16	0.62	0.63	0.98	0.99
71C	0.15	0.15	0.16	0.16	0.16	0.62	0.63	0.95	0.99

① Values shown in the tables are referred to the drive high-speed shaft. The WR<sup>2</sup> referred to the hollow (low-speed) shaft equals the exact total ratio squared times the H.S. shaft WR<sup>2</sup>.

# UB — Gear Drive Horsepower and Torque Ratings

## 3500 High-Speed Shaft RPM/Triple Reduction (Torque Is in Pound-Inches at Low-Speed Shaft)

Ratio Code	Approx L.S. Shaft RPM	Horsepower										Torque									
		Drive Size										Drive Size									
		03	04	05	06	07	08	09	10	12	03	04	05	06	07	08	09	10	12		
8.0	438	6.88	13.0	19.5	28.0	42.3	65.7	127	—	—	986	1800	2700	3840	6220	9100	17400	—	—		
10.	350	—	—	—	—	—	—	127	239	304	—	—	—	—	—	—	21000	40900	53600		
11.	318	5.91	11.0	16.2	23.6	39.5	65.7	107	202	304	1150	2140	3180	4550	8090	13000	20300	40300	62000		
12.	292	5.42	10.4	15.2	22.2	37.1	65.7	100	193	303	1200	2240	3350	4800	8550	14500	21400	41900	68000		
14.	250	5.01	9.66	14.3	20.8	35.4	62.9	107	202	304	1260	2360	3520	5060	8950	15400	24400	48400	74600		
16.	219	—	—	—	—	—	—	100	193	303	—	—	—	—	—	—	25700	50300	81800		
18.	194	4.23	8.22	12.3	18.0	30.3	54.0	80.9	154	249	1360	2550	3870	5580	10000	17100	24900	49500	78700		
20.	175	4.02	7.53	11.3	16.5	28.0	49.4	75.6	147	235	1390	2660	4010	5800	1060	17600	26000	51000	82000		
22.	159	—	—	—	—	—	—	80.9	154	249	—	—	—	—	—	—	30000	59500	94600		
25.	140	3.40	6.53	9.91	14.6	24.5	41.8	75.6	147	235	1490	2830	4220	6110	11200	18300	31300	61300	98600		
28.	125	3.11	6.06	8.94	13.2	22.9	38.0	61.4	116	190	1540	2910	4380	6360	11500	18700	29400	58900	95400		
32.	109	2.84	5.52	7.99	11.8	20.6	33.6	55.8	108	171	1610	3010	4560	6630	11900	19200	30500	61700	97500		
36.	97	2.64	5.18	7.51	11.0	19.1	30.9	58.7	106	180	1650	3210	4790	6890	12500	19600	33700	64200	108999		
40.	88	2.44	4.69	6.97	10.4	17.4	28.7	52.7	93.4	159	1690	3200	4740	6930	12600	19900	34600	64200	108999		
45.	78	2.27	4.22	6.12	9.09	15.7	26.0	42.2	81.8	132	1730	3310	4930	7200	13000	20400	32600	64200	106999		
50.	70	2.01	3.96	5.82	8.65	14.2	23.5	38.7	73.7	117	1800	3380	5010	7310	13300	20900	33300	64200	106999		
56.	63	—	—	—	—	—	—	39.7	68.2	112	—	—	—	—	—	—	37000	64200	108999		
63.	56	1.75	3.44	4.92	6.98	12.7	20.2	36.1	61.4	99.5	1870	3520	5260	7310	13800	21700	37300	64200	108999		
71.	49	1.56	2.99	4.33	5.92	11.1	18.1	27.6	51.7	83.4	1940	3660	5450	7310	14400	22700	33400	64200	106999		
80.	44	1.43	2.73	4.04	5.41	10.4	17.0	24.9	44.9	75.0	1980	3760	5560	7320	14700	23400	33400	64200	106999		
90.	39	—	—	—	—	—	—	25.6	43.0	70.6	—	—	—	—	—	—	37300	64200	108999		
100	35	0.98	2.22	3.44	4.43	8.76	14.2	23.2	37.4	63.5	1640	3570	5800	7320	14900	23900	37300	64200	108999		
112	31	0.74	2.00	3.11	3.97	7.37	13.0	18.2	33.3	54.6	1410	3640	5830	7320	14400	23900	33400	64200	106999		
125	28	0.64	1.89	2.56	2.56	5.65	11.3	16.2	31.0	51.3	1380	3910	5370	5260	12200	23900	33400	64200	106999		
140	25	—	—	—	—	—	—	16.9	27.7	46.3	—	—	—	—	—	—	37300	64200	108999		
160	22	—	—	—	—	—	—	15.0	25.8	43.5	—	—	—	—	—	—	37300	64200	108999		

Ⓢ Input mechanical hp rating exceeds thermal hp capacity. See thermal hp capacity on **page 55**. When selecting gear drives by hp method, check required hp (without service factor) against the thermal hp ratings on **page 55**. When selecting gear drives by torque method, convert required torque (without service factor) to hp and check against the thermal hp ratings on **page 55**.

## 3500 High-Speed Shaft RPM/Quintuple Reduction (Torque Is in Pound-Inches at Low-Speed Shaft)

Ratio Code	Approx L.S. Shaft RPM	Horsepower										Torque									
		Drive Size										Drive Size									
		03	04	05	06	07	08	09	10	12	03	04	05	06	07	08	09	10	12		
125	28	0.911	1.694	2.88	3.67	6.88	10.61	—	—	—	1991	3894	5841	7301	14160	23984	—	—	—		
140	25	0.801	1.538	2.39	3.05	6.20	9.69	—	—	—	1991	3894	5841	7301	14160	23984	—	—	—		
160	22	0.707	1.337	2.17	2.76	5.63	8.57	13.21	22.48	36.36	1991	3894	5841	7301	14160	23984	36374	64163	107085		
200	18	0.553	1.139	1.64	2.09	3.92	6.16	9.40	16.23	23.29	1991	3894	5841	7301	14160	21417	36374	64163	107085		
250	14	0.513	0.884	1.29	1.65	3.55	5.48	8.38	14.45	26.25	1991	3894	5841	7301	14160	23984	36374	64163	107085		
280	13	0.406	0.801	1.14	1.45	3.12	4.72	7.55	13.14	20.73	1991	3894	5841	7301	14160	23984	36374	64163	107085		
320	11	0.358	0.706	1.08	1.37	2.72	4.31	6.72	11.82	18.86	1991	3894	5841	7301	14160	23984	36374	64163	107085		
360	9.7	0.314	0.641	0.97	1.24	2.21	3.81	5.88	10.06	16.27	1991	3894	5841	7301	14160	23984	36374	64163	107085		
400	8.7	0.282	0.559	0.86	1.09	2.06	3.49	5.29	9.05	14.31	1991	3894	5841	7301	14603	23984	36374	64163	107085		
450	7.7	0.256	0.508	0.75	0.96	1.83	3.03	4.67	7.96	12.70	1991	3894	5841	7301	14603	23984	36374	64163	107085		
500	7.0	0.226	0.448	0.68	0.87	1.66	2.77	4.35	7.29	11.79	1991	3894	5841	7301	14603	23984	36374	64163	107085		
560	6.2	0.205	0.392	0.60	0.76	1.45	2.61	3.78	6.62	10.71	1991	3894	5841	7301	14603	23984	36374	64163	107085		
630	5.5	0.179	0.352	0.55	0.70	1.33	2.19	3.25	5.76	9.32	1991	3894	5841	7301	14603	23984	36374	64163	107085		
700	5.0	0.165	0.320	0.47	0.60	1.16	1.85	2.92	5.19	8.27	1991	3894	5841	7301	14603	23984	36374	64163	107085		
800	4.3	0.146	0.282	0.42	0.54	1.02	1.73	2.82	4.79	7.87	1991	3894	5841	7301	14603	23984	38055	64163	108855		
900	3.8	0.128	0.256	0.38	0.48	0.92	1.58	2.37	4.15	6.61	1991	3894	5841	7301	14603	23984	38055	64163	107085		
10C	3.5	0.115	0.228	0.33	0.42	0.80	1.39	2.07	3.83	6.29	1991	3894	5841	7301	14603	23984	36374	64163	108855		
11C	3.1	0.104	0.207	0.29	0.37	0.71	1.27	2.00	3.20	5.58	1991	3894	5841	7301	14603	23984	38055	64163	108855		
12C	2.9	0.098	0.180	0.28	0.35	0.67	1.12	1.87	2.96	5.11	1991	3894	5841	7301	14603	23984	38055	64163	108855		
14C	2.5	0.082	0.160	0.23	0.29	0.56	0.95	1.51	2.55	4.19	1991	3894	5841	7301	14603	23984	38055	64163	108855		
16C	2.1	0.074	0.142	0.22	0.28	0.50	0.85	1.36	2.30	3.72	1991	3894	5841	7301	14603	23984	38055	64163	108855		
18C	1.9	0.065	0.128	0.19	0.24	0.44	0.77	1.28	2.14	3.51	1991	3894	5841	7301	14603	23984	38055	64163	108855		
20C	1.7	0.058	0.115	0.17	0.22	0.43	0.70	1.15	1.92	3.12	1991	3894	5841	7301	14603	23984	38055	64163	108855		
22C	1.5	0.052	0.100	0.155	0.20	0.38	0.64	1.05	1.76	2.85	1991	3894	5841	7301	14603	23984	38055	64163	108855		
25C	1.4	0.045	0.092	0.133	0.17	0.33	0.52	0.86	1.46	2.37	1991	3894	5841	7301	14603	23984	38055	64163	108855		
28C	1.2	0.043	0.081	0.120	0.153	0.29	0.50	0.81	1.35	2.20	1991	3894	5841	7301	14603	23984	38055	64163	108855		
32C	1.0	0.038	0.068	0.103	0.131	0.25	0.45	0.74	1.23	2.01	1991	3894	5841	7301	14603	23984	38055	64163	108855		
36C	0.97	0.033	0.064	0.091	0.116	0.22	0.36	0.61	1.03	1.68	1991	3894	5841	7301	14603	23984	38055	64163	108855		
40C	0.88	0.029	0.057	0.084	0.107	0.21	0.33	0.55	0.89	1.51	1991	3894	5841	7301	14603	23984	38055	64163	108855		
45C	0.78	0.026	0.050	0.074	0.094	0.18	0.30	0.49	0.77	1.31	1991	3894	5841	7301	14603	23984	38055	64163	108855		
50C	0.70	0.020	0.049	0.067	0.085	0.16	0.27	0.44	0.70	1.23	1655	3894	5841	7301	14603	23984	38055	64163	108855		
56C	0.63	0.018	0.043	0.035	0.083	0.16	0.26	0.37	0.64	1.06	1655	3894	5841	7301	14603	23984	36374	64163	108855		
63C	0.56	0.013	0.038	0.059	0.075	0.140	0.24	0.36	0.57	0.96	1416	3894	5841	7301	14603	23984	38055	64163	108855		
71C	0.49	0.011	0.033	0.048	0.049	0.104	0.21	0.32	0.52	0.90	1398	3894	5354	5354	12036	23984	38055	64163	108855		

# UB — Gear Drive Horsepower and Torque Ratings

## 1750 High-Speed Shaft RPM/Triple Reduction (Torque Is in Pound-Inches at Low-Speed Shaft)

Ratio Code	Approx L.S. Shaft RPM	Horsepower										Torque							
		Drive Size										Drive Size							
		03	04	05	06	07	08	09	10	12	03	04	05	06	07	08	09	10	12
8.0	219	4.05	7.83	11.9	17.2	21.2	32.9	77.6	—	—	1170	2180	3340	4740	6270	9180	21500	—	—
10.	175	—	—	—	—	—	—	77.6	127	152	—	—	—	—	—	—	25900	43500	53800
11.	159	3.38	6.40	9.66	14.1	21.2	32.9	65.5	124	152	1320	2510	3820	5460	8710	13100	25000	49600	62100
12.	146	3.10	6.01	8.96	13.1	21.2	32.9	61.5	119	152	1380	2600	3970	5700	9800	14500	26300	51600	68300
14.	125	2.87	5.53	8.29	12.1	21.0	32.9	65.5	124	152	1450	2710	4130	5930	10700	16200	30100	59700	74700
16.	109	—	—	—	—	—	—	61.5	119	152	—	—	—	—	—	—	31700	62000	82100
18.	97	2.44	4.72	7.02	10.3	17.5	30.8	48.4	94.3	152	1580	2940	4440	6410	11600	19600	30000	60700	96000
20.	88	2.32	4.32	6.40	9.41	15.9	28.0	44.4	88.9	144	1610	3060	4590	6630	12000	20000	30700	61800	100999
22.	80	—	—	—	—	—	—	47.5	83.0	143	—	—	—	—	—	—	35400	64200	108999
25.	70	1.96	3.74	5.62	8.30	13.8	23.7	43.4	76.9	129	1720	3250	4810	6980	12700	20800	36200	64200	108999
28.	63	1.79	3.46	5.07	7.49	12.9	21.6	34.3	63.3	106	1780	3340	4990	7250	13000	21300	33000	64200	106999
32.	55	1.62	3.15	4.52	6.50	11.6	19.2	30.5	55.9	93.9	1840	3450	5180	7310	13500	22100	33400	64200	106999
36.	49	1.50	2.95	4.25	5.82	10.8	17.9	32.3	52.7	90.1	1890	3660	5450	7310	14200	22800	37300	64200	108999
40.	44	1.39	2.67	3.96	5.46	9.84	16.8	28.3	46.6	79.6	1930	3650	5410	7320	14300	23400	37300	64200	108999
45.	39	1.29	2.40	3.48	4.61	8.91	15.1	21.5	40.8	66.1	1980	3780	5630	7320	14800	23900	33400	64200	106999
50.	35	1.11	2.25	3.31	4.32	7.91	13.4	19.4	36.8	58.6	1990	3850	5710	7320	14900	23900	33400	64200	106999
56.	31	—	—	—	—	—	—	20.0	34.0	56.0	—	—	—	—	—	—	37300	64200	108999
63.	28	0.927	1.91	2.72	3.48	6.83	11.1	18.0	30.6	49.6	1990	3910	5830	7320	14900	23900	33400	64200	108999
71.	25	0.796	1.56	2.31	2.96	5.73	9.51	13.8	25.8	41.7	1990	3820	5830	7320	14900	23900	33400	64200	106999
80.	22	0.717	1.39	2.11	2.70	5.24	8.66	12.4	22.4	37.5	1990	3840	5830	7320	14900	23900	33400	64200	106999
90.	19	—	—	—	—	—	—	12.8	21.5	35.3	—	—	—	—	—	—	37300	64200	108999
100	18	0.492	1.11	1.73	2.21	4.37	7.07	11.6	18.7	31.7	1640	3570	5830	7320	14900	23900	33400	64200	108999
112	16	0.369	1.00	1.55	1.98	3.69	6.48	9.07	16.6	27.3	1410	3650	5830	7320	14400	23900	33400	64200	106999
125	14	0.320	0.944	1.28	1.28	2.83	5.65	8.09	15.5	25.6	1390	3910	5380	5270	12200	23900	33400	64200	106999
140	13	—	—	—	—	—	—	8.42	13.8	23.1	—	—	—	—	—	—	37300	64200	108999
160	11	—	—	—	—	—	—	7.51	12.9	21.7	—	—	—	—	—	—	37300	64200	108999

Ⓢ Input mechanical hp rating exceeds thermal hp capacity. See thermal hp capacity on **page 55**. When selecting gear drives by hp method, check required hp (without service factor) against the thermal hp ratings on **page 55**. When selecting gear drives by torque method, convert required torque (without service factor) to hp and check against the thermal hp ratings on **page 55**.

## 1750 High-Speed Shaft RPM/Quintuple Reduction (Torque Is in Pound-Inches at Low-Speed Shaft)

Ratio Code	Approx L.S. Shaft RPM	Horsepower										Torque							
		Drive Size										Drive Size							
		03	04	05	06	07	08	09	10	12	03	04	05	06	07	08	09	10	12
125	14	0.455	0.847	1.44	1.84	3.44	5.30	—	—	—	1991	3894	5841	7301	14160	23984	—	—	—
140	13	0.400	0.769	1.20	1.52	3.10	4.85	—	—	—	1991	3894	5841	7301	14160	23984	—	—	—
160	11	0.353	0.669	1.09	1.38	2.81	4.28	6.61	11.24	18.18	1991	3894	5841	7301	14160	23984	36374	64163	107085
200	8.7	0.276	0.569	0.82	1.05	1.96	3.08	4.70	8.11	11.64	1991	3894	5841	7301	14160	21417	36374	64163	107085
250	7.0	0.256	0.442	0.65	0.82	1.77	2.74	4.19	7.22	13.13	1991	3894	5841	7301	14160	23984	36374	64163	107085
280	6.2	0.203	0.400	0.57	0.73	1.56	2.36	3.77	6.57	10.37	1991	3894	5841	7301	14160	23984	36374	64163	107085
320	5.4	0.179	0.353	0.54	0.69	1.36	2.16	3.36	5.91	9.43	1991	3894	5841	7301	14160	23984	36374	64163	107085
360	4.8	0.157	0.321	0.49	0.62	1.11	1.90	2.94	5.03	8.14	1991	3894	5841	7301	14160	23984	36374	64163	107085
400	4.3	0.141	0.280	0.43	0.55	1.03	1.75	2.65	4.53	7.16	1991	3894	5841	7301	14603	23984	36374	64163	107085
450	3.8	0.128	0.254	0.38	0.48	0.92	1.52	2.34	3.98	6.35	1991	3894	5841	7301	14603	23984	36374	64163	107085
500	3.5	0.113	0.224	0.34	0.44	0.83	1.39	2.18	3.64	5.89	1991	3894	5841	7301	14603	23984	36374	64163	107085
560	3.1	0.102	0.196	0.30	0.38	0.72	1.30	1.89	3.31	5.36	1991	3894	5841	7301	14603	23984	36374	64163	107085
630	2.7	0.090	0.176	0.27	0.35	0.67	1.09	1.62	2.88	4.66	1991	3894	5841	7301	14603	23984	36374	64163	107085
700	2.5	0.083	0.160	0.24	0.30	0.58	0.92	1.46	2.59	4.14	1991	3894	5841	7301	14603	23984	36374	64163	107085
800	2.1	0.073	0.141	0.21	0.27	0.51	0.86	1.41	2.39	3.93	1991	3894	5841	7301	14603	23984	38055	64163	108855
900	1.9	0.064	0.128	0.19	0.24	0.46	0.79	1.18	2.07	3.31	1991	3894	5841	7301	14603	23984	38055	64163	107085
10C	1.7	0.057	0.114	0.16	0.21	0.40	0.70	1.03	1.91	3.15	1991	3894	5841	7301	14603	23984	36374	64163	108855
11C	1.5	0.052	0.103	0.146	0.19	0.35	0.64	1.00	1.60	2.79	1991	3894	5841	7301	14603	23984	38055	64163	108855
12C	1.4	0.049	0.090	0.139	0.18	0.34	0.56	0.93	1.48	2.55	1991	3894	5841	7301	14603	23984	38055	64163	108855
14C	1.2	0.041	0.080	0.116	0.147	0.28	0.48	0.75	1.28	2.10	1991	3894	5841	7301	14603	23984	38055	64163	108855
16C	1.0	0.037	0.071	0.108	0.138	0.25	0.42	0.68	1.15	1.86	1991	3894	5841	7301	14603	23984	38055	64163	108855
18C	0.97	0.032	0.064	0.096	0.122	0.22	0.39	0.64	1.07	1.76	1991	3894	5841	7301	14603	23984	38055	64163	108855
20C	0.88	0.029	0.058	0.087	0.111	0.21	0.35	0.57	0.96	1.56	1991	3894	5841	7301	14603	23984	38055	64163	108855
22C	0.80	0.026	0.050	0.077	0.099	0.19	0.32	0.53	0.88	1.42	1991	3894	5841	7301	14603	23984	38055	64163	108855
25C	0.70	0.023	0.046	0.067	0.085	0.16	0.26	0.43	0.73	1.19	1991	3894	5841	7301	14603	23984	38055	64163	108855
28C	0.63	0.022	0.041	0.060	0.076	0.145	0.25	0.41	0.67	1.10	1991	3894	5841	7301	14603	23984	38055	64163	108855
32C	0.55	0.019	0.034	0.052	0.066	0.125	0.22	0.37	0.62	1.01	1991	3894	5841	7301	14603	23984	38055	64163	108855
36C	0.49	0.017	0.032	0.045	0.058	0.110	0.18	0.30	0.51	0.84	1991	3894	5841	7301	14603	23984	38055	64163	108855
40C	0.44	0.015	0.028	0.042	0.054	0.104	0.17	0.27	0.45	0.75	1991	3894	5841	7301	14603	23984	38055	64163	108855
45C	0.39	0.013	0.025	0.037	0.047	0.092	0.148	0.25	0.39	0.65	1991	3894	5841	7301	14603	23984	38055	64163	108855
50C	0.35	0.010	0.024	0.033	0.042	0.081	0.136	0.22	0.35	0.61	1655	3894	5841	7301	14603	23984	38055	64163	107085
56C	0.31	0.009	0.022	0.033	0.042	0.080	0.132	0.18	0.32	0.53	1655	3894	5841	7301	14603	23984	36374	64163	107085
63C	0.28	0.007	0.019	0.029	0.037	0.070	0.121	0.18	0.29	0.48	1416	3894	5841	7301	14603	23984	38055	64163	108855
71C	0.25	0.006	0.017	0.024	0.024	0.052	0.105	0.16	0.26	0.45	1398	3894	5354	5354	12036	23984	38055	64163	108855

# UB — Gear Drive Horsepower and Torque Ratings

## 1170 High-Speed Shaft RPM/Triple Reduction (Torque Is in Pound-Inches at Low-Speed Shaft)

Ratio Code	Approx L.S. Shaft RPM	Horsepower										Torque									
		Drive Size										Drive Size									
		03	04	05	06	07	08	09	10	12	03	04	05	06	07	08	09	10	12		
8.0	146	2.91	5.63	8.59	12.4	14.0	21.8	58.1	—	—	1270	2380	3650	5180	6290	9210	24400	—	—		
10.	117	—	—	—	—	—	—	58.1	83.9	101	—	—	—	—	—	—	29300	43500	53800		
11.	106	2.45	4.60	6.94	10.1	14.0	21.8	48.2	83.9	101	1450	2730	4150	5940	8730	13100	27900	50700	62200		
12.	98	2.25	4.33	6.41	9.35	14.0	21.8	44.6	83.9	101	1510	2830	4300	6160	9810	14600	28900	55200	68300		
14.	84	2.08	3.98	5.92	8.66	14.0	21.8	48.2	83.9	101	1580	2950	4460	6400	10800	16200	33500	60900	74700		
16.	73	—	—	—	—	—	—	44.6	81.3	101	—	—	—	—	—	—	34700	64200	82100		
18.	65	1.75	3.38	5.01	7.36	12.4	21.8	33.9	66.0	101	1700	3180	4790	6910	12500	21000	31800	64200	96000		
20.	59	1.66	3.09	4.58	6.74	11.3	20.1	31.3	61.1	101	1740	3310	4960	7170	13000	21700	32800	64200	105999		
22.	53	—	—	—	—	—	—	33.1	54.9	94.9	—	—	—	—	—	—	37300	64200	108999		
25.	47	1.40	2.67	4.02	5.76	9.90	17.4	29.6	50.9	85.7	1860	3510	5200	7310	13700	23100	37300	64200	108999		
28.	42	1.28	2.48	3.63	5.01	9.24	16.0	23.0	41.9	70.5	1920	3610	5400	7320	14100	23900	33400	64200	106999		
32.	37	1.16	2.26	3.24	4.31	8.32	13.7	20.2	37.0	62.2	1990	3730	5610	7320	14600	23900	33400	64200	106999		
36.	33	1.05	2.08	3.01	3.85	7.48	12.4	21.4	34.9	59.7	1990	3910	5830	7320	14900	23900	37300	64200	108999		
40.	29	0.947	1.89	2.82	3.61	6.78	11.3	18.7	30.8	52.7	1990	3910	5830	7320	14900	23900	37300	64200	108999		
45.	26	0.861	1.64	2.39	3.05	5.92	10.0	14.3	27.0	43.8	1990	3910	5830	7320	14900	23900	33400	64200	106999		
50.	23	0.735	1.51	2.24	2.86	5.24	8.89	12.8	24.3	38.9	1990	3910	5830	7320	14900	23900	33400	64200	106999		
56.	21	—	—	—	—	—	—	13.2	22.5	37.1	—	—	—	—	—	—	37300	64200	108999		
63.	19	0.614	1.26	1.80	2.31	4.52	7.34	11.9	20.3	32.9	1990	3910	5830	7320	14900	23900	37300	64200	108999		
71.	16	0.527	1.03	1.53	1.96	2.80	6.30	9.11	17.1	27.6	1990	3820	5830	7320	14900	23900	33400	64200	106999		
80.	15	0.475	0.92	1.40	1.79	3.47	5.74	8.25	14.8	24.8	1990	3840	5830	7320	14900	23900	33400	64200	106999		
90.	13	—	—	—	—	—	—	8.45	14.2	23.4	—	—	—	—	—	—	37300	64200	108999		
100	12	0.326	0.762	1.14	1.46	2.90	4.68	7.65	12.4	21.0	1640	3700	5830	7320	14900	23900	37300	64200	108999		
112	10	0.244	0.687	1.03	1.31	2.44	4.29	6.01	11.0	18.1	1410	3780	5830	7320	14400	23900	33400	64200	106999		
125	9.3	0.212	0.626	0.847	0.847	1.87	3.74	5.36	10.3	17.0	1390	3910	5380	5280	12200	23900	33400	64200	106999		
140	8.3	—	—	—	—	—	—	5.58	9.16	15.3	—	—	—	—	—	—	37300	64200	108999		
160	7.3	—	—	—	—	—	—	4.97	8.54	14.4	—	—	—	—	—	—	37300	64200	108999		

Ⓢ Input mechanical hp rating exceeds thermal hp capacity. See thermal hp capacity on **page 55**. When selecting gear drives by hp method, check required hp (without service factor) against the thermal hp ratings on **page 55**. When selecting gear drives by torque method, convert required torque (without service factor) to hp and check against the thermal hp ratings on **page 55**.

## 1170 High-Speed Shaft RPM/Quintuple Reduction (Torque Is in Pound-Inches at Low-Speed Shaft)

Ratio Code	Approx L.S. Shaft RPM	Horsepower										Torque									
		Drive Size										Drive Size									
		03	04	05	06	07	08	09	10	12	03	04	05	06	07	08	09	10	12		
125	9.3	0.302	0.561	0.96	1.22	2.28	3.51	—	—	—	1991	3894	5841	7301	14160	23984	—	—	—		
140	8.3	0.265	0.510	0.79	1.01	2.06	3.21	—	—	—	1991	3894	5841	7301	14160	23984	—	—	—		
160	7.3	0.234	0.443	0.72	0.92	1.87	2.84	4.38	7.45	12.05	1991	3894	5841	7301	14160	23984	36374	64163	107085		
200	5.8	0.183	0.377	0.54	0.69	1.30	2.04	3.11	5.38	7.72	1991	3894	5841	7301	14160	23984	36374	64163	107085		
250	4.6	0.170	0.293	0.43	0.55	1.18	1.82	2.78	4.79	8.70	1991	3894	5841	7301	14160	23984	36374	64163	107085		
280	4.1	0.135	0.265	0.38	0.48	1.03	1.56	2.50	4.35	6.87	1991	3894	5841	7301	14160	23984	36374	64163	107085		
320	3.6	0.119	0.234	0.36	0.46	0.90	1.43	2.23	3.92	6.25	1991	3894	5841	7301	14160	23984	36374	64163	107085		
360	3.2	0.104	0.212	0.32	0.41	0.73	1.26	1.95	3.33	5.39	1991	3894	5841	7301	14160	23984	36374	64163	107085		
400	2.9	0.093	0.185	0.28	0.36	0.68	1.16	1.75	3.00	4.74	1991	3894	5841	7301	14603	23984	36374	64163	107085		
450	2.6	0.085	0.168	0.25	0.32	0.61	1.01	1.55	2.64	4.21	1991	3894	5841	7301	14603	23984	36374	64163	107085		
500	2.3	0.075	0.148	0.23	0.29	0.55	0.92	1.44	2.42	3.91	1991	3894	5841	7301	14603	23984	36374	64163	107085		
560	2.0	0.068	0.130	0.20	0.25	0.48	0.86	1.25	2.20	3.55	1991	3894	5841	7301	14603	23984	36374	64163	107085		
630	1.8	0.059	0.117	0.18	0.23	0.44	0.72	1.08	1.91	3.09	1991	3894	5841	7301	14603	23984	36374	64163	107085		
700	1.6	0.055	0.106	0.156	0.20	0.38	0.61	0.97	1.72	2.74	1991	3894	5841	7301	14603	23984	36374	64163	107085		
800	1.4	0.048	0.093	0.139	0.18	0.34	0.57	0.93	1.59	2.61	1991	3894	5841	7301	14603	23984	38055	64163	108855		
900	1.3	0.042	0.085	0.126	0.160	0.31	0.52	0.78	1.37	2.19	1991	3894	5841	7301	14603	23984	38055	64163	107085		
10C	1.1	0.038	0.075	0.108	0.138	0.27	0.46	0.69	1.27	2.08	1991	3894	5841	7301	14603	23984	36374	64163	108855		
11C	1.0	0.034	0.068	0.097	0.123	0.23	0.42	0.66	1.06	1.85	1991	3894	5841	7301	14603	23984	38055	64163	108855		
12C	0.98	0.033	0.060	0.092	0.117	0.22	0.37	0.62	0.98	1.69	1991	3894	5841	7301	14603	23984	38055	64163	108855		
14C	0.84	0.027	0.053	0.077	0.098	0.19	0.32	0.50	0.85	1.39	1991	3894	5841	7301	14603	23984	38055	64163	108855		
16C	0.73	0.024	0.047	0.072	0.091	0.16	0.28	0.45	0.76	1.23	1991	3894	5841	7301	14603	23984	38055	64163	108855		
18C	0.65	0.021	0.042	0.064	0.081	0.146	0.26	0.42	0.71	1.16	1991	3894	5841	7301	14603	23984	38055	64163	108855		
20C	0.59	0.019	0.038	0.058	0.074	0.142	0.23	0.38	0.64	1.03	1991	3894	5841	7301	14603	23984	38055	64163	108855		
22C	0.53	0.017	0.033	0.051	0.065	0.126	0.21	0.35	0.58	0.94	1991	3894	5841	7301	14603	23984	38055	64163	108855		
25C	0.47	0.015	0.031	0.044	0.056	0.108	0.17	0.28	0.49	0.79	1991	3894	5841	7301	14603	23984	38055	64163	108855		
28C	0.42	0.014	0.027	0.040	0.051	0.096	0.16	0.27	0.45	0.73	1991	3894	5841	7301	14603	23984	38055	64163	108855		
32C	0.37	0.012	0.022	0.034	0.044	0.083	0.148	0.25	0.41	0.67	1991	3894	5841	7301	14603	23984	38055	64163	108855		
36C	0.33	0.011	0.021	0.030	0.038	0.073	0.121	0.20	0.34	0.56	1991	3894	5841	7301	14603	23984	38055	64163	108855		
40C	0.29	0.010	0.019	0.028	0.036	0.069	0.110	0.18	0.30	0.50	1991	3894	5841	7301	14603	23984	38055	64163	108855		
45C	0.26	0.008	0.017	0.025	0.031	0.061	0.098	0.16	0.26	0.43	1991	3894	5841	7301	14603	23984	38055	64163	108855		
50C	0.23	0.007	0.016	0.022	0.028	0.054	0.090	0.146	0.23	0.41	1655	3894	5841	7301	14603	23984	38055	64163	107085		
56C	0.21	0.006	0.014	0.022	0.028	0.053	0.088	0.122	0.21	0.35	1655	3894	5841	7301	14603	23984	36374	64163	107085		
63C	0.19	0.004	0.013	0.019	0.025	0.047	0.080	0.119	0.19	0.32	1416	3894	5841	7301	14603	23984	38055	64163	108855		
71C	0.16	0.004	0.011	0.016	0.016	0.035	0.070	0.106	0.17	0.30	1398	3894	5354	5354	12036	23984	38055	64163	108855		



# UB — Gear Drive Horsepower and Torque Ratings

## 870 High-Speed Shaft RPM/Triple Reduction (Torque Is in Pound-Inches at Low-Speed Shaft)

Ratio Code	Approx L.S. Shaft RPM	Horsepower										Torque							
		Drive Size										Drive Size							
		03	04	05	06	07	08	09	10	12	03	04	05	06	07	08	09	10	12
8.0	109	2.34	4.49	6.85	9.89	10.6	16.4	47.1 Ⓣ	—	—	1360	2510	3870	5480	6300	9230	26200 Ⓣ	—	—
10.	87	—	—	—	—	—	—	47.1 Ⓣ	63.3 Ⓣ	75.9 Ⓣ	—	—	—	—	—	—	31500 Ⓣ	43600 Ⓣ	53900 Ⓣ
11.	79	1.95	3.67	5.49	8.00	10.6	16.4	37.9 Ⓣ	63.3 Ⓣ	75.9 Ⓣ	1530	2880	4360	6240	8740	13100	29100 Ⓣ	50700 Ⓣ	62200 Ⓣ
12.	73	1.79	3.44	5.09	7.43	10.6	16.4	34.9 Ⓣ	63.3 Ⓣ	75.9 Ⓣ	1600	2980	4530	6500	9820	14600	30000 Ⓣ	55200 Ⓣ	68300 Ⓣ
14.	62	1.65	3.16	4.71	6.89	10.6	16.4	37.9 Ⓣ	63.3 Ⓣ	75.9 Ⓣ	1670	3110	4700	6760	10800	16200	34900 Ⓣ	61000 Ⓣ	74800 Ⓣ
16.	54	—	—	—	—	—	—	34.9 Ⓣ	61.3 Ⓣ	75.9 Ⓣ	—	—	—	—	—	—	36100 Ⓣ	64200 Ⓣ	82100 Ⓣ
18.	48	1.39	2.69	3.98	5.85	9.87	16.4	26.9 Ⓣ	49.7 Ⓣ	75.9 Ⓣ	1800	3360	5050	7290	13200	21000	33400 Ⓣ	64200 Ⓣ	96000 Ⓣ
20.	44	1.32	2.46	3.64	5.18	9.02	16.4	24.0 Ⓣ	46.1 Ⓣ	75.9 Ⓣ	1840	3490	5230	7320	13700	23600	33400 Ⓣ	64200 Ⓣ	105999 Ⓣ
22.	40	—	—	—	—	—	—	24.9 Ⓣ	41.4 Ⓣ	71.6 Ⓣ	—	—	—	—	—	—	37300 Ⓣ	64200 Ⓣ	108999 Ⓣ
25.	35	1.13	2.13	3.20	4.34	7.87	13.6	22.3	38.4 Ⓣ	64.6 Ⓣ	1990	3700	5490	7320	14500	23900	37300	64200 Ⓣ	108999 Ⓣ
28.	31	0.999	1.97	2.88	3.77	7.33	12.1	17.3	31.6	53.2 Ⓣ	1990	3800	5690	7320	14900	23900	33400	64200	106999 Ⓣ
32.	27	0.874	1.76	2.54	3.25	6.38	10.4	15.2	27.9	46.9 Ⓣ	1990	3850	5830	7320	14900	23900	33400	64200	106999 Ⓣ
36.	24	0.788	1.57	2.27	2.91	5.64	9.36	16.1	26.3	45.0 Ⓣ	1990	3910	5830	7320	14900	23900	37300	64200	108999 Ⓣ
40.	22	0.714	1.43	2.13	2.72	5.11	8.55	14.1	23.2	39.7	1990	3910	5830	7320	14900	23900	37300	64200	108999
45.	19	0.649	1.24	1.80	2.30	4.46	7.56	10.7	20.4	33.0	1990	3910	5830	7320	14900	23900	33400	64200	106999
50.	17	0.555	1.14	1.69	2.16	3.95	6.70	9.68	18.4	29.3	1990	3910	5830	7320	14900	23900	33400	64200	106999
56.	16	—	—	—	—	—	—	9.98	17.0	28.0	—	—	—	—	—	—	37300	64200	108999
63.	14	0.463	0.952	1.36	1.74	3.41	5.53	8.98	15.3	24.8	1990	3910	5830	7320	14900	23900	37300	64200	108999
71.	12	0.398	0.777	1.15	1.48	2.86	4.75	6.87	12.9	20.8	1990	3820	5830	7320	14900	23900	33400	64200	106999
80.	11	0.358	0.694	1.06	1.35	2.62	4.33	6.22	11.2	18.7	1990	3840	5830	7320	14900	23900	33400	64200	106999
90.	9.6	—	—	—	—	—	—	6.37	10.7	17.6	—	—	—	—	—	—	37300	64200	108999
100	8.7	0.246	0.589	0.863	1.10	2.19	3.53	5.77	9.32	15.8	1640	3790	5830	7320	14900	23900	37300	64200	108999
112	7.7	0.184	0.531	0.775	0.991	1.84	3.24	4.53	8.30	13.6	1410	3870	5830	7320	14400	23900	33400	64200	106999
125	6.9	0.160	0.472	0.639	0.639	1.41	2.82	4.04	7.74	12.8	1390	3910	5380	5280	12200	23900	33400	64200	106999
140	6.2	—	—	—	—	—	—	4.21	6.91	11.5	—	—	—	—	—	—	37300	64200	108999
160	5.4	—	—	—	—	—	—	3.75	6.44	10.8	—	—	—	—	—	—	37300	64200	108999

Ⓣ Input mechanical hp rating exceeds thermal hp capacity. See thermal hp capacity on **page 55**. When selecting gear drives by hp method, check required hp (without service factor) against the thermal hp ratings on **page 55**. When selecting gear drives by torque method, convert required torque (without service factor) to hp and check against the thermal hp ratings on **page 55**.

## 870 High-Speed Shaft RPM/Quintuple Reduction (Torque Is in Pound-Inches at Low-Speed Shaft)

Ratio Code	Approx L.S. Shaft RPM	Horsepower										Torque							
		Drive Size										Drive Size							
		03	04	05	06	07	08	09	10	12	03	04	05	06	07	08	09	10	12
125	6.9	0.228	0.423	0.72	0.92	1.72	2.65	—	—	—	1991	3894	5841	7301	14160	23984	—	—	—
140	6.2	0.200	0.385	0.60	0.76	1.55	2.42	—	—	—	1991	3894	5841	7301	14160	23984	—	—	—
160	5.4	0.177	0.334	0.54	0.69	1.41	2.14	3.30	5.62	9.09	1991	3894	5841	7301	14160	23984	36374	64163	107085
200	4.3	0.138	0.285	0.41	0.52	0.98	1.54	2.35	4.06	5.82	1991	3894	5841	7301	14160	21417	36374	64163	107085
250	3.4	0.128	0.221	0.32	0.41	0.89	1.37	2.10	3.61	6.56	1991	3894	5841	7301	14160	23984	36374	64163	107085
280	3.1	0.102	0.200	0.28	0.36	0.78	1.18	1.89	3.26	5.18	1991	3894	5841	7301	14160	23984	36374	64163	107085
320	2.7	0.090	0.177	0.27	0.34	0.68	1.08	1.68	2.96	4.71	1991	3894	5841	7301	14160	23984	36374	64163	107085
360	2.4	0.078	0.160	0.24	0.31	0.55	0.95	1.47	2.51	4.07	1991	3894	5841	7301	14160	23984	36374	64163	107085
400	2.1	0.070	0.140	0.21	0.27	0.51	0.87	1.32	2.26	3.58	1991	3894	5841	7301	14603	23984	36374	64163	107085
450	1.9	0.064	0.127	0.19	0.24	0.46	0.76	1.17	1.99	3.17	1991	3894	5841	7301	14603	23984	36374	64163	107085
500	1.7	0.056	0.112	0.17	0.22	0.42	0.69	1.09	1.82	2.95	1991	3894	5841	7301	14603	23984	36374	64163	107085
560	1.5	0.051	0.098	0.15	0.19	0.36	0.65	0.94	1.66	2.68	1991	3894	5841	7301	14603	23984	36374	64163	107085
630	1.3	0.045	0.088	0.137	0.17	0.33	0.55	0.81	1.44	2.33	1991	3894	5841	7301	14603	23984	36374	64163	107085
700	1.2	0.041	0.080	0.118	0.150	0.29	0.46	0.73	1.30	2.07	1991	3894	5841	7301	14603	23984	36374	64163	107085
800	1.0	0.036	0.070	0.105	0.134	0.26	0.43	0.71	1.20	1.97	1991	3894	5841	7301	14603	23984	38055	64163	108855
900	0.97	0.032	0.064	0.095	0.121	0.23	0.39	0.59	1.04	1.65	1991	3894	5841	7301	14603	23984	38055	64163	107085
10C	0.87	0.029	0.057	0.082	0.104	0.20	0.35	0.52	0.96	1.57	1991	3894	5841	7301	14603	23984	36374	64163	108855
11C	0.79	0.026	0.052	0.073	0.093	0.18	0.32	0.50	0.80	1.40	1991	3894	5841	7301	14603	23984	38055	64163	108855
12C	0.73	0.025	0.045	0.069	0.088	0.17	0.28	0.47	0.74	1.28	1991	3894	5841	7301	14603	23984	38055	64163	107085
14C	0.62	0.020	0.040	0.058	0.074	0.140	0.24	0.38	0.64	1.05	1991	3894	5841	7301	14603	23984	38055	64163	108855
16C	0.54	0.018	0.035	0.054	0.069	0.124	0.21	0.34	0.57	0.93	1991	3894	5841	7301	14603	23984	38055	64163	108855
18C	0.48	0.016	0.032	0.048	0.061	0.110	0.19	0.32	0.53	0.88	1991	3894	5841	7301	14603	23984	38055	64163	108855
20C	0.44	0.015	0.029	0.044	0.056	0.107	0.17	0.29	0.48	0.78	1991	3894	5841	7301	14603	23984	38055	64163	108855
22C	0.40	0.013	0.025	0.039	0.049	0.095	0.159	0.26	0.44	0.71	1991	3894	5841	7301	14603	23984	38055	64163	108855
25C	0.35	0.011	0.023	0.033	0.042	0.082	0.130	0.21	0.37	0.59	1991	3894	5841	7301	14603	23984	38055	64163	108855
28C	0.31	0.011	0.020	0.030	0.038	0.073	0.124	0.20	0.34	0.55	1991	3894	5841	7301	14603	23984	38055	64163	108855
32C	0.27	0.009	0.017	0.026	0.033	0.063	0.111	0.19	0.31	0.50	1991	3894	5841	7301	14603	23984	38055	64163	108855
36C	0.24	0.008	0.016	0.023	0.029	0.055	0.091	0.15	0.26	0.42	1991	3894	5841	7301	14603	23984	38055	64163	108855
40C	0.22	0.007	0.014	0.021	0.027	0.052	0.083	0.14	0.22	0.38	1991	3894	5841	7301	14603	23984	38055	64163	108855
45C	0.19	0.006	0.013	0.019	0.024	0.046	0.074	0.123	0.19	0.33	1991	3894	5841	7301	14603	23984	38055	64163	108855
50C	0.17	0.005	0.012	0.017	0.021	0.040	0.068	0.110	0.17	0.31	1655	3894	5841	7301	14603	23984	38055	64163	108855
56C	0.16	0.004	0.011	0.016	0.021	0.040	0.066	0.092	0.16	0.27	1655	3894	5841	7301	14603	23984	36374	64163	108855
63C	0.14	0.003	0.009	0.015	0.019	0.035	0.061	0.090	0.143	0.24	1416	3894	5841	7301	14603	23984	38055	64163	108855
71C	0.12	0.003	0.008	0.012	0.012	0.026	0.053	0.080	0.129	0.22	1398	3894	5354	5354	12036	23984	38055	64163	108855

## UB — Basic Thermal Horsepower Ratings

### UB Thermal Ratings & Thermal Application Correction Factors

The thermal ratings are a measure of the gear drive's ability to dissipate heat. Checking the thermal rating is extremely important, for if the drive creates heat faster than it can be dissipated, severe damage may occur.

Quick Selection tables for gearmotor drives are based on mechanical ratings only, while horsepower and torque tables show both mechanical and thermal ratings. It is important, however, that for both types of drives, the thermal ratings are checked to ensure that overheating does not occur.

Catalog thermal ratings are based on the drive being mounted in Position #1, operating continuously in an environment with an ambient temperature equal to 68°F (20°C). The thermal rating is affected by ambient air temperature, duty cycle and mounting position. To account for these varying conditions, the application correction factors given in **Table 1**, **Table 1A** and **Table 1B** should be applied to the catalog thermal ratings using the following formula:

$$P_{TA} = B_1 \times B_2 \times B_3 \times P_T \text{ where:}$$

$P_{TA}$  = Application Adjusted Thermal Power Rating

$P_T$  = Basic Thermal Power Rating (Below)

$B_1$  = Ambient Air Temperature Factor, **Table 1**

$B_2$  = Mounting Position Factor, **Table 1A**

$B_3$  = Duty Cycle Factor, **Table 1B**

### Units Operating in Mounting Positions 5 & 6

Thermal ratings for Positions #5 & #6 are reduced to 70% of the tabulated values.

Minimum ratios permitted for Positions #5 & #6 are dependent on input speed (rpm) and unit size. See table below:

#### Minimum Ratios — Positions #5 & #6

	< 1000	< 1500	< 1800
<b>03UB-08UB</b>	All	All	All
<b>09UB</b>	All	11:1	14:1
<b>10UB</b>	11:1	20:1	25:1
<b>12UB</b>	16:1	32:1	36:1

**Table 1 — Ambient Air Temperature Factor -  $B_1$**

Ambient Temperature °F	-20	0	20	32	50	68	80	100	120
Factor ①	1.67	1.50	1.37	1.28	1.15	1.00	0.89	0.72	0.51

**Table 1A — Mounting Position Factor -  $B_2$**

Drive Output RPM	Mounting Position				
	1	2	3 & 4	5	6
0 to 25	1.00	0.996	0.997	0.995	0.993
>25 to 50	1.00	0.990	0.993	0.986	0.982
>50 to 75	1.00	0.981	0.987	0.974	0.968
>75 to 100	1.00	0.970	0.980	0.960	0.950
>100 to 200	1.00	0.914	0.943	0.886	0.858
>200 to 300	1.00	0.844	0.896	0.792	0.840
>300 to 400	1.00	0.760	0.840	0.680	0.600
>400	1.00	0.724	0.809	0.618	0.533

**Table 1B — Duty Cycle Factor ② -  $B_3$**

Drive Output RPM	% Operating Time Per Hour				
	100	80	60	40	20
0 to 10	1.00	1.18	1.45	1.72	2.38
>10 to 25	1.00	1.16	1.39	1.64	2.22
>25 to 50	1.00	1.14	1.31	1.54	2.00
>50 to 100	1.00	1.08	1.19	1.33	1.64
>100 to 150	1.00	1.04	1.08	1.19	1.41
>150 to 200	1.00	1.00	1.00	1.06	1.23
>200	1.00	1.00	1.00	1.00	1.00

① Factors for other ambient temperatures can be interpolated.

② The duty cycle factor must be based on the percentage of each hour that the drive is operating. For example: A gear drive operating for 48 minutes and resting for 12 minutes every hour of the day, has an 80% duty cycle, but a drive operating for four hours and resting for four hours has a 100% duty cycle. Where % run time per hour falls between values shown above, use next higher % run time.

## UB — Basic Thermal Horsepower Ratings

Nominal Ratios	HighSpeed Shaft RPM	Auxiliary Cooling	Drive Size								
			03	04	05	06	07	08	09	10	12
8.0 thru 20.	3500	None	Consult Rexnord								
		Shaft Fan	—	—	—	—	—	—	—	—	—
	1750	None	7.9	9.7	13.9	14.9	21.9	19.2	25.8	54	74
		Shaft Fan	—	—	—	—	49	43	58	121	166
	1170	None	8.3	10.1	14.6	15.6	22.9	20.1	27.0	56	77
		Shaft Fan	—	—	—	—	40	36	48	99	136
	870	None	7.3	8.9	12.9	13.8	20.2	17.8	23.8	50	68
		Shaft Fan	—	—	—	—	36	32	42	89	122
22. thru 40.	3500	None	5.7	7.0	10.1	10.8	15.8	13.9	18.7	39	53
		Shaft Fan	—	—	—	—	—	—	—	—	—
	1750	None	6.7	8.2	11.8	12.6	18.6	17.7	25.1	35	47.9
		Shaft Fan	—	—	—	—	42	40	56	79	108
	1170	None	6.4	7.8	11.3	12.1	17.7	16.9	24.0	33	46
		Shaft Fan	—	—	—	—	34	33	46	65	89
	870	None	8.2	7.6	10.9	11.7	17.2	16.4	23.2	32	44
		Shaft Fan	—	—	—	—	31	29	41	58	79
45. & over	3500	None	4.9	6.0	8.6	9.2	13.5	12.8	18.2	25	35
		Shaft Fan	—	—	—	—	—	—	—	—	—
	1750	None	4.1	5.8	5.8	9.8	9.8	14.5	19.2	30	42
		Shaft Fan	—	—	—	—	22	33	43	67	95
	1170	None	6.4	7.8	11.3	12.1	17.7	16.9	24.0	33	46
		Shaft Fan	—	—	—	—	18	27	36	55	78
	870	None	6.2	7.6	10.9	11.7	17.2	16.4	23.2	32	44
		Shaft Fan	—	—	—	—	16	24	32	49	70



## UB — Gear Drive Part Numbers

### Helical Bevel Gear Drive — Sizes 03-07 – Triple Reduction

Drive Size	Ratio Code	Exact Ratio	Drive Designation	Drive Part No.
03	8.0	8.328	03UBBQ3A8.0N_	4765647
03	11.	11.25	03UBBQ3A11.N_	4765650
03	12.	12.80	03UBBQ3A12.N_	4765653
03	14.	14.50	03UBBQ3A14.N_	4765656
03	18.	18.54	03UBBQ3A18.N_	4765659
03	20.	19.98	03UBBQ3A20.N_	4765662
03	25.	25.23	03UBBQ3A25.N_	4765665
03	28.	28.60	03UBBQ3A28.N_	4765668
03	32.	32.68	03UBBQ3A32.N_	4765671
03	36.	36.35	03UBBQ3A36.N_	4765674
03	40.	40.08	03UBBQ3A40.N_	4765677
03	45.	44.11	03UBBQ3A45.N_	4765680
03	50.	51.68	03UBBQ3A50.N_	4765683
03	63.	62.00	03UBBQ3A63.N_	4765686
03	71.	72.27	03UBBQ3A71.N_	4765689
03	80.	80.30	03UBBQ3A80.N_	4765692
03	100	96.70	03UBBQ3A100N_	4765695
03	112	110.8	03UBBQ3A112N_	4765698
03	125	126.0	03UBBQ3A125N_	4765703
04	8.0	8.054	04UBBQ3A8.0N_	4765707
04	11.	11.30	04UBBQ3A11.N_	4765711
04	12.	12.45	04UBBQ3A12.N_	4765715
04	14.	14.14	04UBBQ3A14.N_	4765719
04	18.	17.95	04UBBQ3A18.N_	4765723
04	20.	20.40	04UBBQ3A20.N_	4765727
04	25.	25.03	04UBBQ3A25.N_	4765731
04	28.	27.78	04UBBQ3A28.N_	4765735
04	32.	31.54	04UBBQ3A32.N_	4765739
04	36.	35.83	04UBBQ3A36.N_	4765742
04	40.	39.46	04UBBQ3A40.N_	4765745
04	45.	45.39	04UBBQ3A45.N_	4765748
04	50.	49.35	04UBBQ3A50.N_	4765751
04	63.	59.24	04UBBQ3A63.N_	4765754
04	71.	71.09	04UBBQ3A71.N_	4765757
04	80.	80.10	04UBBQ3A80.N_	4765760
04	100	93.12	04UBBQ3A100N_	4765763
04	112	105.7	04UBBQ3A112N_	4765766
04	125	120.2	04UBBQ3A125N_	4765769
05	8.0	8.112	05UBBQ3A8.0N_	4765772
05	11.	11.40	05UBBQ3A11.N_	4765775
05	12.	12.78	05UBBQ3A12.N_	4765778
05	14.	14.35	05UBBQ3A14.N_	4765781
05	18.	18.22	05UBBQ3A18.N_	4765784
05	20.	20.66	05UBBQ3A20.N_	4765787
05	25.	24.64	05UBBQ3A25.N_	4765790
05	28.	28.37	05UBBQ3A28.N_	4765794
05	32.	32.99	05UBBQ3A32.N_	4765798
05	36.	36.91	05UBBQ3A36.N_	4765802
05	40.	39.34	05UBBQ3A40.N_	4765806
05	45.	46.63	05UBBQ3A45.N_	4765810
05	50.	49.78	05UBBQ3A50.N_	4765814
05	63.	61.78	05UBBQ3A63.N_	4765818
05	71.	72.85	05UBBQ3A71.N_	4765822
05	80.	79.77	05UBBQ3A80.N_	4765826
05	100	97.76	05UBBQ3A100N_	4765830
05	112	109.0	05UBBQ3A112N_	4765834
05	125	122.2	05UBBQ3A125N_	4765838
06	8.0	7.961	06UBBQ3A8.0N_	4765910
06	11.	11.19	06UBBQ3A11.N_	4765913
06	12.	12.54	06UBBQ3A12.N_	4765916
06	14.	14.08	06UBBQ3A14.N_	4765919
06	18.	17.88	06UBBQ3A18.N_	4765922
06	20.	20.27	06UBBQ3A20.N_	4765925
06	25.	24.18	06UBBQ3A25.N_	4765928
06	28.	27.84	06UBBQ3A28.N_	4765932
06	32.	32.38	06UBBQ3A32.N_	4765936
06	36.	36.22	06UBBQ3A36.N_	4765940
06	40.	38.61	06UBBQ3A40.N_	4765944
06	45.	45.76	06UBBQ3A45.N_	4765948
06	50.	48.86	06UBBQ3A50.N_	4765952
06	63.	60.62	06UBBQ3A63.N_	4765956
06	71.	71.49	06UBBQ3A71.N_	4765960
06	80.	78.28	06UBBQ3A80.N_	4765964
06	100	95.93	06UBBQ3A100N_	4765968
06	112	106.9	06UBBQ3A112N_	4765972
06	125	119.9	06UBBQ3A125N_	4765976
07	8.0	8.595	07UBBQ3A8.0N_	4766049
07	11.	11.91	07UBBQ3A11.N_	4766053
07	12.	13.37	07UBBQ3A12.N_	4766057
07	14.	14.71	07UBBQ3A14.N_	4766061
07	18.	19.21	07UBBQ3A18.N_	4766065
07	20.	21.84	07UBBQ3A20.N_	4766069
07	25.	26.52	07UBBQ3A25.N_	4766074
07	28.	29.17	07UBBQ3A28.N_	4766079
07	32.	33.52	07UBBQ3A32.N_	4766084
07	36.	38.01	07UBBQ3A36.N_	4766089
07	40.	41.92	07UBBQ3A40.N_	4766094
07	45.	48.01	07UBBQ3A45.N_	4766099
07	50.	54.28	07UBBQ3A50.N_	4766104
07	63.	62.94	07UBBQ3A63.N_	4766109
07	71.	75.07	07UBBQ3A71.N_	4766114
07	80.	82.21	07UBBQ3A80.N_	4766119
07	100	98.65	07UBBQ3A100N_	4766124
07	112	113.5	07UBBQ3A112N_	4766129
07	125	126.1	07UBBQ3A125N_	4766134

## UB — Gear Drive Part Numbers

### Helical Bevel Gear Drive — Sizes 08-12 – Triple Reduction

Drive Size	Ratio Code	Exact Ratio	Drive Designation	Drive Part No.	Drive Size	Ratio Code	Exact Ratio	Drive Designation	Drive Part No.	Drive Size	Ratio Code	Exact Ratio	Drive Designation	Drive Part No.
08	8.0	8.128	08UBBQ3A8.0N_	4762673	09	45.	44.89	09UBBQ3A45.N_	4762859	10	100	99.70	10UBBQ3A100N_	4763782
08	11.	11.52	08UBBQ3A11.N_	4762681	09	50.	49.87	09UBBQ3A50.N_	4762865	10	112	112.0	10UBBQ3A112N_	4763788
08	12.	12.80	08UBBQ3A12.N_	4762685	09	56.	54.09	09UBBQ3A56.N_	4762871	10	125	120.4	10UBBQ3A125N_	4763794
08	14.	14.24	08UBBQ3A14.N_	4766227	09	63.	60.10	09UBBQ3A63.N_	4762877	10	140	134.8	10UBBQ3A140N_	4763800
08	18.	18.41	08UBBQ3A18.N_	4762697	09	71.	70.45	09UBBQ3A71.N_	4762883	10	160	144.9	10UBBQ3A160N_	4763806
08	20.	20.67	08UBBQ3A20.N_	4762701	09	80.	77.78	09UBBQ3A80.N_	4762889	12	10.	10.26	12UBBQ3A10.N_	4763818
08	25.	25.35	08UBBQ3A25.N_	4766231	09	90.	84.89	09UBBQ3A90.N_	4762895	12	11.	11.80	12UBBQ3A11.N_	4763824
08	28.	28.56	08UBBQ3A28.N_	4762713	09	100	93.71	09UBBQ3A100N_	4762901	12	12.	12.96	12UBBQ3A12.N_	4763830
08	32.	33.24	08UBBQ3A32.N_	4762717	09	112	107.0	09UBBQ3A112N_	4762907	12	14.	14.21	12UBBQ3A14.N_	4763836
08	36.	36.88	08UBBQ3A36.N_	4766237	09	125	120.3	09UBBQ3A125N_	4762913	12	16.	15.61	12UBBQ3A16.N_	4763842
08	40.	40.36	08UBBQ3A40.N_	4766243	09	140	128.9	09UBBQ3A140N_	4762919	12	18.	18.20	12UBBQ3A18.N_	4763848
08	45.	45.66	08UBBQ3A45.N_	4762731	09	160	145.0	09UBBQ3A160N_	4762925	12	20.	20.17	12UBBQ3A20.N_	4763854
08	50.	51.54	08UBBQ3A50.N_	4762737	10	10.	9.946	10UBBQ3A10.N_	4763686	12	22.	21.93	12UBBQ3A22.N_	4763860
08	63.	62.47	08UBBQ3A63.N_	4766249	10	11.	11.54	10UBBQ3A11.N_	4763690	12	25.	24.29	12UBBQ3A25.N_	4763866
08	71.	72.86	08UBBQ3A71.N_	4762755	10	12.	12.55	10UBBQ3A12.N_	4763694	12	28.	28.99	12UBBQ3A28.N_	4763872
08	80.	80.03	08UBBQ3A80.N_	4762761	10	14.	13.89	10UBBQ3A14.N_	4763698	12	32.	32.83	12UBBQ3A32.N_	4763878
08	100	98.08	08UBBQ3A100N_	4766255	10	16.	15.11	10UBBQ3A16.N_	4763702	12	36.	34.93	12UBBQ3A36.N_	4763884
08	112	107.1	08UBBQ3A112N_	4762779	10	18.	18.57	10UBBQ3A18.N_	4763706	12	40.	39.55	12UBBQ3A40.N_	4763890
08	125	123.3	08UBBQ3A125N_	4762785	10	20.	20.05	10UBBQ3A20.N_	4763710	12	45.	46.81	12UBBQ3A45.N_	4763898
09	8.0	8.035	09UBBQ3A8.0N_	4762801	10	22.	22.35	10UBBQ3A22.N_	4763714	12	50.	52.76	12UBBQ3A50.N_	4763906
09	10.	9.681	09UBBQ3A10.N_	4762805	10	25.	24.13	10UBBQ3A25.N_	4763718	12	56.	56.39	12UBBQ3A56.N_	4763914
09	11.	11.06	09UBBQ3A11.N_	4762809	10	28.	29.24	10UBBQ3A28.N_	4763722	12	63.	63.57	12UBBQ3A63.N_	4763922
09	12.	12.40	09UBBQ3A12.N_	4762813	10	32.	33.10	10UBBQ3A32.N_	4763726	12	71.	74.62	12UBBQ3A71.N_	4763930
09	14.	13.33	09UBBQ3A14.N_	4762817	10	36.	35.19	10UBBQ3A36.N_	4763730	12	80.	83.10	12UBBQ3A80.N_	4763938
09	16.	14.94	09UBBQ3A16.N_	4762821	10	40.	39.84	10UBBQ3A40.N_	4763734	12	90.	89.89	12UBBQ3A90.N_	4763946
09	18.	17.93	09UBBQ3A18.N_	4762825	10	45.	45.37	10UBBQ3A45.N_	4763740	12	100	100.1	12UBBQ3A100N_	4763954
09	20.	20.03	09UBBQ3A20.N_	4762829	10	50.	50.41	10UBBQ3A50.N_	4763746	12	112	113.8	12UBBQ3A112N_	4763960
09	22.	21.61	09UBBQ3A22.N_	4762833	10	56.	54.61	10UBBQ3A56.N_	4763752	12	125	121.1	12UBBQ3A125N_	4763966
09	25.	24.14	09UBBQ3A25.N_	4762837	10	63.	60.68	10UBBQ3A63.N_	4763758	12	140	137.1	12UBBQ3A140N_	4763972
09	28.	27.78	09UBBQ3A28.N_	4762841	10	71.	71.89	10UBBQ3A71.N_	4763764	12	160	145.9	12UBBQ3A160N_	4763978
09	32.	31.67	09UBBQ3A32.N_	4762845	10	80.	82.83	10UBBQ3A80.N_	4763770					
09	36.	33.47	09UBBQ3A36.N_	4762849	10	90.	86.53	10UBBQ3A90.N_	4763776					
09	40.	38.16	09UBBQ3A40.N_	4762853										

# UB — Gear Drive Part Numbers

## Helical Bevel Gear Drive — Sizes 03-07 – Quintuple Reduction

Drive Size	Ratio Code	Exact Ratio	Drive Designation	Drive Part No.	Drive Size	Ratio Code	Exact Ratio	Drive Designation	Drive Part No.	Drive Size	Ratio Code	Exact Ratio	Drive Designation	Drive Part No.
03	125	128	03UBBQ5A125N	Refer to Factory	04	25C	2463	04UBBQ5A25CN	Refer to Factory	06	10C	1026	06UBBQ5A10CN	Refer to Factory
03	140	145	03UBBQ5A140N		04	28C	2799	04UBBQ5A28CN		06	11C	1147	06UBBQ5A11CN	
03	160	165	03UBBQ5A160N		04	32C	3360	04UBBQ5A32CN		06	12C	1208	06UBBQ5A12CN	
03	200	211	03UBBQ5A200N		04	36C	3548	04UBBQ5A36CN		06	14C	1449	06UBBQ5A14CN	
03	250	227	03UBBQ5A250N		04	40C	3998	04UBBQ5A40CN		06	16C	1548	06UBBQ5A16CN	
03	280	287	03UBBQ5A280N		04	45C	4543	04UBBQ5A45CN		06	18C	1744	06UBBQ5A18CN	
03	320	325	03UBBQ5A320N		04	50C	4647	04UBBQ5A50CN		06	20C	1920	06UBBQ5A20CN	
03	360	371	03UBBQ5A360N		04	56C	5281	04UBBQ5A56CN		06	22C	2164	06UBBQ5A22CN	
03	400	413	03UBBQ5A400N		04	63C	5994	04UBBQ5A63CN		06	25C	2515	06UBBQ5A25CN	
03	450	455	03UBBQ5A450N		04	71C	6815	04UBBQ5A71CN		06	28C	2794	06UBBQ5A28CN	
03	500	516	03UBBQ5A500N		05	125	118	05UBBQ5A125N		06	32C	3248	06UBBQ5A32CN	
03	560	568	03UBBQ5A560N		05	140	143	05UBBQ5A140N		06	36C	3686	06UBBQ5A36CN	
03	630	649	03UBBQ5A630N		05	160	157	05UBBQ5A160N		06	40C	3981	06UBBQ5A40CN	
03	700	704	03UBBQ5A700N		05	200	208	05UBBQ5A200N		06	45C	4518	06UBBQ5A45CN	
03	800	798	03UBBQ5A800N		05	250	264	05UBBQ5A250N		06	50C	5036	06UBBQ5A50CN	
03	900	912	03UBBQ5A900N		05	280	300	05UBBQ5A280N		06	56C	5136	06UBBQ5A56CN	
03	10C	1015	03UBBQ5A10CN		05	320	316	05UBBQ5A320N		06	63C	5725	06UBBQ5A63CN	
03	11C	1119	03UBBQ5A11CN		05	360	351	05UBBQ5A360N		06	71C	6420	06UBBQ5A71CN	
03	12C	1183	03UBBQ5A12CN		05	400	399	05UBBQ5A400N		07	125	120	07UBBQ5A125N	
03	14C	1423	03UBBQ5A14CN		05	450	453	05UBBQ5A450N		07	140	133	07UBBQ5A140N	
03	16C	1583	03UBBQ5A16CN		05	500	499	05UBBQ5A500N		07	160	147	07UBBQ5A160N	
03	18C	1800	03UBBQ5A18CN		05	560	574	05UBBQ5A560N		07	200	211	07UBBQ5A200N	
03	20C	2000	03UBBQ5A20CN		05	630	624	05UBBQ5A630N		07	250	233	07UBBQ5A250N	
03	22C	2250	03UBBQ5A22CN		05	700	725	05UBBQ5A700N		07	280	265	07UBBQ5A280N	
03	25C	2579	03UBBQ5A25CN		05	800	812	05UBBQ5A800N		07	320	305	07UBBQ5A320N	
03	28C	2699	03UBBQ5A28CN		05	900	899	05UBBQ5A900N		07	360	374	07UBBQ5A360N	
03	32C	3094	03UBBQ5A32CN		05	10C	1045	05UBBQ5A10CN		07	400	415	07UBBQ5A400N	
03	36C	3516	03UBBQ5A36CN		05	11C	1169	05UBBQ5A11CN		07	450	466	07UBBQ5A450N	
03	40C	4007	03UBBQ5A40CN		05	12C	1231	05UBBQ5A12CN		07	500	513	07UBBQ5A500N	
03	45C	4554	03UBBQ5A45CN		05	14C	1477	05UBBQ5A14CN		07	560	590	07UBBQ5A560N	
03	50C	4826	03UBBQ5A50CN		05	16C	1577	05UBBQ5A16CN		07	630	641	07UBBQ5A630N	
03	56C	5485	03UBBQ5A56CN		05	18C	1777	05UBBQ5A18CN		07	700	737	07UBBQ5A700N	
03	63C	6286	03UBBQ5A63CN		05	20C	1957	05UBBQ5A20CN		07	800	836	07UBBQ5A800N	
03	71C	7144	03UBBQ5A71CN	05	22C	2205	05UBBQ5A22CN	07	900	924	07UBBQ5A900N			
04	125	134	04UBBQ5A125N	Refer to Factory	05	25C	2563	05UBBQ5A25CN	07	10C	1062	07UBBQ5A10CN		
04	140	148	04UBBQ5A140N		05	28C	2847	05UBBQ5A28CN	07	11C	1204	07UBBQ5A11CN		
04	160	170	04UBBQ5A160N		05	32C	3310	05UBBQ5A32CN	07	12C	1267	07UBBQ5A12CN		
04	200	200	04UBBQ5A200N		05	36C	3757	05UBBQ5A36CN	07	14C	1521	07UBBQ5A14CN		
04	250	258	04UBBQ5A250N		05	40C	4056	05UBBQ5A40CN	07	16C	1720	07UBBQ5A16CN		
04	280	284	04UBBQ5A280N		05	45C	4604	05UBBQ5A45CN	07	18C	1938	07UBBQ5A18CN		
04	320	322	04UBBQ5A320N		05	50C	5131	05UBBQ5A50CN	07	20C	1994	07UBBQ5A20CN		
04	360	355	04UBBQ5A360N		05	56C	5234	05UBBQ5A56CN	07	22C	2246	07UBBQ5A22CN		
04	400	407	04UBBQ5A400N		05	63C	5833	05UBBQ5A63CN	07	25C	2611	07UBBQ5A25CN		
04	450	448	04UBBQ5A450N		05	71C	6542	05UBBQ5A71CN	07	28C	2934	07UBBQ5A28CN		
04	500	508	04UBBQ5A500N		06	125	116	06UBBQ5A125N	07	32C	3411	07UBBQ5A32CN		
04	560	581	04UBBQ5A560N		06	140	140	06UBBQ5A140N	07	36C	3871	07UBBQ5A36CN		
04	630	646	04UBBQ5A630N		06	160	154	06UBBQ5A160N	07	40C	4093	07UBBQ5A40CN		
04	700	712	04UBBQ5A700N		06	200	204	06UBBQ5A200N	07	45C	4646	07UBBQ5A45CN		
04	800	808	04UBBQ5A800N		06	250	259	06UBBQ5A250N	07	50C	5281	07UBBQ5A50CN		
04	900	891	04UBBQ5A900N		06	280	294	06UBBQ5A280N	07	56C	5345	07UBBQ5A56CN		
04	10C	1000	04UBBQ5A10CN		06	320	310	06UBBQ5A320N	07	63C	6076	07UBBQ5A63CN		
04	11C	1102	04UBBQ5A11CN		06	360	344	06UBBQ5A360N	07	71C	6752	07UBBQ5A71CN		
04	12C	1267	04UBBQ5A12CN		06	400	391	06UBBQ5A400N						
04	14C	1427	04UBBQ5A14CN		06	450	445	06UBBQ5A450N						
04	16C	1606	04UBBQ5A16CN		06	500	489	06UBBQ5A500N						
04	18C	1784	04UBBQ5A18CN		06	560	563	06UBBQ5A560N						
04	20C	2250	04UBBQ5A20CN		06	630	612	06UBBQ5A630N						
04	22C	2265	04UBBQ5A22CN		06	700	712	06UBBQ5A700N						
					06	800	797	06UBBQ5A800N						
					06	900	882	06UBBQ5A900N						

# UB — Gear Drive Part Numbers

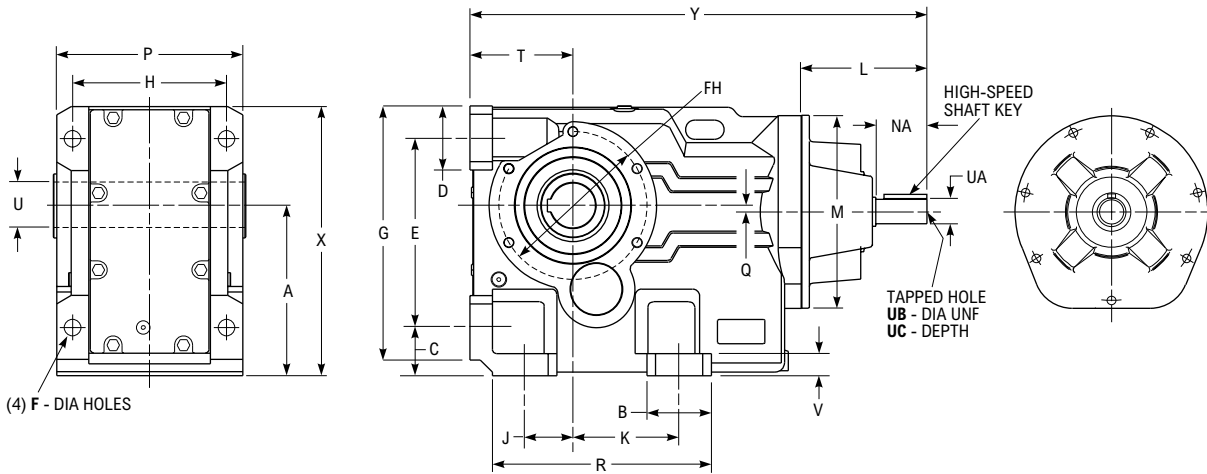
## Helical Bevel Gear Drive — Sizes 08-12 – Quintuple Reduction

Drive Size	Ratio Code	Exact Ratio	Drive Designation	Drive Part No.	Drive Size	Ratio Code	Exact Ratio	Drive Designation	Drive Part No.	Drive Size	Ratio Code	Exact Ratio	Drive Designation	Drive Part No.
08	125	132	08UBBQ5A125N	Refer to Factory	09	700	727	09UBBQ5A700N	Refer to Factory	10	32C	3044	10UBBQ5A32CN	Refer to Factory
08	140	145	08UBBQ5A140N		09	800	789	09UBBQ5A800N		10	36C	3652	10UBBQ5A36CN	
08	160	164	08UBBQ5A160N		09	900	940	09UBBQ5A900N		10	40C	4208	10UBBQ5A40CN	
08	200	203	08UBBQ5A200N		09	10C	1028	09UBBQ5A10CN		10	45C	4842	10UBBQ5A45CN	
08	250	256	08UBBQ5A250N		09	11C	1115	09UBBQ5A11CN		10	50C	5380	10UBBQ5A50CN	
08	280	297	08UBBQ5A280N		09	12C	1190	09UBBQ5A12CN		10	56C	5845	10UBBQ5A56CN	
08	320	325	08UBBQ5A320N		09	14C	1477	09UBBQ5A14CN		10	63C	6548	10UBBQ5A63CN	
08	360	368	08UBBQ5A360N		09	16C	1641	09UBBQ5A16CN		10	71C	7276	10UBBQ5A71CN	
08	400	401	08UBBQ5A400N		09	18C	1741	09UBBQ5A18CN		12	160	172	12UBBQ5A160N	
08	450	462	08UBBQ5A450N		09	20C	1935	09UBBQ5A20CN		12	200	269	12UBBQ5A200N	
08	500	506	08UBBQ5A500N		09	22C	2118	09UBBQ5A22CN		12	250	238	12UBBQ5A250N	
08	560	538	08UBBQ5A560N		09	25C	2596	09UBBQ5A25CN		12	280	302	12UBBQ5A280N	
08	630	641	08UBBQ5A630N		09	28C	2733	09UBBQ5A28CN		12	320	332	12UBBQ5A320N	
08	700	760	08UBBQ5A700N		09	32C	2992	09UBBQ5A32CN		12	360	385	12UBBQ5A360N	
08	800	811	08UBBQ5A800N		09	36C	3667	09UBBQ5A36CN		12	400	437	12UBBQ5A400N	
08	900	888	08UBBQ5A900N		09	40C	4048	09UBBQ5A40CN		12	450	493	12UBBQ5A450N	
08	10C	1007	08UBBQ5A10CN		09	45C	4512	09UBBQ5A45CN		12	500	531	12UBBQ5A500N	
08	11C	1102	08UBBQ5A11CN		09	50C	5060	09UBBQ5A50CN		12	560	584	12UBBQ5A560N	
08	12C	1248	08UBBQ5A12CN		09	56C	5793	09UBBQ5A56CN		12	630	671	12UBBQ5A630N	
08	14C	1470	08UBBQ5A14CN		09	63C	6207	09UBBQ5A63CN		12	700	757	12UBBQ5A700N	
08	16C	1659	08UBBQ5A16CN		09	71C	6980	09UBBQ5A71CN		12	800	809	12UBBQ5A800N	
08	18C	1817	08UBBQ5A18CN		10	160	167	10UBBQ5A160N		12	900	946	12UBBQ5A900N	
08	20C	2011	08UBBQ5A20CN		10	200	226	10UBBQ5A200N		12	10C	1012	12UBBQ5A10CN	
08	22C	2202	08UBBQ5A22CN		10	250	260	10UBBQ5A250N		12	11C	1140	12UBBQ5A11CN	
08	25C	2699	08UBBQ5A25CN		10	280	285	10UBBQ5A280N		12	12C	1226	12UBBQ5A12CN	
08	28C	2821	08UBBQ5A28CN		10	320	317	10UBBQ5A320N		12	14C	1519	12UBBQ5A14CN	
08	32C	3147	08UBBQ5A32CN		10	360	373	10UBBQ5A360N		12	16C	1712	12UBBQ5A16CN	
08	36C	3853	08UBBQ5A36CN		10	400	414	10UBBQ5A400N		12	18C	1811	12UBBQ5A18CN	
08	40C	4237	08UBBQ5A40CN		10	450	471	10UBBQ5A450N		12	20C	2042	12UBBQ5A20CN	
08	45C	4722	08UBBQ5A45CN		10	500	515	10UBBQ5A500N		12	22C	2236	12UBBQ5A22CN	
08	50C	5157	08UBBQ5A50CN		10	560	566	10UBBQ5A560N		12	25C	2683	12UBBQ5A25CN	
08	56C	5296	08UBBQ5A56CN		10	630	651	10UBBQ5A630N		12	28C	2887	12UBBQ5A28CN	
08	63C	5783	08UBBQ5A63CN		10	700	723	10UBBQ5A700N		12	32C	3162	12UBBQ5A32CN	
08	71C	6660	08UBBQ5A71CN		10	800	783	10UBBQ5A800N		12	36C	3794	12UBBQ5A36CN	
09	160	161	09UBBQ5A161N		10	900	904	10UBBQ5A900N		12	40C	4226	12UBBQ5A40CN	
09	200	226	09UBBQ5A226N		10	10C	980	10UBBQ5A10CN		12	45C	4862	12UBBQ5A45CN	
09	250	254	09UBBQ5A250N	10	11C	1171	10UBBQ5A11CN	12	50C	5110	12UBBQ5A50CN			
09	280	282	09UBBQ5A280N	10	12C	1268	10UBBQ5A12CN	12	56C	5879	12UBBQ5A56CN			
09	320	316	09UBBQ5A316N	10	14C	1470	10UBBQ5A14CN	12	63C	6657	12UBBQ5A63CN			
09	360	361	09UBBQ5A361N	10	16C	1634	10UBBQ5A16CN	12	71C	7083	12UBBQ5A71CN			
09	400	402	09UBBQ5A400N	10	18C	1754	10UBBQ5A18CN							
09	450	455	09UBBQ5A450N	10	20C	1949	10UBBQ5A20CN							
09	500	489	09UBBQ5A500N	10	22C	2134	10UBBQ5A22CN							
09	560	563	09UBBQ5A560N	10	25C	2561	10UBBQ5A25CN							
09	630	655	09UBBQ5A630N	10	28C	2779	10UBBQ5A28CN							

# UB — Triple Reduction Basic Gear Drive

Sizes 03-12

Basic Gear Drive, Hollow Low-Speed Shaft, Integral Base & End-Mounted Feet



Dimensions (in)

Size ①	A	B	C	D	E	F	FH	G	H	J	K	L	M	NA	P
03	3.94	1.50	1.26	1.50	4.53	0.43	4.21	5.98	3.94	1.10	3.23	4.37	5.51	1.57	4.72
04	4.41	1.50	1.46	1.57	5.12	0.43	5.12	6.73	4.72	1.38	3.74	4.37	5.51	1.57	5.71
05	5.20	1.57	1.77	1.57	5.91	0.55	4.92	7.56	5.12	1.18	3.94	4.37	7.09	1.57	6.18
06	5.51	2.17	1.77	1.89	6.30	0.55	5.91	8.19	5.51	1.18	3.54	4.37	7.09	1.57	6.69
07	7.09	2.36	2.17	2.17	7.87	0.71	5.91	10.35	6.50	1.57	4.34	4.53	8.35	1.97	7.87
08	8.35	2.99	2.76	2.99	9.17	0.91	7.68	12.17	7.09	2.17	4.92	6.30	9.84	2.36	9.06
09	10.43	3.94	2.95	3.94	11.61	1.06	9.06	15.55	9.45	2.95	6.50	7.68	11.81	3.15	11.42
10	12.40	4.33	3.74	4.53	14.17	1.34	11.02	17.91	10.63	3.74	7.28	9.17	14.17	4.33	13.39
12	14.76	4.72	4.33	4.72	16.54	1.54	11.02	21.26	12.99	4.53	9.25	11.26	15.75	4.33	15.75

Size ①	Q	R	T	Hollow L.S. Shaft		H.S. Shaft				V	X	Y
				U ② +.0012 -.0000	Keyway	UA +.0000 -.0005	Key	UB	UC			
03	0.63	5.63	2.48	1.2500	0.250 x 0.127 x 4.724	0.6250	0.19 x 0.14 x 1.28	1/4	0.63	0.43	6.57	13.11
04	0.51	6.61	2.80	1.3750	0.313 x 0.150 x 5.906	0.6250	0.19 x 0.14 x 1.28	1/4	0.63	0.63	7.36	14.21
05	0.20	6.69	3.15	1.5000	0.375 x 0.175 x 6.535	0.7500	0.19 x 0.16 x 1.28	1/4	0.63	0.59	8.54	16.14
06	0.51	6.93	3.54	1.5000	0.375 x 0.175 x 7.087	0.7500	0.19 x 0.16 x 1.28	1/4	0.63	0.79	9.17	16.93
07	0.98	8.27	4.41	2.0000	0.500 x 0.230 x 8.268	0.8750	0.19 x 0.16 x 1.28	5/32	0.63	1.06	11.34	19.37
08	0.59	10.08	5.20	2.3750	0.625 x 0.281 x 9.449	1.1250	0.25 x 0.20 x 2.00	3/8	0.87	1.18	13.43	24.49
09	0.39	13.39	6.30	2.7500	0.625 x 0.287 x 11.811	1.3750	0.31 x 0.26 x 2.40	1/2	1.10	1.38	16.54	27.95
10	1.61	15.35	7.87	3.2500	0.750 x 0.400 x 13.781	1.6250	0.38 x 0.34 x 3.69	5/8	1.42	1.57	19.88	33.70
12	2.56	18.50	8.86	4.0000	1.000 x 0.450 x 16.142	2.1250	0.50 x 0.46 x 3.81	3/4	1.65	1.77	23.23	38.86

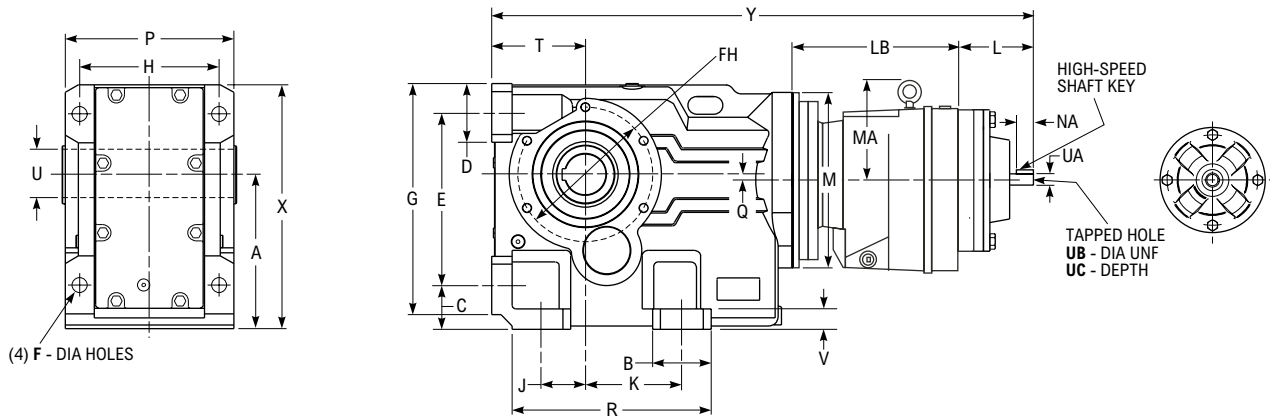
① Refer to page 5 for General Information and Reference Notes.

② Size 10 & 12 tolerance is +.0014, -.0000.

# UB — Quintuple Reduction Basic Gear Drive

Sizes 03-12

Basic Gear Drive, Hollow Low-Speed Shaft, Integral Base & End-Mounted Feet



## Dimensions (in)

Size ①	A	B	C	D	E	F	FH	G	H	J	K	L	LB	M	MA	NA	P
03	3.94	1.50	1.26	1.50	4.53	0.43	4.21	5.98	3.94	1.10	3.23	4.37	11.69	5.51	—	1.57	4.72
04	4.41	1.50	1.46	1.57	5.12	0.43	5.12	6.73	4.72	1.38	3.74	4.37	11.69	5.51	—	1.57	5.71
05	5.20	1.57	1.77	1.57	5.91	0.55	4.92	7.56	5.12	1.18	3.94	4.37	12.32	7.09	—	1.57	6.18
06	5.51	2.17	1.77	1.89	6.30	0.55	5.91	8.19	5.51	1.18	3.54	4.37	12.32	7.09	—	1.57	6.69
07	7.09	2.36	2.17	2.17	7.87	0.71	5.91	10.35	6.50	1.57	4.34	4.37	12.36	7.09	—	1.57	7.87
08	8.35	2.99	2.76	2.99	9.17	0.91	7.68	12.17	7.09	2.17	4.92	4.37	14.01	9.84	—	1.57	9.06
09	10.43	3.94	2.95	3.94	11.61	1.06	9.06	15.55	9.45	2.95	6.50	4.37	14.44	11.81	—	1.57	11.42
10	12.40	4.33	3.74	4.53	14.17	1.34	11.02	17.91	10.63	3.74	7.28	4.53	16.03	14.17	6.10	1.97	13.39
12	14.76	4.72	4.33	4.72	16.54	1.54	11.02	21.26	12.99	4.53	9.25	4.53	17.95	15.75	6.10	1.97	15.75

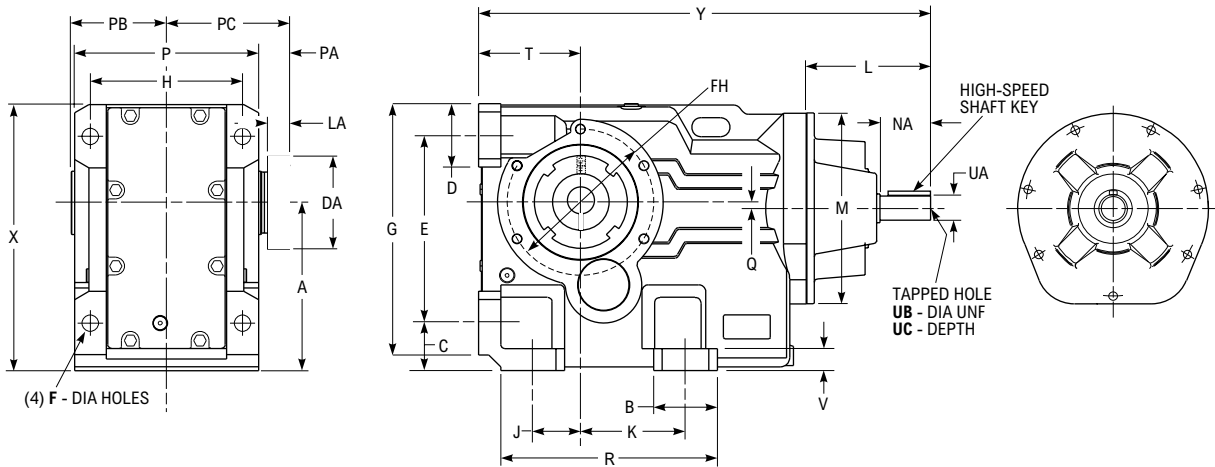
Size ①	Q	R	T	Hollow L.S. Shaft		H.S. Shaft				V	X	Y
				U ② +.0012 -.0000	Keyway	UA +.0000 -.0005	Key	UB	UC			
03	0.63	5.63	2.48	1.2500	0.250 x 0.127 x 4.724	0.6250	0.19 x 0.14 x 1.28	1/4	0.63	0.43	6.57	24.80
04	0.51	6.61	2.80	1.3750	0.313 x 0.150 x 5.906	0.6250	0.19 x 0.14 x 1.28	1/4	0.63	0.63	7.36	25.91
05	0.20	6.69	3.15	1.5000	0.375 x 0.175 x 6.535	0.6250	0.19 x 0.14 x 1.28	1/4	0.63	0.59	8.54	28.46
06	0.51	6.93	3.54	1.5000	0.375 x 0.175 x 7.087	0.6250	0.19 x 0.14 x 1.28	1/4	0.63	0.79	9.17	29.25
07	0.98	8.27	4.41	2.0000	0.500 x 0.230 x 8.268	0.6250	0.19 x 0.14 x 1.28	1/4	0.63	1.06	11.34	31.57
08	0.59	10.08	5.20	2.3750	0.625 x 0.281 x 9.449	0.7500	0.19 x 0.16 x 1.28	1/4	0.63	1.18	13.43	36.57
09	0.39	13.39	6.30	2.7500	0.625 x 0.287 x 11.811	0.7500	0.19 x 0.16 x 1.28	1/4	0.63	1.38	16.54	39.09
10	1.61	15.35	7.87	3.2500	0.750 x 0.341 x 13.780	0.8750	0.19 x 0.16 x 1.28	5/16	0.63	1.57	20.20	45.08
12	2.56	18.50	8.86	4.0000	1.000 x 0.446 x 16.142	0.8750	0.19 x 0.16 x 1.28	5/16	0.87	1.77	23.23	50.08

① Refer to page 5 for General Information and Reference Notes.  
 ② Size 10 & 12 tolerance is +.0014, -.0000.

# UB — Triple Reduction Gear Drive/TA Taper Bushing

Sizes 05-12

Basic Gear Drive with TA Taper Bushing, Integral Base & End-Mounted Feet



Dimensions (in)

Size ①	A	B	C	D	DA	E	F	FH	G	H	J	K	L	LA	M	NA	P	PA	PB	PC
05	5.20	1.57	1.77	1.57	3.31	5.91	0.55	4.92	7.56	5.12	1.18	3.94	4.37	1.26	7.09	1.57	6.18	1.61	3.27	4.57
06	5.51	2.17	1.77	1.89	4.06	6.30	0.55	5.91	8.19	5.51	1.18	3.54	4.37	1.46	7.09	1.57	6.69	1.77	3.54	5.04
07	7.09	2.36	2.17	2.17	4.31	7.87	0.71	5.91	10.35	6.50	1.57	4.34	4.53	1.46	8.35	1.97	7.87	1.61	4.13	5.35
08	8.35	2.99	2.76	2.99	4.81	9.17	0.91	7.68	12.17	7.09	2.17	4.92	6.30	1.46	9.84	2.36	9.06	2.03	4.72	6.56
09	10.43	3.94	2.95	3.94	5.68	11.61	1.06	9.06	15.55	9.45	2.95	6.50	7.68	1.76	11.81	3.15	11.42	2.24	5.91	7.95
10	12.40	4.33	3.74	4.53	6.06	14.17	1.34	11.02	17.91	10.63	3.74	7.28	9.17	1.76	14.17	4.33	13.39	2.41	6.89	9.10
12	14.76	4.72	4.33	4.72	6.81	16.54	1.54	11.02	21.26	12.99	4.53	9.25	11.26	1.80	15.75	4.33	15.75	2.46	8.07	10.33

Size ①	Q	R	T	Hollow L.S. Shaft	H.S. Shaft				V	X	Y
					UA + .0000 - .0005	Key	UB	UC			
05	0.20	6.69	3.15	Refer to TA Taper Bushing Dimensions on pages 45 and 46	0.7500	0.19 x 0.16 x 1.28	1/4	0.63	0.59	8.54	16.14
06	0.51	6.93	3.54		0.7500	0.19 x 0.16 x 1.28	1/4	0.63	0.79	9.17	16.93
07	0.98	8.27	4.41		0.8750	0.19 x 0.16 x 1.28	5/32	0.63	1.06	11.34	19.37
08	0.59	10.08	5.20		1.1250	0.25 x 0.20 x 2.00	3/8	0.87	1.18	13.43	24.49
09	0.39	13.39	6.30		1.3750	0.31 x 0.26 x 2.40	1/2	1.10	1.38	16.54	27.95
10	1.61	15.35	7.87		1.6250	0.38 x 0.34 x 3.69	5/8	1.42	1.57	19.88	33.70
12	2.56	18.50	8.86		2.1250	0.50 x 0.46 x 3.81	3/4	1.65	1.77	23.23	38.86

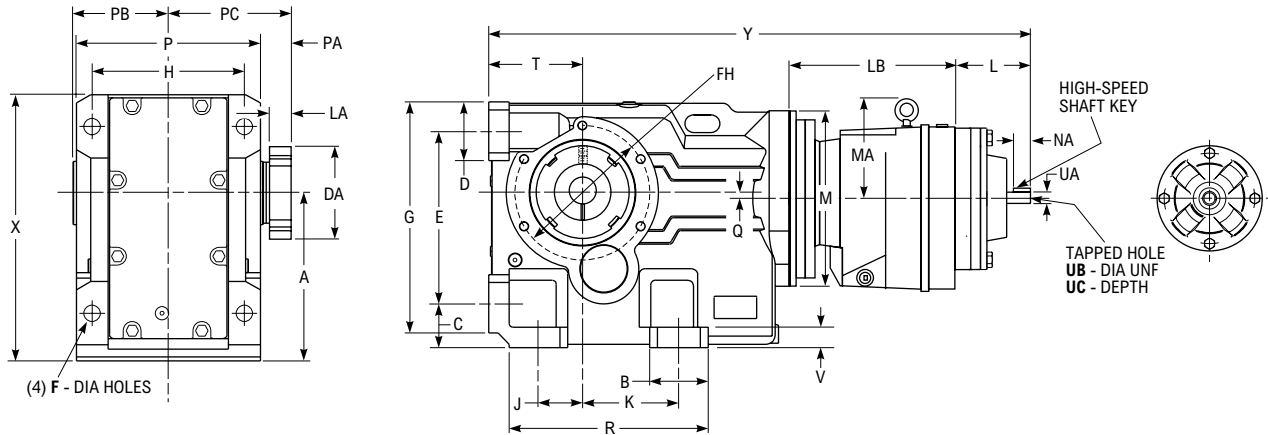
① Refer to page 5 for General Information and Reference Notes.  
 ② Size 10 & 12 tolerance is +.0014, -.0000.



# UB — Quintuple Reduction Gear Drive/TA Taper Bushing

Sizes 05-12

Basic Gear Drive with TA Taper Bushing, Integral Base & End-Mounted Feet



## Dimensions (in)

Size ①	A	B	C	D	DA	E	F	FH	G	H	J	K	L	LA	LB	M	MA	NA	P	PA	PB	PC
05	5.20	1.57	1.77	1.57	3.31	5.91	0.55	4.92	7.56	5.12	1.18	3.94	4.37	1.26	12.32	7.09	—	1.57	6.18	1.61	3.27	4.57
06	5.51	2.17	1.77	1.89	4.06	6.30	0.55	5.91	8.19	5.51	1.18	3.54	4.37	1.46	12.32	7.09	—	1.57	6.69	1.77	3.54	5.04
07	7.09	2.36	2.17	2.17	4.31	7.87	0.71	5.91	10.35	6.50	1.57	4.34	4.37	1.46	12.36	7.09	—	1.57	7.87	1.61	4.13	5.35
08	8.35	2.99	2.76	2.99	4.81	9.17	0.91	7.68	12.17	7.09	2.17	4.92	4.37	1.46	14.01	9.84	—	1.57	9.06	2.03	4.72	6.56
09	10.43	3.94	2.95	3.94	5.68	11.61	1.06	9.06	15.55	9.45	2.95	6.50	4.37	1.76	14.44	11.81	—	1.57	11.42	2.24	5.91	7.95
10	12.40	4.33	3.74	4.53	6.06	14.17	1.34	11.02	17.91	10.63	3.74	7.28	4.53	1.76	16.03	14.17	6.10	1.97	13.39	2.41	6.89	9.10
12	14.76	4.72	4.33	4.72	6.81	16.54	1.54	11.02	21.26	12.99	4.53	9.25	4.53	1.80	17.95	15.75	6.10	1.97	15.75	2.46	8.07	10.33

Size ①	Q	R	T	Hollow L.S. Shaft	H.S. Shaft				V	X	Y
					UA +.0000 -.0005	Key	UB	UC			
05	0.20	6.69	3.15	Refer to TA Taper Bushing Dimensions on pages 45 and 46	0.6250	0.19 x 0.14 x 1.28	1/4	0.63	0.59	8.54	28.46
06	0.51	6.93	3.54		0.6250	0.19 x 0.14 x 1.28	1/4	0.63	0.79	9.17	29.25
07	0.98	8.27	4.41		0.6250	0.19 x 0.14 x 1.28	1/4	0.63	1.06	11.34	31.57
08	0.59	10.08	5.20		0.7500	0.19 x 0.16 x 1.28	1/4	0.63	1.18	13.43	36.57
09	0.39	13.39	6.30		0.7500	0.19 x 0.16 x 1.28	1/4	0.63	1.38	16.54	39.09
10	1.61	15.35	7.87		0.8750	0.19 x 0.16 x 1.28	5/16	0.63	1.57	20.20	45.08
12	2.56	18.50	8.86		0.8750	0.19 x 0.16 x 1.28	5/16	0.87	1.77	23.23	50.08

① Refer to page 5 for General Information and Reference Notes.

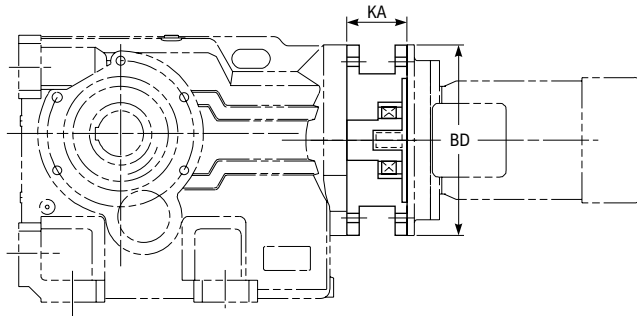
② Size 10 & 12 tolerance is +.0014, -.0000.

## UB — Accessories

### Gearmotor Backstop Module (NEMA C Flange)

Gearmotor backstop modules can be fitted between the gear drive and motor. The backstop device incorporates high-quality centrifugal lift-off sprags which are wear-free above the lift-off speed (rpm). To ensure correct operation, motor speed must exceed lift-off speed. Suitable for ambient temperatures of -40°F to 122°F (-40°C to 50°C). When a backstop module is furnished, dimension K should be added to the overall length of the gearmotor assembly.

Low-speed shaft rotation must be specified when ordering as viewed from the low-speed shaft end.



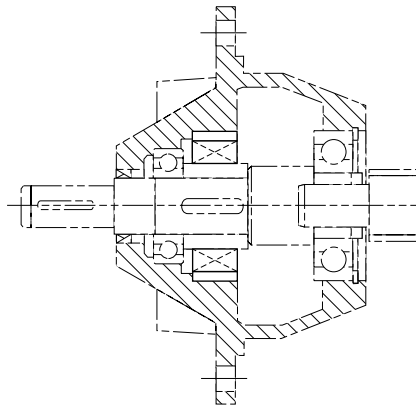
#### Dimensions (in)

Motor Frame Size	Lift-Off Speed (RPM)	Rated Locking Torque Max at Motor (lb-in)	BD	KA	Kit Part Number
182TC / 184TC	670	2655	9.00	3.75	1940888
213TC / 215 TC	670	2655	9.00	3.75	1940889
254TC / 256TC	620	8320	9.00	4.75	1940890
284TC / 286TC	620	8320	11.00	5.38	1940891
324TC / 326TC	550	11150	13.00	6.00	1940892

### Gear Drive Backstop Module (NEMA C Flange)

The gear drives listed below can be fitted with an internal backstop, which has no effect on the external drive size. The backstop device incorporates high-quality centrifugal lift-off sprags which are wear-free above the lift-off speed (rpm). Suitable for ambient temperatures of -40°F to 122°F (-40°C to 50°C).

Low-speed shaft rotation must be specified when ordering as viewed from the low-speed shaft end.

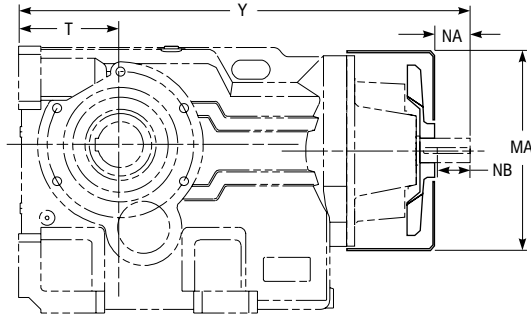


#### Dimensions (in)

Drive Size	Lift-Off Speed (RPM)	Rated Locking Torque Max at Motor (lb-in)	Kit Part Number
05	800	885	Consult Rexnord
06	800	885	
07	670	1504	
08	670	1504	
09	670	2655	
10	670	2655	
12	550	21242	

**UB — Accessories**

**Fan-Cooled Gear Drives**



**Dimensions (in)**

Drive Size	MA	NA	NB	T	Y	Kit Part Number
07	8.86	1.38	1.28	4.41	19.37	1940894
08	10.43	1.77	2.00	5.20	24.29	1940895
09	12.60	2.56	2.40	6.30	27.95	1940896
10	14.96	3.74	3.69	7.87	33.70	1940897
12	16.54	3.35	3.81	8.86	38.86	1940898

## UB — Accessories

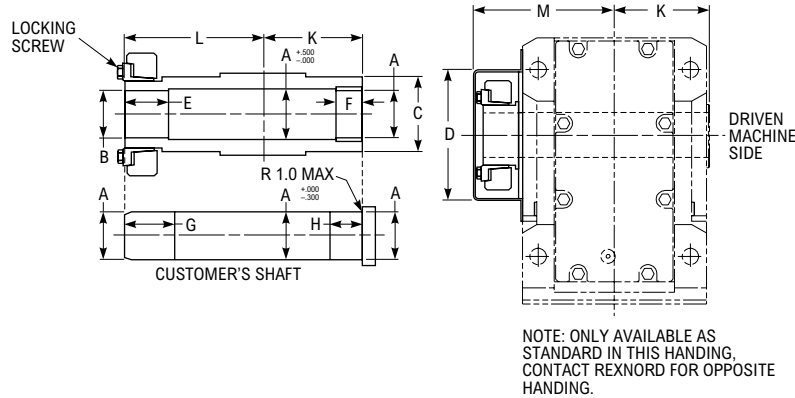
### Shrink Disc

The gear drive is fitted with a shrink disc device located on the hollow output shaft to provide a positive outer locking connection between gear drive and driven shaft. The shrink disc is a friction device, without keys, which exerts an external clamping force on the hollow output shaft, thus establishing a mechanical shrink fit between the gear drive hollow shaft and driven shaft. Shrink disc capacities have ample margins in dealing with transmitted torques and external loading imposed on gear drives.

The shrink disc consists of a locking collar, tapered inner ring and locking screws. By tightening the locking screws, the locking collar and tapered inner ring are pulled together, exerting radial forces on the inner ring, thus creating a positive friction connection between hollow shaft and driven shaft.

As the tapered surfaces of locking collar and inner ring are lubricated with Molykote 321R or similar and the taper angle is not self-locking, locking collar will not seize on the inner ring and can be released easily when removal is necessary.

When the shrink disc is clamped in position, the high contact pressures between tapered surfaces and screw heads and their seatings ensure hermetic sealing and eliminate the possibility of fretting corrosion.



### Dimensions (in)

Size ①	A	B		C	D	E	F	G	H	K	L	M	Locking Screws Torque (lb-in)
		(in)	(mm)										
03	1.181	1.181	30	1.97	3.48	1.22	0.79	1.42	0.98	2.36	3.39	3.58	257
04	1.378	1.378	35	2.17	4.25	1.26	0.79	1.46	0.98	2.95	4.02	4.45	257
05	1.575	1.575	40	2.36	4.25	1.42	0.79	1.61	0.98	3.27	4.41	4.65	257
06	1.575	1.575	40	2.76	5.24	1.50	0.79	1.69	0.98	3.54	4.65	5.51	257
07	1.969	1.969	50	3.15	5.24	1.42	1.18	1.61	1.38	4.13	5.35	5.98	310
08	2.559	2.559	65	3.54	6.38	1.61	1.57	1.81	1.77	4.72	6.34	6.89	515
09	2.953	2.953	75	3.94	6.89	2.17	1.57	2.36	2.17	5.91	7.68	8.27	515
10	3.740	3.740	95	4.72	7.87	2.56	2.36	2.76	2.56	6.89	9.06	9.65	885
12	4.134	4.134	105	5.51	9.45	3.35	2.36	3.54	2.95	8.07	11.02	11.61	1415

① Refer to **page 5** for General Information and Reference Notes.

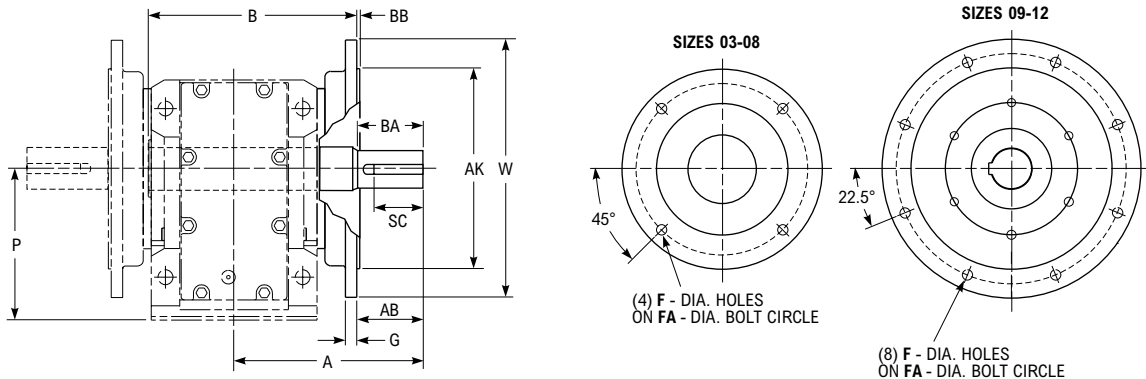
## UB — Accessories

### Output Flange & Output Shaft Kits

08UBF — Standard Output Flange

08UBFB — Single-Ended L.H. Output Shaft

08UBFC — Single-Ended R.H. Output Shaft



#### Dimensions (in)

Size ①	A	AB	AK	B	BA	BB	F	FA	G	P	SC	W	Output Flange Kit Part Number	Output Shaft Kit Part Number Single Extension L.H. or R.H. Used with Output Flange Drive Only
03	5.28	1.97	4.33 j6	5.67	1.97	0.14	0.35	5.12	0.39	3.94	1.57	6.30	1940547	1940972
04	6.89	2.36	5.12 j6	7.48	2.36	0.14	0.43	6.50	0.47	4.41	1.97	7.87	1940548	1940973
05	6.93	2.76	7.09 j6	7.44	2.76	0.16	0.55	8.46	0.63	5.20	2.36	9.84	1940981	1940974
06	8.27	3.15	7.09 j6	8.66	3.15	0.16	0.55	8.46	0.63	5.51	2.76	9.84	1940982	1940975
07	9.53	3.94	9.06 j6	9.72	3.94	0.16	0.55	10.43	0.71	7.09	3.15	11.81	1940983	1940976
08	11.22	4.72	9.84 h6	11.22	4.72	0.20	0.71	11.81	0.71	8.35	3.94	13.78	1940551	1940977
09	13.43	5.51	13.78 h6	13.82	5.51	0.20	0.71	15.75	0.79	10.43	4.33	17.72	1940552	1940978
10	15.96	6.69	13.78 h6	16.16	6.69	0.20	0.71	15.75	0.87	12.40	5.51	17.72	1940779	1940979
12	18.72	8.27	13.78 h6	18.52	8.27	0.20	0.71	15.75	0.87	14.76	7.09	17.72	1940779	1940980

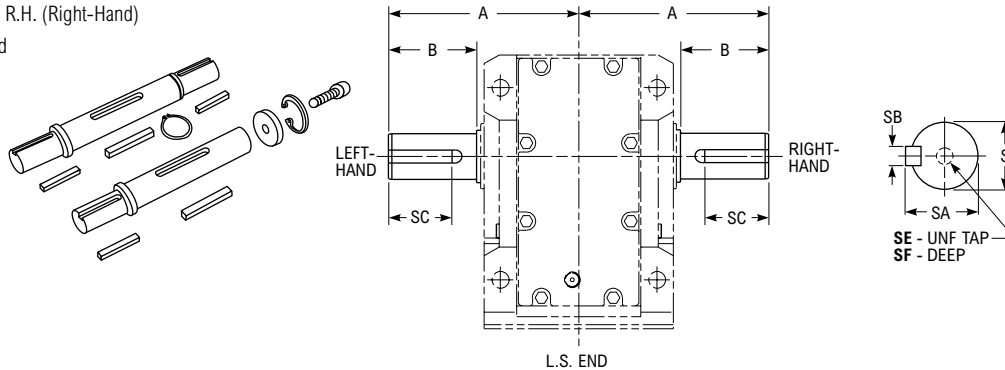
### Output Shaft Kits — Single- & Double-Ended When Viewed from L.S. End

**NOTE:** When L.S.S. is to be mounted, indicate L.H. or R.H. when viewing drive from L.S. end.

08UBBB — Single-Ended L.H. (Left-Hand)

08UBBC — Single-Ended R.H. (Right-Hand)

08UBBD — Double-Ended



#### Dimensions (in)

Drive Size ①	A	B		SC		SE	SF	Single Extension			Double Extension			Output Shaft Kit Part Number Single Extension L.H. or R.H.	Output Shaft Kit Part Number Double Extension
		Single Extension	Double Extension	Single Extension	Double Extension			S +.0000 -.0010	SA	SB	S +.0000 -.0010	SA	SB		
03	4.33	1.85	1.85	1.4375	1.4375	3/8	0.75	1.0000	1.106	0.2500	1.0000	1.106	0.2500	1940962	1940967
04	5.31	2.20	2.20	2.0000	2.0000	1/2	1.13	1.2500	1.359	0.2500	1.2500	1.359	0.2500	1940963	1940968
05	6.02	2.60	2.60	2.3750	2.3750	5/8	1.50	1.3750	1.507	0.3125	1.3750	1.507	0.3125	1940964	1940969
06	6.73	3.00	3.00	2.3750	2.3750	5/8	1.50	1.6250	1.784	0.3750	1.4996 ②	1.664	0.3750	1940965	1940970
07	8.11	3.74	3.74	2.7500	2.7500	5/8	1.50	2.0000	2.228	0.5000	2.0000	2.228	0.5000	1940966	1940971
08	9.45	4.49	4.49	3.6875	3.6875	3/4	1.65	2.3750	2.65	0.6250	2.3746 ③	2.65	0.6250	1940658	1940659
09	11.46	5.32	5.32	4.6250	3.6875	3/4	1.65	2.8750	3.20	0.7500	2.6250	3.03	0.6250	1940663	1940664
10	13.66	6.77	6.42	5.9375	4.6250	3/4	1.65	3.6250	4.01	0.8750	3.1250	3.45	0.7500	1940786	1940787
12	16.46	8.39	7.87	6.5000	6.5000	1	2.17	4.3750	4.81	1.0000	3.8750	4.31	1.0000	1940789	1940790

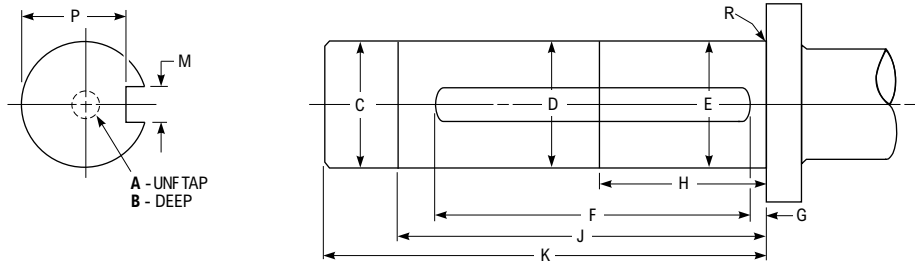
① Refer to page 5 for General Information and Reference Notes.

② Tolerance is +.0000, -.0006.

③ Tolerance is +.0000, -.0007.

## UB — Accessories

### Customer Shaft

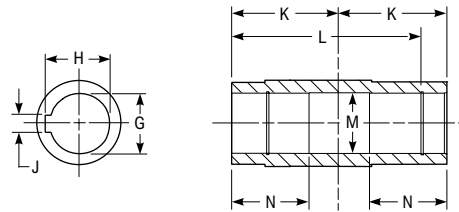


### Dimensions (in)

Drive Size ①	A	B	C	D	E	F	G	H	J	K	M	P	R
03	3/8	0.875	1.2496 1.2490	1.23	1.2496 1.2490	3.00	0.12	1.77	2.64	3.23	0.2520 0.2500	1.112 1.106	0.030
04	1/2	1.25	1.3746 1.3740	1.36	1.3746 1.3740	3.56	0.12	2.36	3.50	4.29	0.3145 0.3125	1.201 1.195	0.030
05	5/8	1.69	1.4996 1.4990	1.48	1.4996 1.4990	3.63	0.12	2.36	3.62	4.41	0.3770 0.3750	1.289 1.283	0.030
06	5/8	1.69	1.4996 1.4990	1.48	1.4996 1.4990	4.00	0.12	2.95	3.98	4.96	0.3770 0.3750	1.289 1.283	0.030
07	5/8	1.42	1.9996 1.9990	1.98	1.9996 1.9990	5.00	0.12	3.54	4.84	6.02	0.5020 0.5000	1.718 1.712	0.030
08	3/4	1.65	2.3746 2.3739	2.35	2.3746 2.3739	5.00	0.12	3.54	5.63	6.81	0.6270 0.6250	2.021 2.006	0.030
09	3/4	1.65	2.7496 2.7489	2.73	2.7496 2.7489	5.35	0.12	4.13	7.75	9.13	0.6270 0.6250	2.402 2.387	0.030
10	3/4	1.65	3.2495 3.2486	3.23	3.2495 3.2486	6.75	0.20	4.72	9.26	10.83	0.7520 0.7500	2.831 2.816	0.030
12	1	2.00	3.9995 3.9986	3.98	3.9995 3.9986	7.50	0.39	5.91	10.90	12.87	1.0020 1.0000	3.436 3.421	0.030

① Refer to **page 5** for General Information and Reference Notes.

### Hollow Output Shaft

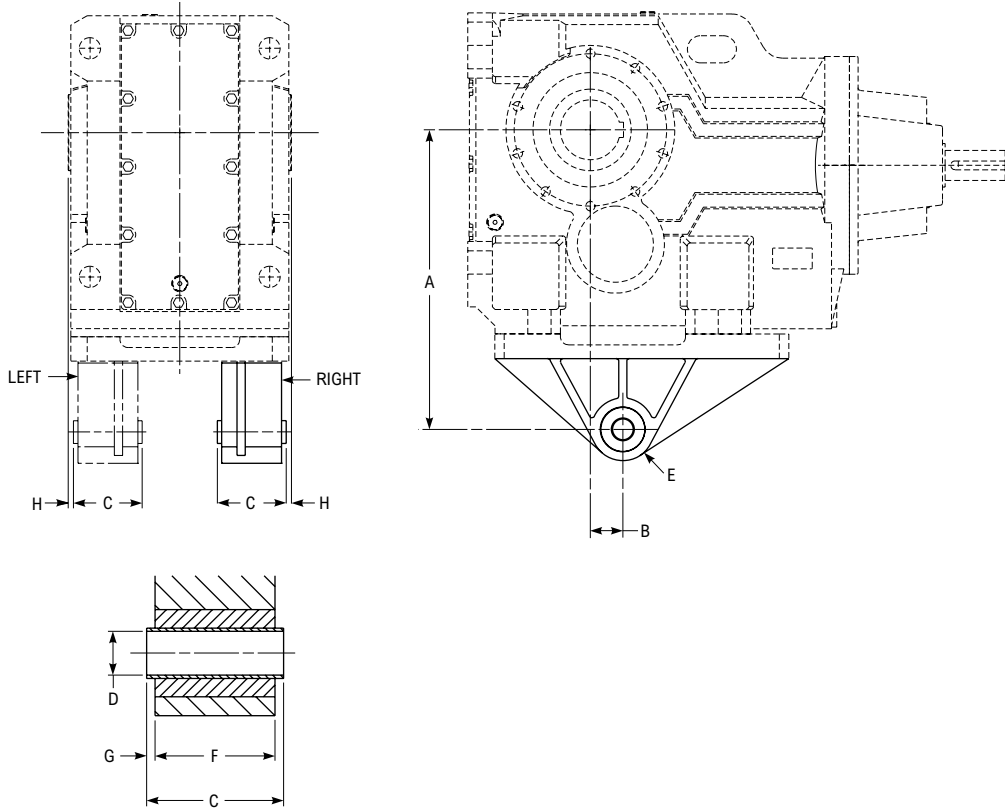


### Dimensions (in)

Drive Size	G	H	J	K	L	M	N
03	1.251 1.250	1.377	0.250	2.362	4.13	1.26	2.07
04	1.376 1.375	1.525	0.3125	2.953	5.12	1.38	2.60
05	1.501 1.500	1.675	0.375	3.2675	5.59	1.51	2.87
06	1.501 1.500	1.675	0.375	3.5435	6.14	1.51	3.15
07	2.001 2.000	2.230	0.500	4.134	7.20	2.02	3.64
08	2.3762 2.3750	2.656	0.625	4.7245	8.268	2.382	4.134
09	2.7512 2.7500	3.037	0.625	5.9055	10.630	2.772	5.217
10	3.2514 3.2500	3.591	0.750	6.890	12.323	3.268	6.102
12	4.0014 4.0000	4.446	1.000	8.071	14.685	4.020	7.087

## UB — Accessories

### Torque Arm Bracket



#### Dimensions (in)

Drive Size	A	B	C	D +.020 -.000	E	F	G	H	Kit Part Number	
									Right	Left
03	5.51	0.93	1.42	0.406	0.79	1.26	0.08	0.79	1940984	1940985
04	6.30	1.18	1.42	0.406	0.79	1.26	0.08	0.79	1940986	1940986
05	7.56	1.57	2.36	0.642	1.38	2.20	0.08	0.71	1940987	1940988
06	7.87	1.77	2.36	0.642	1.38	2.20	0.08	0.98	1940989	1940989
07	9.84	2.07	2.36	0.642	1.38	2.20	0.08	0.98	1940990	1940990
08	11.81	2.36	3.15	0.974	1.57	2.76	0.20	1.18	1940660	1940660
09	13.78	2.76	3.94	0.974	1.57	3.54	0.20	1.57	1940665	1940665
10	17.72	2.91	3.94	0.974	1.57	3.54	0.20	1.77	1940788	1940788
12	21.65	2.36	4.96	1.486	2.28	4.33	0.31	0.39	1940791	1940791

### UB — Drive Mounting Bolts

#### Max Permissible Size

Drive Size	Metric Bolt	Inch Bolt
03	M10	0.375
04	M10	0.375
05	M12	0.500
06	M12	0.500
07	M16	0.625
08	M20	0.750
09	M24	1.000
10	M30	1.250
12	M36	1.500

#### Torque Arm Load Reaction (lbs) ①

Drive Size	Maximum Load (lbs)
03	715
04	1215
05	1515
06	1810
07	2910
08	3985
09	5430
10	7160
12	10010

#### Torque Arm Anchoring Fasteners

Drive Size	Metric Fastener	Inch Fastener
03	M10	0.375-16UNC
04	M10	0.375-16UNC
05	M16	0.625-11UNC
06	M16	0.625-11UNC
07	M24	0.875-9UNC
08	M24	0.875-9 UNC
09	M24	0.875-9 UNC
10	M24	0.875-9 UNC
12	M36	1.375-6 UNC

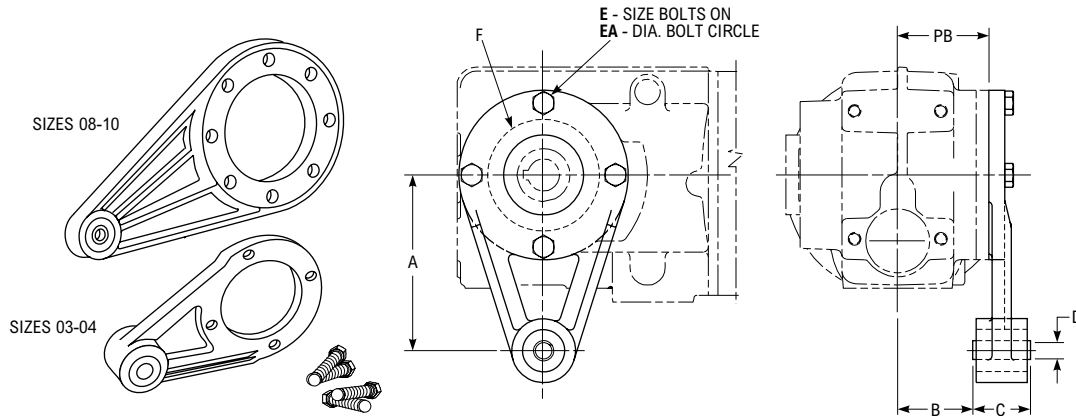
① Based on worst case loading conditions, consult Factory for loads based on specific application data.



## UB — Accessories

### Torque Arm Kits

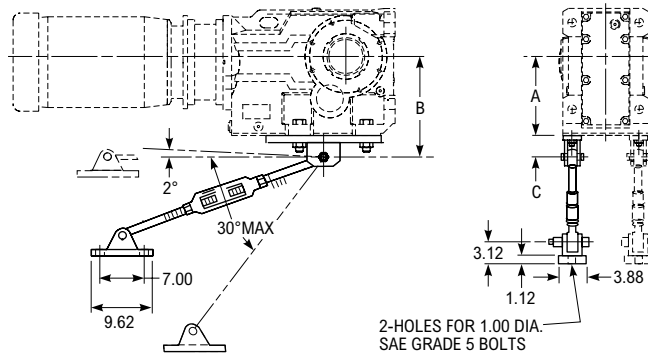
#### Drive with Banjo Torque Arm



#### Dimensions (in)

Drive Size ①	A	B	C	D	E	EA	F (Register Dia)	PB	Kit Part Number Sizes 03-06	Kit Part Number Sizes 07-09
03	5.12	2.05	1.42	0.41	8 x M8	4.21	3.3461/3.3452	2.44	1940571	—
04	6.30	2.05	1.42	0.41	8 x M8	5.12	4.1335/4.1326	2.44	1940572	—
08	12.20	3.37	2.36	0.65	8 x M12	7.68	—	4.72	—	1940575
09	14.96	3.86	3.15	0.98	6 x M16	9.06	—	5.67	—	1940576
10 & 12	16.93	5.39	3.15	0.98	10 x M16	11.02	—	6.55	—	1940782

#### Heavy-Duty Torque Arm Bracket/Tie Rod Combo



#### Dimensions (in)

Drive Size ①	A	B	C	Bracket Part Number	Tie Rod Part Number
08	8.35	11.81	3.46	7292226	0785271
09	10.43	13.78	3.35	7292217	0785271
10	12.40	17.71	5.31	7292225	0785271
12	14.76	21.65	6.89	7292227	0785271

① Refer to **page 5** for General Information and Reference Notes.

# UB — Approximate Shipping Weights

## Weights (lb)

Drive Size	Motor Frame Size																
	56C	143TC	145TC	182TC	184TC	213TC	215TC	254TC	256TC	284TC	286TC	324TC	326TC	364TC	365TC	404TC	405TC
	<b>Gearmotor without Motor</b>																
03UB3	38	38	38	41	—	—	—	—	—	—	—	—	—	—	—	—	—
03UB5	57	57	57	60	—	—	—	—	—	—	—	—	—	—	—	—	—
04UB3	50	50	50	52	—	—	—	—	—	—	—	—	—	—	—	—	—
04UB5	68	68	68	71	—	—	—	—	—	—	—	—	—	—	—	—	—
05UB3	69	69	69	84	84	—	—	—	—	—	—	—	—	—	—	—	—
05UB5	99	99	99	102	—	—	—	—	—	—	—	—	—	—	—	—	—
06UB3	86	86	86	102	102	—	—	—	—	—	—	—	—	—	—	—	—
06UB5	117	117	117	119	—	—	—	—	—	—	—	—	—	—	—	—	—
07UB3	129	129	129	142	142	142	142	142	—	—	—	—	—	—	—	—	—
07UB5	157	157	157	160	160	—	—	—	—	—	—	—	—	—	—	—	—
08UB3	257	257	257	265	265	265	265	265	265	—	—	—	—	—	—	—	—
08UB5	307	307	307	323	323	323	323	—	—	—	—	—	—	—	—	—	—
09UB3	—	—	—	388	388	388	388	388	388	423	423	423	423	—	—	—	—
09UB5	434	434	434	450	450	450	450	—	—	—	—	—	—	—	—	—	—
10UB3	—	—	—	664	664	664	664	664	664	699	699	699	699	—	—	—	—
10UB5	710	710	710	723	723	723	723	—	—	—	—	—	—	—	—	—	—
12UB3	—	—	—	971	971	983	983	983	983	983	983	996	996	996	996	1027	1027
12UB5	1063	1063	1063	1076	1076	1076	1076	1076	1073	—	—	—	—	—	—	—	—
	<b>Gearmotor with Motor</b>																
03UB3	63	72	79	100	—	—	—	—	—	—	—	—	—	—	—	—	—
03UB5	82	91	98	119	—	—	—	—	—	—	—	—	—	—	—	—	—
04UB3	75	84	91	112	—	—	—	—	—	—	—	—	—	—	—	—	—
04UB5	93	102	109	130	—	—	—	—	—	—	—	—	—	—	—	—	—
05UB3	94	103	110	131	159	—	—	—	—	—	—	—	—	—	—	—	—
05UB5	124	133	140	161	—	—	—	—	—	—	—	—	—	—	—	—	—
06UB3	111	120	127	148	177	—	—	—	—	—	—	—	—	—	—	—	—
06UB5	142	151	158	179	—	—	—	—	—	—	—	—	—	—	—	—	—
07UB3	154	163	170	191	217	265	281	391	—	—	—	—	—	—	—	—	—
07UB5	182	191	198	219	235	—	—	—	—	—	—	—	—	—	—	—	—
08UB3	282	291	298	327	340	388	404	514	547	—	—	—	—	—	—	—	—
08UB5	332	341	348	—	—	—	—	—	—	—	—	—	—	—	—	—	—
09UB3	—	—	—	450	463	511	527	637	670	780	774	884	1073	—	—	—	—
09UB5	459	468	475	496	509	—	—	—	—	—	—	—	—	—	—	—	—
10UB3	—	—	—	726	739	787	803	913	946	1056	1050	1160	1314	—	—	—	—
10UB5	735	744	751	785	798	—	—	—	—	—	—	—	—	—	—	—	—
12UB3	—	—	—	1033	1046	1106	1122	1232	1265	1375	1299	1409	1646	—	—	—	—
12UB5	1088	1097	1104	1138	1151	1199	1215	—	—	—	—	—	—	—	—	—	—

Drive Size	Gear Drive
03UB3	35
03UB5	53
04UB3	46
04UB5	64
05UB3	71
05UB5	95
06UB3	88
06UB5	112
07UB3	134
07UB5	154
08UB3	249
08UB5	306
09UB3	384
09UB5	434
10UB3	675
10UB5	708
12UB3	1010
12UB5	1069

Drive Size	Accessories (Add to Gearmotor or Gear Drive Weight)	
	Output Flange	Output Shaft
03UB3	3	2
03UB5	3	2
04UB3	6	2
04UB5	6	2
05UB3	9	3
05UB5	9	3
06UB3	12	4
06UB5	12	4
07UB3	15	8
07UB5	15	8
08UB3	33	13
08UB5	33	13
09UB3	37	24
09UB5	37	24
10UB3	27	41
10UB5	57	41
12UB3	57	76
12UB5	57	76



866-REXNORD/866-739-6673 (Within the U.S.)  
414-643-2366 (Outside the U.S.)  
[www.rexnord.com](http://www.rexnord.com)

## Why Choose Rexnord?

When it comes to providing highly engineered products that improve productivity and efficiency for industrial applications worldwide, Rexnord is the most reliable in the industry. Commitment to customer satisfaction and superior value extend across every business function.

### Delivering Lowest Total Cost of Ownership

The highest quality products are designed to help prevent equipment downtime and increase productivity and dependable operation.

### Valuable Expertise

An extensive product offering is accompanied by global sales specialists, customer service and maintenance support teams, available anytime.

### Solutions to Enhance Ease of Doing Business

Commitment to operational excellence ensures the right products at the right place at the right time.