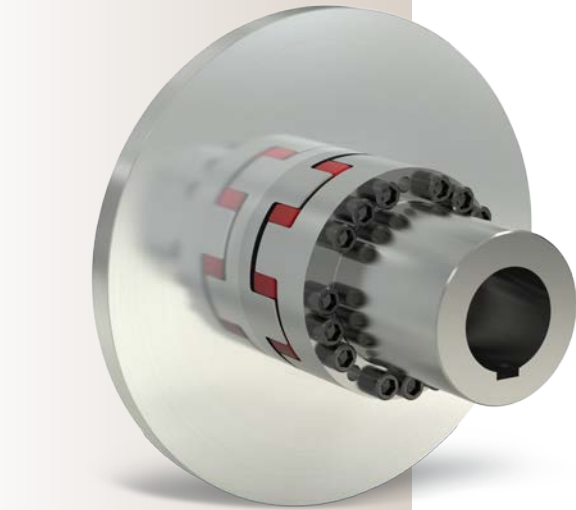


I N T R O D U C I N G

Curved Jaw Flange K45 Series

Guardian Couplings
Torsionally Flexible Coupling

NEW



General shaft-to-shaft coupling, for industrial applications, with bolt on brake disc for brake calipers.

Brake disc and spider can be replaced while being assembled

The brake disc has to be placed onto the shaft end with the largest mass moment of inertia

The maximum braking torque must not exceed the maximum torque of the coupling

Application

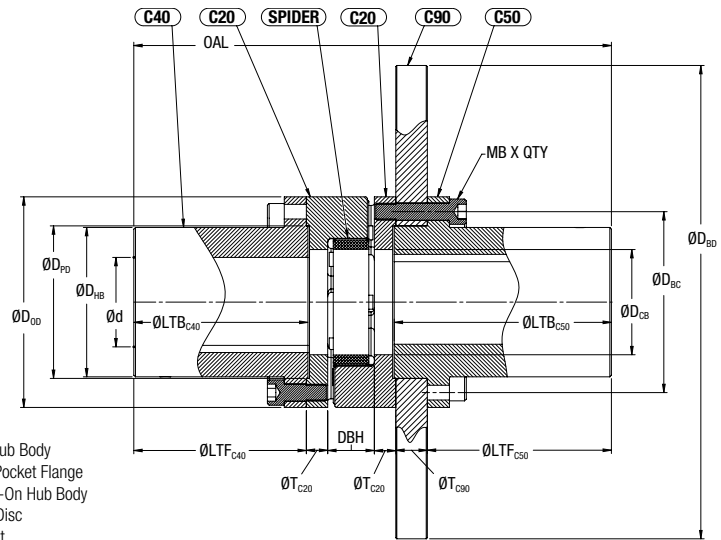
- Industrial Overhead Cranes

Benefits

- Brake disk and flexible element can be replaced in-place, without moving equipment
- Various brake disk sizes available for each coupling size
- Coupling accommodates misalignment between drive and driven equipment



Torsionally Flexible Coupling



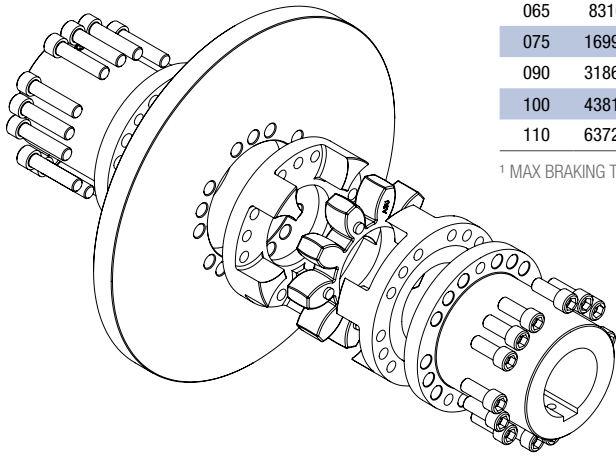
Components Key

- C40 Long Bolt-On Hub Body
- C20 Small Bolt-On Pocket Flange
- C50 Brake Disc Bolt-On Hub Body
- C90 Bolt-On Brake Disc
- SPIDER Flexible Element

Curved Jaw Flange K45 Series													
Size	Dimensions (in.)												
	Finish Bore d		ØD _{OD}	ØD _{HB}	ØD _{PD H7/h7}	ØD _{BC}	ØD _{CB}	DBH	BSE	MB	QTY	Pitch	TA (Nm)
	MIN	MAX											
065	0.87	2.95	5.32	3.70	3.780	4.567	2.68	1.369	2.56	M10	12	16x22.5	83
075	1.00	3.54	6.30	4.25	4.409	5.354	3.15	1.534	2.96	M12	15	20x18	120
090	1.50	3.94	7.88	5.59	5.709	6.772	3.94	1.746	3.23	M16	15	20x18	295
100	2.00	4.33	8.86	6.22	6.496	7.677	4.45	1.966	3.82	M16	15	20x18	295
110	2.27	4.92	10.00	7.01	7.087	8.583	5.00	2.140	4.06	M20	15	20x18	580

Curved Jaw Flange K45 Series													
Size	Torque w/ 98Sha		Max Speed (RPM)	Max Braking Torque ¹ (IN-LBS)	Dimensions (in.)								
	T _n	T _{max}			T _{C20}	LTF _{C40}	LTF _{C40}	LTF _{C50}	LTF _{C50}	BDL	OAL		
	065	8310	16630	3450	8310	0.63	4.43	4.47	6.54	5.32	5.91	13.56	
075	16990	33980	3250	16990	0.77	5.18	5.24	6.56	5.32	5.91	14.74		
090	31860	63720	3000	31860	0.80	6.46	6.52	8.13	6.89	7.48	17.87		
100	43810	87620	2800	43810	0.99	6.04	6.10	8.13	6.89	7.48	18.05		
110	63720	127450	2600	63720	1.04	7.93	8.01	8.35	7.08	7.67	20.41		

¹ MAX BRAKING TORQUE MUST NOT EXCEED THE MAXIMUM COUPLING TORQUE



Curved Jaw Flange K45 Series							
Size	Brake Disc - ØD _{BD} X T _{C90}						
	355x30	400x30	450x30	500x30	560x30	630x30	710x30
065	X	X	X				
075		X	X	X			
090			X	X	X	X	
100				X	X	X	
110					X	X	X