



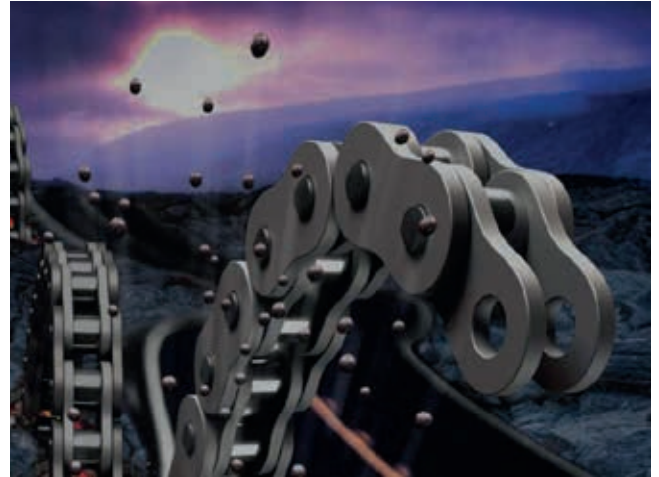
ENVIRONMENTAL PRODUCTS





A Pioneer in the Industrial Chain Business

As a pioneer in the industrial chain business, MAXCO Chain began manufacturing industrial cast chains in 1911 as Tobata Foundry Co. in Japan. In 1956 we became part of the Hitachi Group and in 1972 Hitachi Chain Ltd. was established. The industrial chain business is the foundation on which the company was built and in 1987 when we added our Building Solutions business we became Hitachi Metals Techno, Ltd.



In 2016 the company separated from the Hitachi group to become SENQCIA Corporation. In 2021 the company changed ownership and changed our name to MAXCO Chain. MAXCO Chain supplies industrial roller chain, engineering class chain and wastewater treatment chains and components to North America, Central America, South America and Europe.

Quality Mission

Our Inspire Series® SBR® chains possess the highest-rated working loads in the world. Our ULTRA-MAX® brand is a premium performance solid bushing-solid roller series and our popular HI-MAX® brand delivers solid performance at an economical price.

In addition to industrial roller chains, MAXCO Chain manufactures large pitch Engineering Class chain products as well as a full line of chains and components for use in the wastewater treatment industry. Our SAV® stainless steel collector chains are specified in major municipalities throughout North America. In addition, we supply non-metallic chains, sprockets, and other components for use in wastewater treatment facilities.

Whether for Power Transmission, Conveying, or the treatment of our most treasured resource, water, count on MAXCO Chain to provide the ultimate in value and performance and continue on as a Pioneer, taking our next steps forward.

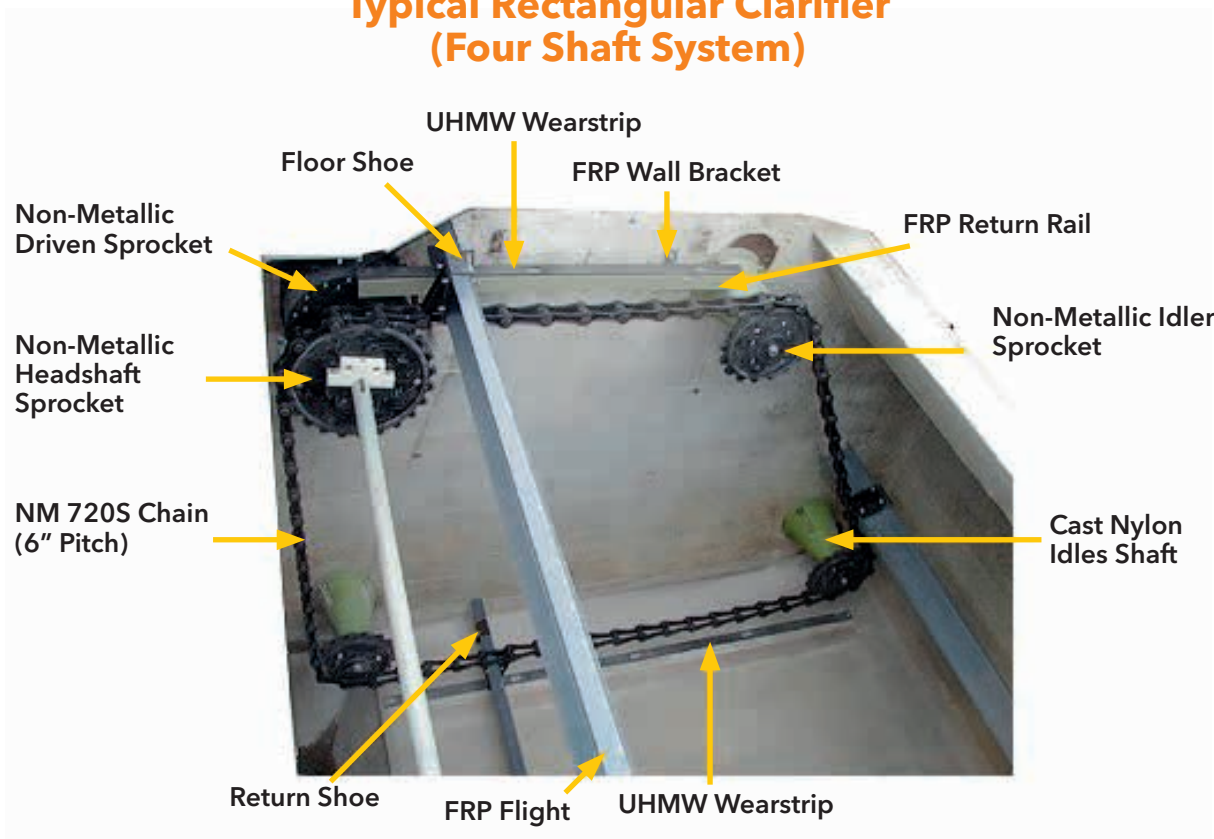


MAXCO CHAIN, Ltd. offers a wide variety of products and components for use with every type of wastewater treatment facility equipment.

Our extensive research into manufacturing methods plus many field tests conducted at plants across the nation has resulted in products of proven safety and quality.

We accept the challenge of commitment to our demonstrated design expertise and product innovation.

Typical Rectangular Clarifier (Four Shaft System)



NM720S Non-Metallic Chain



Maxco's latest generation of Non-Metallic 6" pitch collector chain features extremely high strength and significant advantages in durability for better service life and a broader range of application capability including DAF, API and Grit collector service. Directly interchangeable with any 720 type chain, the NM720S is ideal for retro-fit or rehab of existing clarifiers.

Maxco NM720S Collector Chain

- Acetal Link - Reinforced Nylon Pin
- Positive Locking Pin
- High Strength
- Excellent UV Resistance

The acetal resin link is far more resilient and resistant to bending forces and lacks the brittleness usually associated with glass reinforced chains.

Blank F-226 and F-228 attachment links are available for custom bolt hole patterns drilled at customer request.



6" Pitch NM720S Collector Chain operates with any 720S sprocket.

Ideal replacement for cast chain, interchangeable with both plastic and cast chain. Will work with rectangular clarifier sprockets, flights and chain components.



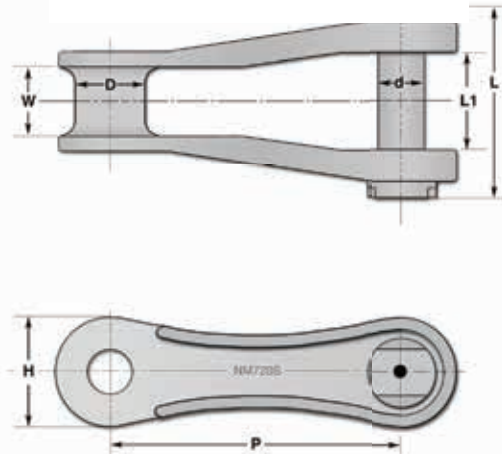
F-226 & F-228 Attachment Links available

NM720S Non-Metallic Chain

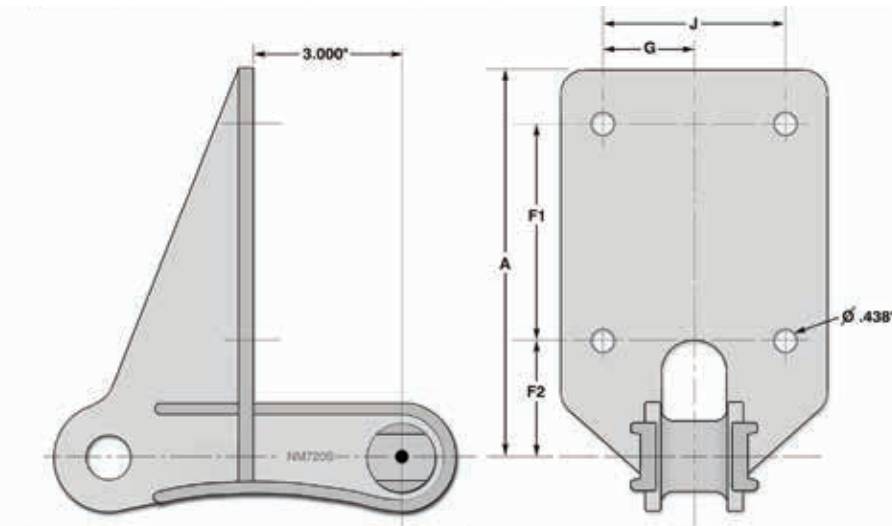


Technical Details

NM 720S Collector Chain



Chain No.	Units	Pitch P	Minimum Ultimate Strength	Weight	Barrel		Pin			Link	Side Bar	
					Outside Dia D	Width W	Outside Dia d	Material	Length L	Material	Height H	Inside Width L1
NM720S	inch	6,000	5500 lbs	1,6 lbs/ft	1,438	1,375	0,932	Glass Filled Nylon	3,892	Unfilled Acetal	2,250	2,016
	mm	152,40	24,47 kN	2,38 kg/m	36,53	34,93	23,67		98,86		57,15	51,21



Flight Attachments

NM720S Chain is available with F-226 and F-228 Attachments. The Acetal resin resists breaking under torsional loading due to its lack of brittle characteristics, a common problem with Polyester or Glass Filled Chains. The flight attachments are also capable of handling high service loads and are ideal for use with HMAX Standard, Hi-Strength, Extreme Duty FRP and HMAX Aluminium flights.

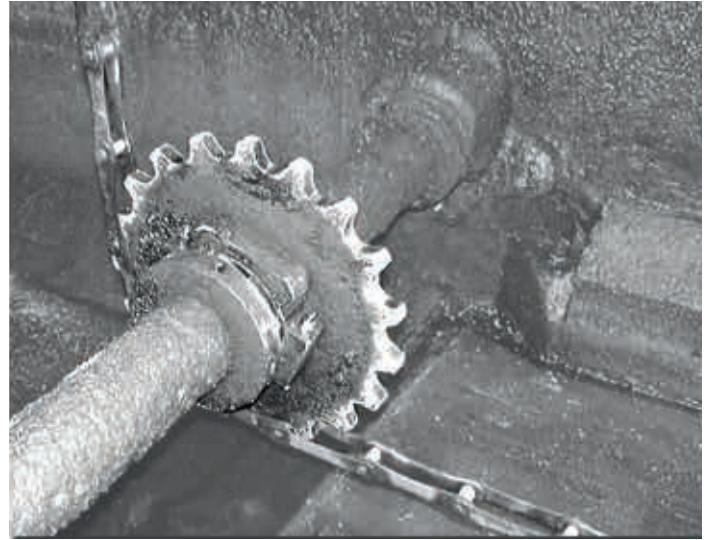
Flight Attachment Size	Units	Height A	Dimension F1	Dimension F2	Dimension J	Dimension G
F-228	inch	8,000	4,500	2,375	3,750	1,875
	mm	203,20	114,30	60,33	95,25	47,63
F-226	inch	6,125	2,625	2,375	3,750	1,875
	mm	155,58	66,68	60,33	95,25	47,63

SAV715 Stainless Steel Chain



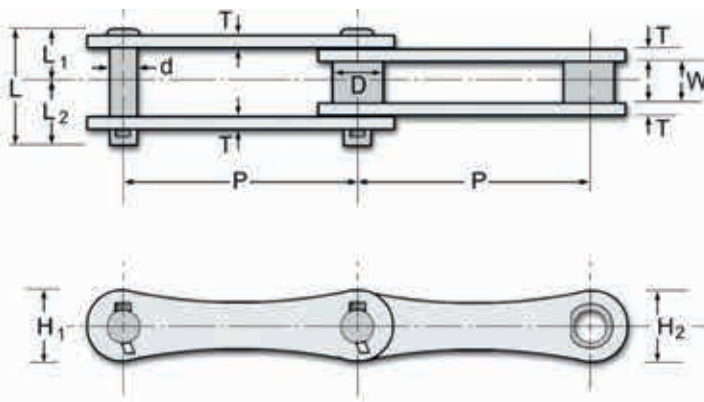
- Strong
- Lightweight
- 403 stainless steel

SAV715 Collector Chain



SAV715 Chain, the first stainless steel curved sidebar chain equivalent. Lightweight, yet with a higher strength-to-weight ratio than cast chain, SAV715 is fabricated of 403 stainless steel and has been proven superior for high load applications and has readily available several common attachment link designs for Bar Screen and Grit Collector requirements.

The SAV715 is the result of innovative design and the application of unique metals technology providing a collector chain of unmatched service life and application potential for a wide range of service requirements. With over 4,000,000 feet of chain in service worldwide and a typical service life measured in decades, the SAV715 is the ideal chain for collector chain service.



Dimensions and Strength of SAV715 Chain

Chain No.	Units	Pitch P	Min. Ultimate Strength	Min Weight	Barrel (min.)		Pin			Side Bars (min.)				
					Outside Dia. D	Width W	Dia. d	Lenght			Pin Link		Bushed Link	
								L	L1	L2	H1	T	H2	T
SAV 715	inch	6,00	29000 lbs	3,7 lbs/ft	3,7	1,015	0,569	2,843	1,281	1,562	1,54	0,224	1,85	0,224
	mm	152,40	129,00 kN	5,51 kg/m	93,98	25,78	14,45	72,21	32,54	39,67	39,12	5,69	46,99	5,69



Sprockets



Non-Metallic Chains



Stainless Chains



Fiberglass Flights

SAV715 Stainless Steel Chain



SAV715 Chain is adaptable to a wide range of wastewater applications from rectangular clarifier to grit collection, bar screens, DAF and API service. The SAV715 handles the most demanding applications without problem. SAV chains feature a 304 grade stainless steel „J” cotter for easy assembly of the chain. Also available from MAXCO Chain for SAV715 is the Hybrid Replaceable tooth sprocket. Hardened stainless steel teeth resists grit and other abrasives, yet the individual tooth sections are easily replaced and can be done with simple tools. The chain does not need to be broken apart to perform the taskless intrusive than having to replace entire sprockets or segments. Assembles with 316 stainless steel hardware.

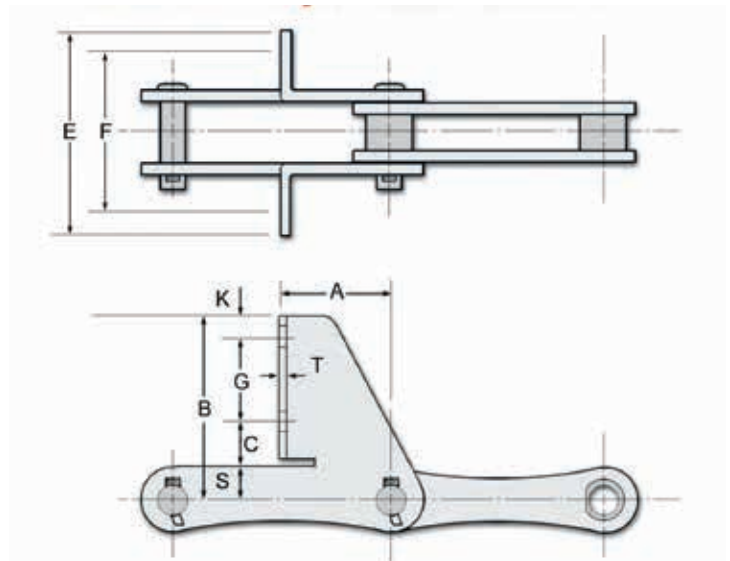


SAV715 Hybrid Sprocket



Replaceable Individual Teeth
Hardened 410 Stainless Steel
Steel or Non-Metallic Hub

SAV715 „F” Style Attachment Link



Dimensions of SAV715 „F” Attachment

Attachment Part No.	Units	Dimension										Attachment Nominal Weight
		A	B	C	E	F	G	K	S	T	Ø	
F-226/715	inch	3	6,1093	1,50	5,50	3,75	2,625	1,093	0,890	0,234	0,437	4,5 lbs/ea
	mm	76,20	155,18	38,10	139,70	95,25	66,68	27,76	22,61	5,94	11,10	2,04 kg/pcs
F-228/715	inch	3	7,875	1,484	5,5	3,75	4,5	1	0,890	0,234	0,437	5,4 lbs/ea
	mm	76,20	200,03	37,69	139,70	95,25	114,30	25,40	22,61	5,94	11,10	2,45 kg/pcs

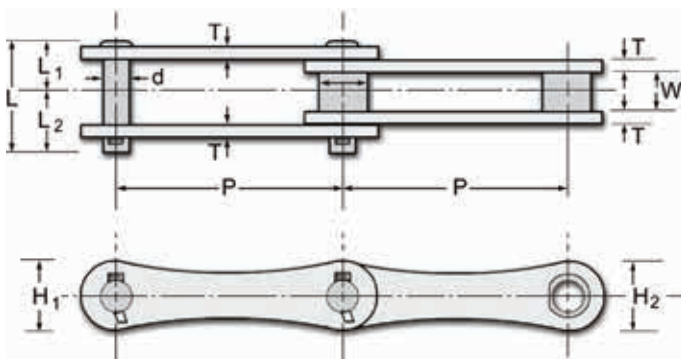
also available With AM116, AD474, D-22, K-2, A-2, and A-42 attachments

SAV709 Stainless Steel Chain



SAV709 chain was designed as an economical stainless steel chain alternative to Non-Metallic and Cast Chain for rectangular clarifier usage. Maintaining the same materials and design as SAV715, the primary difference between the two chains is the SAV709 chain's ability to run on standard 720 series sprockets. The chain can be used with fiberglass or wooden flights. No special modifications to the existing system or tank layouts is required.

403 Stainless Steel
Direct Interchange with
720 Non-Metallic and Cast Chains
Lightweight (2.2 Lbs)
„J” Cotter Assembly



SAV 709 Key Features

Average Ultimate Strength of 19,000 lbs. makes the SAV709 comparable to even high strength composite chains. The 403 stainless steel material has over 35 years of proven experience in wastewater treatment chain applications. Special manufacturing processes provide a chain with unmatched resistance to abrasion and corrosion resulting in extended service life. The light weight offers ease of installation and requires very little maintenance. SAV709 can be used with Non-Metallic, steel or cast iron sprockets

Chain No.	Units	Pitch P	Average Ultimate Strength	Weight	Barrel		Pin			Side Bars				
					Outside Dia. D	Width W	Dia. d	Length			Pin Link		Bushed Link	
								L	L1	L2	H1	T	H2	T
SAV 709	inch	5,844	19000 lbs	2,2 lbs/ft	0,882	1,265	0,453	2,578	1,171	1,406	1,218	0,187	1,453	0,187
	mm	148,44	84,52 kN	3,27 kg/m	22,40	32,13	11,51	65,48	29,74	35,71	30,94	4,75	36,91	4,75



Sprockets



Non-Metallic Chains



Stainless Chains



Fiberglass Flights

SAV709 Stainless Steel Chain

SAV709 chain with standard F-226 or F-228 attachment links provides a strong solution for difficult collector operations. Pictured here is SAV709 with Maxco's HMAX Extreme Duty FRP Flights. The tank width is over 36 ft long and handles primary sludge. The plant elected to replace mechanical travel bridge units (visible in background) and discovered that the superior strength and capability of the SAV709 made it the ideal choice. Typical clarifier design is limited at around 30 ft. width with plastic chain, which would have necessitated the costly prospect of creating two clarifiers out of the original one. SAV709 and the HMAX flights allowed the plant to retain the original layout, saving the plant from a significant expense.

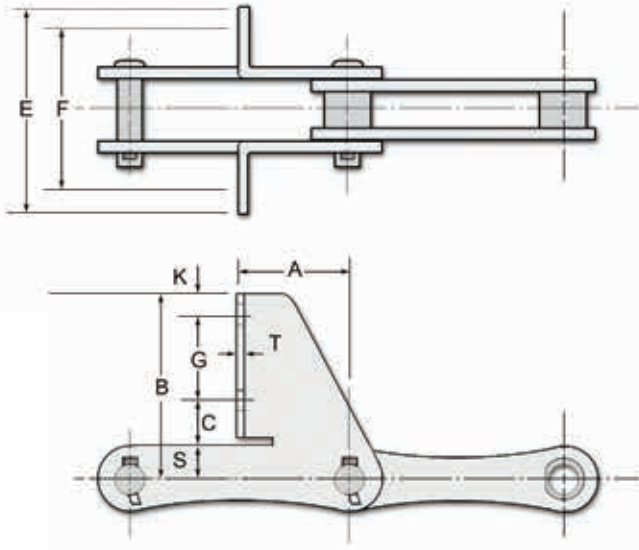


36 ft wide Clarifier - SAV709 Chain with HMAX Extreme Duty Flights



Closer view - 36 ft wide Clarifier with SAV 709 Chain

SAV 709 „F“ Style Attachment Link



- Strong - Lightweight
- Versatile in Application
- Cost Effective Solution

Dimensions of SAV 709 Stainless Steel Chain (F Attachment)

Attachment Part No.	Units	Dimension										"Attachment Nominal Weight"
		A	B	C	E	F	G	K	S	T	Ø	
F-226/709	inch	2,913	6,5	1,640	5,5	3,75	2,625	1,234	1	0,187	0,437	3,9 lbs/ea
	mm	73,99	165,10	41,66	139,70	95,25	66,68	31,34	25,40	4,75	11,10	1,77 kg/pcs
F-228/709	inch	2,913	8,265	1,640	5,5	3,75	4,5	1,125	1	0,187	0,437	4,5 lbs/ea
	mm	73,99	209,93	41,66	139,70	95,25	114,30	28,58	25,40	4,75	11,10	2,04 kg/pcs

HB78 Stainless Steel Drive Chain

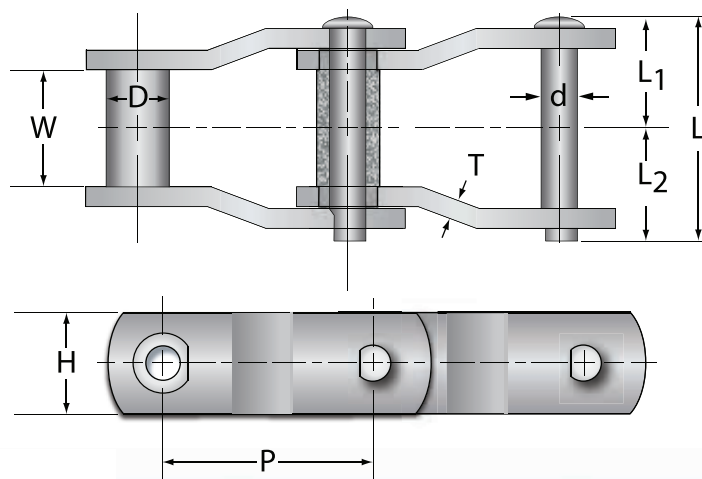


HB78 Stainless Steel Drive chain is the premier pintle chain for harsh and demanding applications. Ideal for water and wastewater requirements. Made of 403 stainless steel, the chain is extremely strong, yet highly corrosion resistant.

Consider some of the advantages of HB78 chain:

- Directly interchangeable with all 78 series chains
- Runs on Cast, Non-Metallic or Stainless tooth 78 style sprockets
- Minimal elongation = less adjustments
- J-cotter pin for easy link removal/install
- Available with food grade oil lubrication

HB78 Stainless Drive Chain



Dimensions and Strength of HB78 Chain

Chain No.	Units	Pitch P	Working Load	Min. Ultimate Strength	Weight	Barrel		Pin			Side Bar		
						Outside Dia. D	Width W	Outside Dia. d	Length		Height H	Thick. T	
									L1	L2			
HB78	inch	2,609	3300 lbs	21000 lbs	3,8 lbs/ft	0,875	1,125	0,4375	2,625	1,1875	1,4375	1,23	0,224
	mm	66,27	14,68 kN	93,41 kN	5,66 kg/m	22,23	28,58	11,11	66,68	30,16	36,51	31,24	5,69



Sprockets



Non-Metallic Chains



Stainless Chains

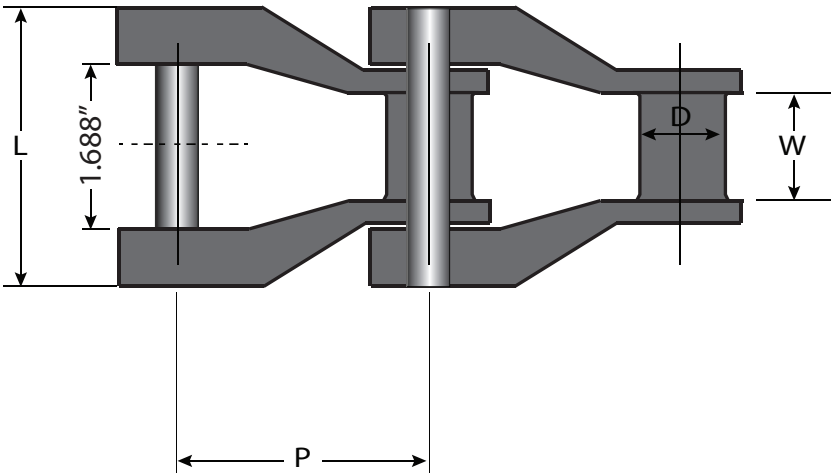


Fiberglass Flights

NH78 Non-Metallic Drive Chain



NH78 Non-Metallic Chain is a strong, yet light weight alternative to metallic or cast drive chains. Directly interchangeable with 78 series chains and requiring no lubrication, the NH78 chain can be used with cast, plastic or stainless steel sprockets for clarifier drives or drag conveyor applications. Our NH78 drive chain is made of a glass reinforced nylon material providing additional strength and resistance to elongation. It features a 316SS knurled pin that is easy to install with no cotters or clips. The link material also includes UV inhibitors to resist degradation from sun exposure.



Chain No.	Units	Chain Pitch	Width	Diameter	Height	Pin			Link	Working Load	Average Ultimate Strength	Average Weight
		P	W	D	H	d	L	Material	Material			
NH78	inch	2,609	1,125	0,875	1,125	0,375	2,906	316SS	Glass Reinforced Nylon	1800 lbs	4000 lbs	1,41 lbs/ft
	mm	66,27	28,58	22,23	28,58	9,53	73,81			8,01 kN	17,79 kN	2,10 kg/m

HMAX Sprockets - High Strength Integrally Molded 720 Sprockets



Maxco introduces the HMAX, a 720 style sprocket featuring the great wear resistance of UHMW and a bore with strength to run on a drive shaft under the heaviest of loads without fear of running over the key. Made from an industry unique three-piece, integrally molded construction the new design provides teeth of extreme wear resistance with a Non-Metallic hub of incredible strength and durability now available for wastewater sprocket applications. The result is a 720 sprocket with superior performance at a very reasonable price. Contact Maxco, Ltd. for details.

Unique design: three section integrally molded

- UHMW tooth profile
- Split polyurethane hub
- Glass reinforced nylon bore

HMAX 720 Sprockets available in 23, 19 and 17 tooth configuration.

For additional information contact Maxco, Ltd. Environmental Products Group

HMAX Sprocket	Material	Units	Pitch Diameter	Minimum Bore Diameter	Minimum Bore Diameter	Lenght Thru Bore Drive Style	Lenght Thru Bore Idler Style	Approx. Weight
23 Tooth	Cast Nylon	inch	22,21	1,9375	4,4375	6,00	4,00	25 lbs
		mm	564,13	49,21	112,71	152,40	101,60	11,3 kg
19 Tooth	Cast Nylon	inch	18,45	1,9375	4,4375	6,00	4,00	22 lbs
		mm	468,63	49,21	112,71	152,40	101,60	10 kg
17 Tooth	Cast Nylon	inch	16,59	1,9375	4,4375	6,00	4,00	20 lbs
		mm	421,39	49,21	112,71	152,40	101,60	9,1 kg

Non-Metallic Shearpin Sprocket Assembly



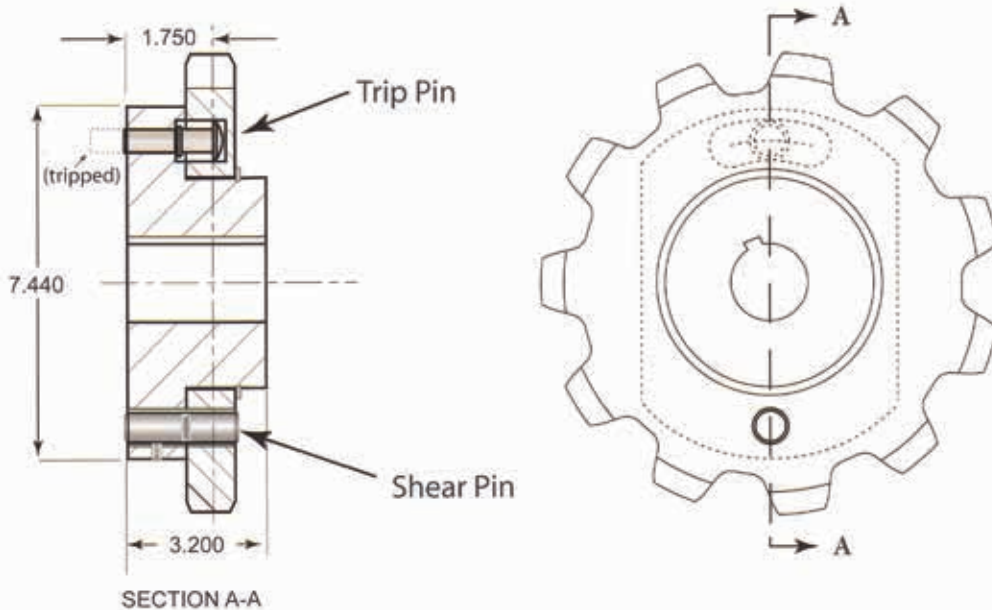
Stocked in 11 tooth configuration; other sizes also available. Key features:

- Urethane Hub,
- Nylon 6 Teeth,
- No Lubrication Required.

Ideal for metallic and Non-Metallic chain.

Includes pop-out trip pin when shear pin has opened. The pop-out can be used with an optional limit switch to de-energize the motor and/or to activate an alarm.

Available in bore sizes ranging from 1" to 2-1/2" diameter. Available from inventory for fast delivery.



11 Tooth Non-Metallic Shearpin Sprocket with Trip Arm

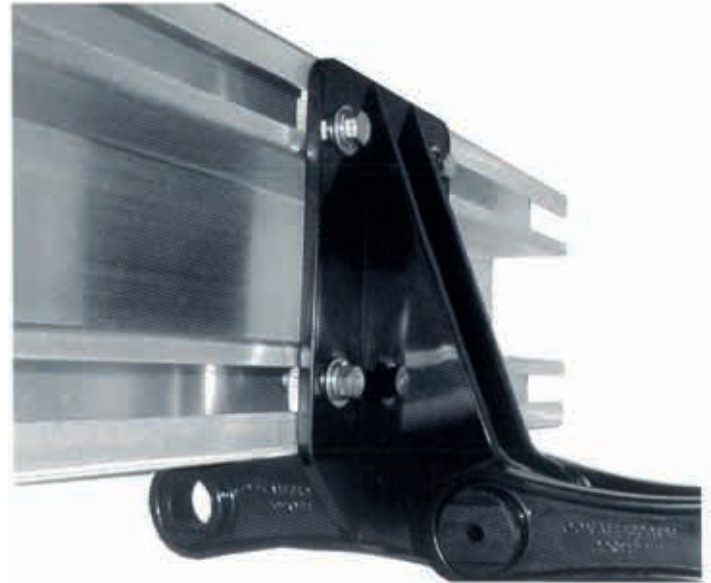
Part Number	Material		Weight	Shearpin Material	Shearpin OA Dia
	Hub	Teeth			
NMSP	Cast 75D Urethane	Nylon 6	5,2 lbs	T-6 6061 Aluminium	5/8"
			2,36 kg		15,875 mm

Aluminium Flights

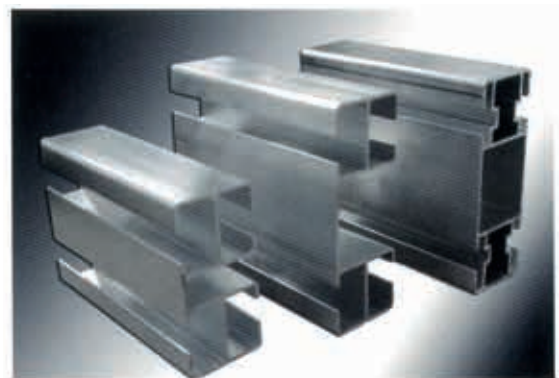


Introduced in 1990, Aluminum flights have proven to be the best cost effective alternative to FRP or wooden flights to date. Made of 6063 T-5 aluminum, the HMAX Aluminum flight is highly resistant to corrosion in use, and does not require special sealants, surface preparation or treatments. The HMAX Aluminum flight features a patented attachment method to the chain which eliminates drilling or notching the flight boards by the use of slotted integral tracks which allows the flight attachments and wear shoes to be mounted and aligned to the flights without the fuss or hassle associated with wooden or fiberglass flights. Environmentally friendly, Aluminum flights are recyclable.

- AVAILABLE IN 8" AND 6" SIZES, INCLUDING HEAVY DUTY
- OPTIONAL NEOPRENE WIPER



- NO FILLER BLOCKS
- NO DRILLING OR NOTCHING REQUIRED
- EASIEST FLIGHT TO INSTALL
- IDEAL FOR HEAVY DUTY SLUDGE LOADS, SNAIL SHELLS, HIGH GRIT LEVELS



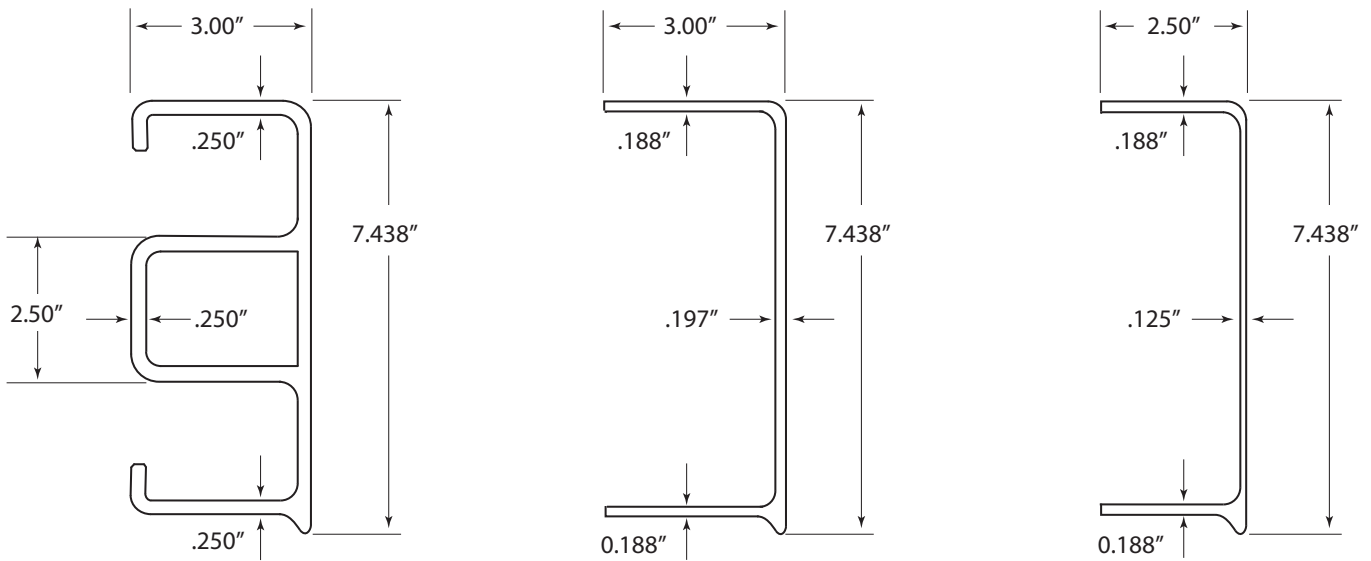
HMAX Aluminum Flights can be used with Non-Metallic, Stainless Steel and Malleable Chains*
 * Metallic chains require additional Polypro insulator plate

Aluminium flight	Part Number	Material	Units	Height	Dept	Maximum Lenght	Approx. Weight
8" Standard Duty	HSTD10047	6063 Aluminium	inch	7,02	2,498	26 ft	2,36 lbs/ft
			mm	178,3	63,45	7,92 m	3,5 kg/m
8" Heavy Duty	HSTD10048	6063 Aluminium	inch	7,02	2,498	37 ft	3,6 lbs/ft
			mm	178,3	63,45	11,28 m	5,4 kg/m
6" Standard Duty	HSTD10049	6063 Aluminium	inch	5,125	2,498	26 ft	2,31 lbs/ft
			mm	130,2	63,45	7,92 m	3,4 kg/m
Neoprene Wiper Blade	RSA	Neoprene	inch	2,875	0,125	80 ft	0,4 lbs/ft
			mm	73	3,18	24 m	0,6 kg/m

Fiberglass Flight



MAXCO fiberglass reinforced plastic flights are highly corrosion resistant. So unlike steel, it won't rust when are exposed to chemicals or corrosive environment. They are also nonconductive and impact resistant. All-in-all our fiberglass flights are stronger than many steels in the lengthwise direction and weigh up to 75% less weight.



Our FRP channel flights are manufactured to replace wood flights and will work with plastic and metallic chains. These flights offer minimal deflection and featuring a larger cross section and structural reinforcement for heavier requirements. These pultruded fiberglass flights contain UV inhibitors to avoid degradation. Flights are generally used with F226 or F228 flight attachments in wastewater applications.

FRP CHANNEL FLIGHT PROFILES	USE Filler Block	Units	Height	Dept	Maximum Lenght	Approx. Weight
EXTREME DUTY FLIGHT	not required	inch	7,438	3,000	37 ft	4,2 lbs/ft
		mm	188,9	76,2	11,28 m	6,25 kg/m
HIGH STRENGTH FLIGHT	HSTD177 (ONLY)	inch	7,438	3,000	24 ft	2,2 lbs/ft
		mm	188,9	76,2	7,32 m	3,27 kg/m
STANDARD DUTY FLIGHT	HSTD177FE / HSTD177	inch	7,438	2,500	20 ft	1,5 lbs/ft
		mm	188,9	63,5	6,1 m	2,23 kg/m

Fiberglass Scum Pipe

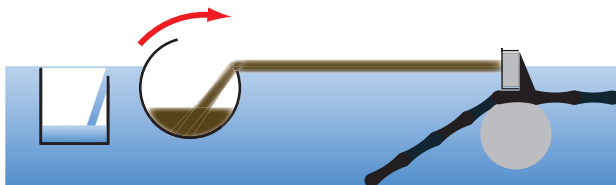


A new product for Maxco's Wastewater Division is the FRP (fiberglass) Scum Pipe. Unlike chain and flight collectors, the scum pipes are found in rectangular, circular and other applications within wastewater treatment. Used to remove surface "floatables" the scum pipe keeps unwanted oils and grease from escaping into the treatment process.

Compare these two pictures. Above is an FRP scum pipe that has been in service for 6 years. The customer states the lever operator never freezes, and never has any problems. While the scum pipe in the photo below has been in operation for the same amount of time but is subject to freeze ups, is difficult to use and leaks around the seals as well.

About Scum Pipes

Sewage contains high levels of oils, grease, and associated materials. These materials float to the surface are typically nonsoluble and must be removed. Scum troughs (also known as "tipping troughs") block the scum from going over the weirs and contaminating the secondary process. It skims off the surface of the water (removing the float). In the example shown, the flight boards push the float towards the scum pipe.



To remove the float the trough is tipped where just the lip of the pipe is below surface, this draws off the float.

Originally made from cast iron pipe, today's pipes are usually made of steel pipe, stainless, and now FRP materials. The problems with scum pipes typically are frozen operation (due to corrosion) where the pipes no longer rotated. With the advent of Non-Metallic materials not only is the problem eliminated, but it makes for a easier operation. Feature of Non-Metallic scum pipes is the ready release of built-up sludge like material in the pipe. The picture below shows the zero effect of the heavy surface float on the FRP scum pipes.



Cast Nylon Stub Shafts



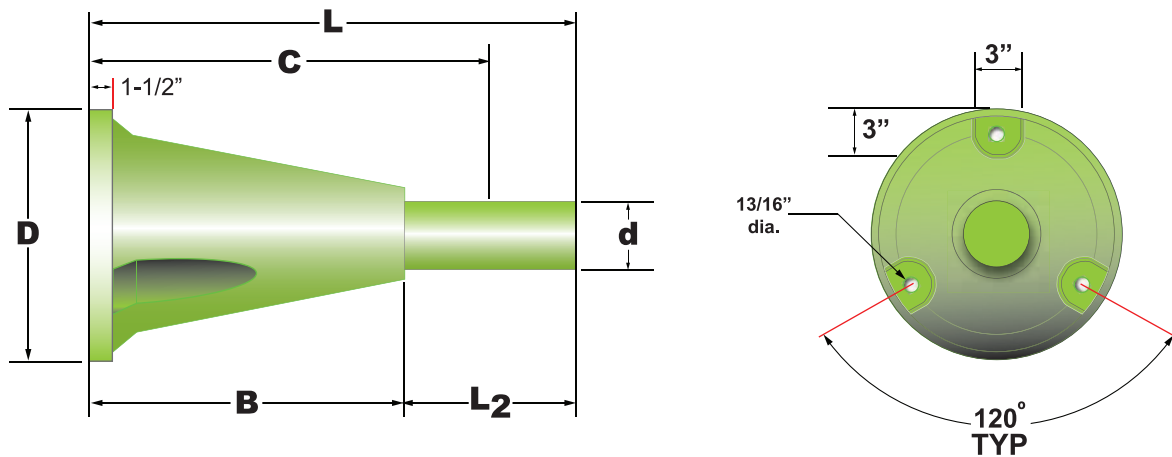
Replace metallic wall bearings and heavy steel shafts with high strength, light weight Cast Nylon Stub Shafts from Maxco. Key to the stub shaft is its durable design, a one piece casting. Unlike steel shafts and metallic wall bearings, the Cast Nylon Stub Shaft does not require lubrication and are highly resistant to deflection under load. UV inhibited to insure a long trouble free life, these are an excellent replacement for dry tank conditions. HMAX static sleeve bearings (provided with the Stub Shaft) are designed with a larger bearing surface area, lowering bearing pressure, increasing service life. Plus, the bearing is horizontally adjustable, you don't move the entire Stub Shaft assembly like other brands making it among the easiest units to install and align.

Provided with HMAX Static Sleeve Bearings
 Available in 24", 18" and 12" projection sizes
 Reduces system drag, extends component life.
 Replaces steel idler shafts | wall bearings.

Key features:

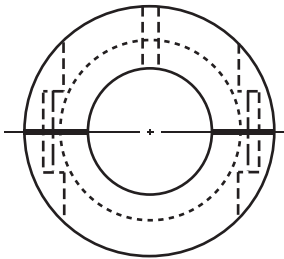
- Reduces system drag- extends life of components
- No Grease lines | No lubrication
- In use for over 30 years- perfect for 300ft long tanks

Contact Maxco Environmental Products Group for additional details

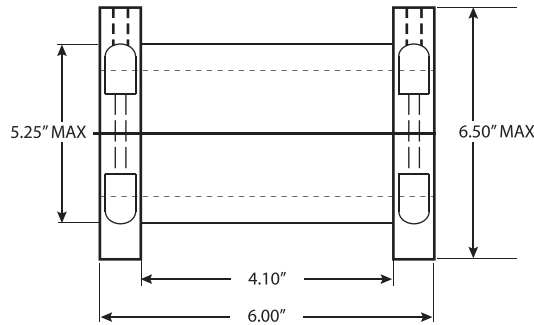


Size	Part Number	Material	Units	Base Plate Diameter	Overall Length	Wall to Centerline Sprocket	Base Length	Spindle Length	Spindle Diameter
				D	L	C	B	L2	d
24"	HSTD733	Cast Nylon	inch	15,00	29,250	24,00	19,00	10,25	4,00
			mm	381,00	742,95	609,60	482,60	260,35	101,60
18"	HSTD737	Cast Nylon	inch	15,00	25,250	18-20	13,00	12,25	4,00
			mm	381,00	641,35	457,2-508	330,20	311,15	101,60
12"	HSTD736	Cast Nylon	inch	11,50	17,250	12,00	7,00	10,25	4,00
			mm	292,10	438,15	304,80	177,80	260,35	101,60

Standard Static Sleeve Bearing



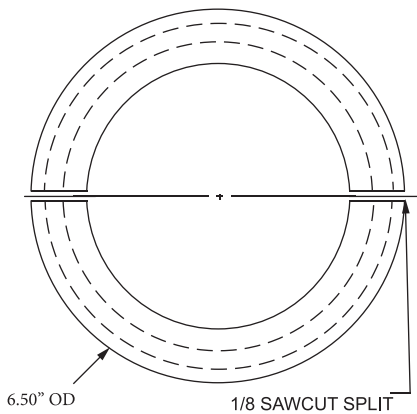
Designed for use with HMAX Style Polymer Sprockets



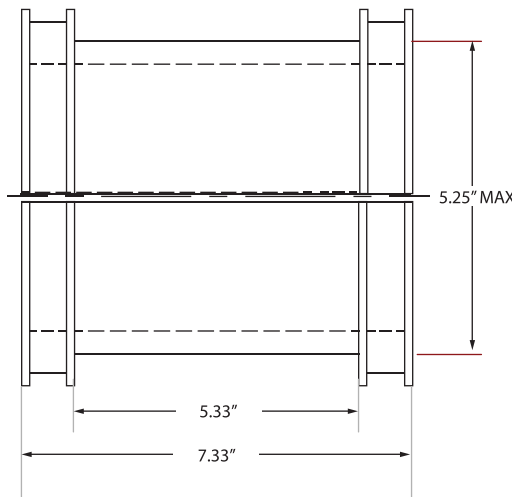
Standard static sleeves provide a quick and cost effective replacement to wall bearings. By simply removing the existing idler sprockets and installing static sleeve bearings on the shafts, you can reuse your sprockets (modification may be required) or with new ones. Static sleeve bearings provide significant improvement in service life by decreasing the drag on the chain.

Static Sleeve Bearings decrease drag increases the performance and service life of the clarifier mechanism all without the need for periodic grease or lube.

Wide Profile Static Sleeve Bearing (Clamping Band Style)



Wide Profile Static Sleeve Bearings are required for use with HMAX style Cast Nylon Sprockets (5.25" LTB) when static sleeve bearings are required.



Wide Profile Static Sleeve Bearings are assembled with the use of clamping bands that pull the two halves together without the need for nuts and bolts. Wide Profile Sleeve Bearings are designed to work with 5.25" LTB sprockets such as our Cast Nylon Sprockets.

Sleeve Bearing	Units	LTB (length-thru-bore)	Bearing Face Width	Maximum Shaft Diameter	Min. Wall Thickness	Available Materials	Average Approx. Weight
Standard	6,000	4,100	4,9375	0,255	0,255	UHMW / Nyloil	4 lbs
	152,40	104,14	125,41	6,48	6,48		1,81 kg
Wide Profile	7,330	5,330	4,9375	0,255	0,255	UHMW / Nyloil	7 lbs
	186,18	135,38	125,41	6,48	6,477		3,18 kg

Non-Metallic Jaw Clutch / Shearpin Sprocket Assembly



HEAVY Duty Jawclutch / Shear Pin Sprocket assemblies from Maxco feature Cast Nylon bodies and sprockets with a universal engagement design. All Non-Metallic construction means no lubrication - no grease, no zerk fittings, eliminates possibility of corrosion of the shaft causing the sprocket to freeze to the shaft. Provided with aluminum T-6 shear pins sized to the appropriate neck diameter for the specific application, available with 10 and 11 tooth sprockets. Use with cast iron, stainless steel or Non-Metallic chains. Lightweight and easy to install with standard keyway and set screw engagement. Each shear pin Jaw Clutch assembly comes with a trip arm for use with optional limit switch to signal shear pin has tripped. The omni-directional hub design insures smooth engagement of the drive hub when placed in service with either direction. Contact Maxco, Ltd. for additional details - specifications on reverse.



Sprockets



Non-Metallic Chains



Stainless Chains



Fiberglass Flights

HMAX Non-Metallic Wall Bearings



Metal Wall Bearing, corroded to the point that the shaft is frozen.

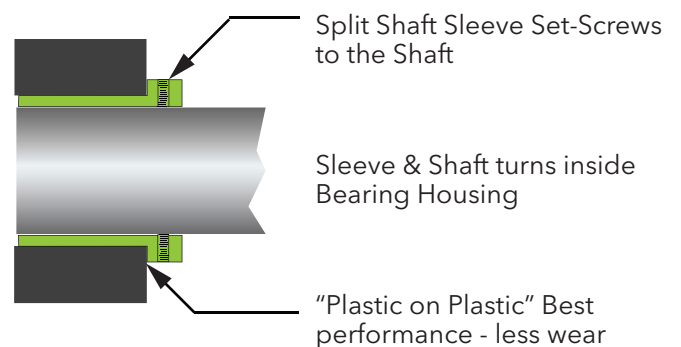
Metallic wall bearings are not well suited for clarifier applications. Ferrous materials corrode as soon as exposed to the influent leading to formation of oxidization which in turn inhibits the rotation of the shaft within the metal bearing housing. Eventually the drag becomes very high with more demand made on the drive to turn the shafts. With HMAX Non-Metallic wall bearings the shafts will always turn freely, grease or lubrication is no longer required and corrosion is never a worry. The natural lubricity of the HMAX Bearings provides superior long term service, and is ideal for dry tank or infrequent operation conditions. Available in bore sizes up to 4-7/16" diameter. For larger size bores consult our HMAX Split Peak Cap Bearing Bulletin.



HMAX Non-Metallic Wall Bearing, shafts turn easily, no lubrication required!

- Cast Nylon Housing
- Nyloil Shaft Sleeve
- Extends Service Life of System
- Standard Mounting Bolt Pattern
- Shaft Sleeve replaces easily.
- Natural Lubricity - No Lubrication Required

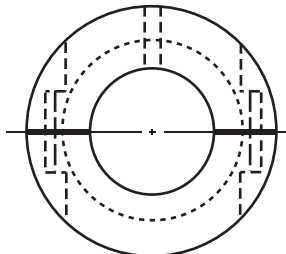
HMAX WALL BEARING



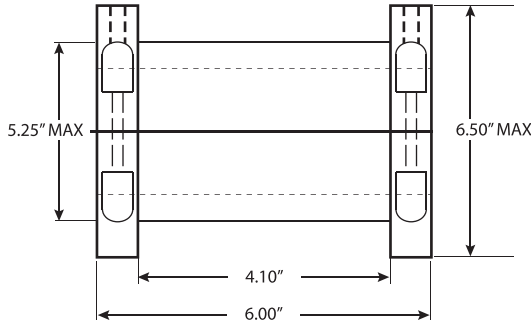
MAXCO Part Number	Units	Max Bore Diameter	Bearing Housing			Shaft Sleeve		Hardware	Average Weight
			LTB	Material	Bolt Centers	LTB	Material		
HSTD10039	inch	4,438	4,500	Nylon 6	12,000	5,750	304SS	15 lbs	
	mm	112,73	114,30		304,80	146,05		6,80 kg	

Non-Metallic Static Sleeve Bearings

Standard Bearing



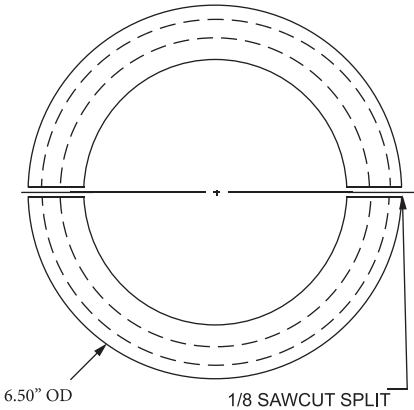
Designed for use with HMAX Style Polymer Sprockets



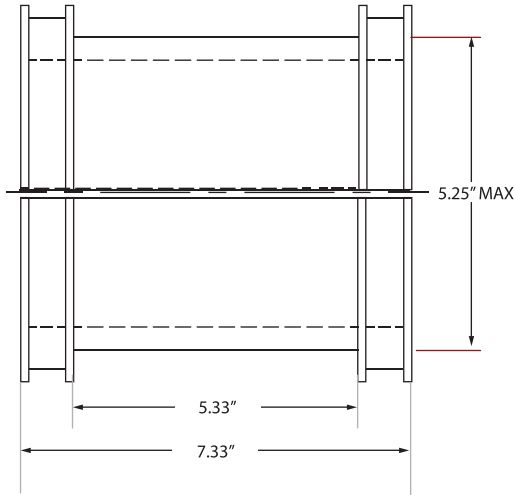
Standard Static Sleeve provides a quick and cost effective replacement to wall bearings for all idler shaft locations. By simply removing the existing sprockets, install static sleeve bearings at the same location. You can reuse your sprockets (modification required) or with new ones you will have significant improvement in service life.

Static Sleeve Bearings decrease drag increases the performance and service life of the clarifier mechanism all without the need for periodic grease or lube.

Wide Profile Bearing (Clamping Band Style)



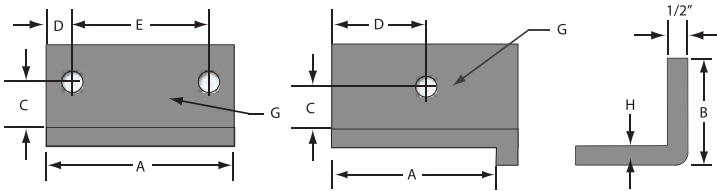
Wide Profile Static Sleeve Bearings are required for use with HMAX style Cast Nylon Sprockets (5.25" LTB) when static sleeve bearings are required.



Wide Profile Static Sleeve Bearings are assembled with the use of clamping bands that pull the two halves together without the need for nuts and bolts. Wide Profile Sleeve Bearings are designed to work with 5.25" LTB sprockets such as our Cast Nylon Sprockets.

Sleeve Bearing	Units	LTB (length-thru-bore)	Bearing Face Width	Maximum Shaft Diameter	Min. Wall Thickness	Available Materials	Average Approx. Weight
Standard	inch	6,000	4,100	4,9375	0,255	UHMW/Nyloil	4 lbs
	mm	152,40	104,14	125,41	6,48		1,81 kg
Wide Profile	inch	7,330	5,330	49375	0,255	UHMW/Nyloil	7 lbs
	mm	186,182	135,382	1254125	6,477		3,18 kg

Standard UHMW Black Repro Wear Shoes



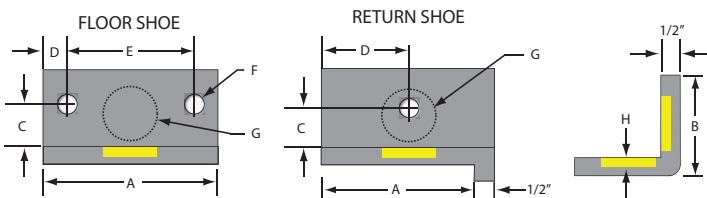
Wear shoes from MAXCO, Ltd. come standard as a molded UHMW-PE Black Repro. Made from partially recycled UHMW-PE of 5 million dL/g the wear shoe provides excellent durability and wear resistance compared to competitive materials. All of this at a much more economical price than that of Virgin UHMW, Nylon, and Urethane. All shoes are 1/2" thick and come in floor, return w/lug, and return w/o lug styles. For added utility, consider adding Wear Alert versions to your tank to act as a visual indicator for shoe reversal and replacement maintenance.

Part No.	Type	Material	Units	A	B	C	D	E	F	G (dia)	H (thk)
HSTD187	Floor Shoe	UHMW-PE	inch	5,5	3	1,375	0,875	3,75	0,5	1,5	0,25
			mm	139,70	76,20	34,93	22,23	95,25	12,70	38,10	6,35
HSTD168	Return Shoe	UHMW-PE	inch	4,5	3	1,375	2,25		0,5	1,5	0,25
			mm	114,30	76,20	34,93	57,15		12,70	38,10	6,35

Wear Alert UHMW-PE Wear Shoes



Wear Alert Shoes from Maxco eliminates the guess work of when the time is right to replace or reverse your worn out wearshoes. Shoes that are too badly worn cannot be reversed, losing a substantial part of the investment made in reversible shoes. With the Wear Alert Shoe from Maxco, a visible wear indicator appears when 50% of the shoe thickness is worn away. Made from UHMW-PE of 5 million dL/g, the Wear Alert shoe provides excellent durability and wear resistance. Available in standard floor and return shoe with lug configuration.



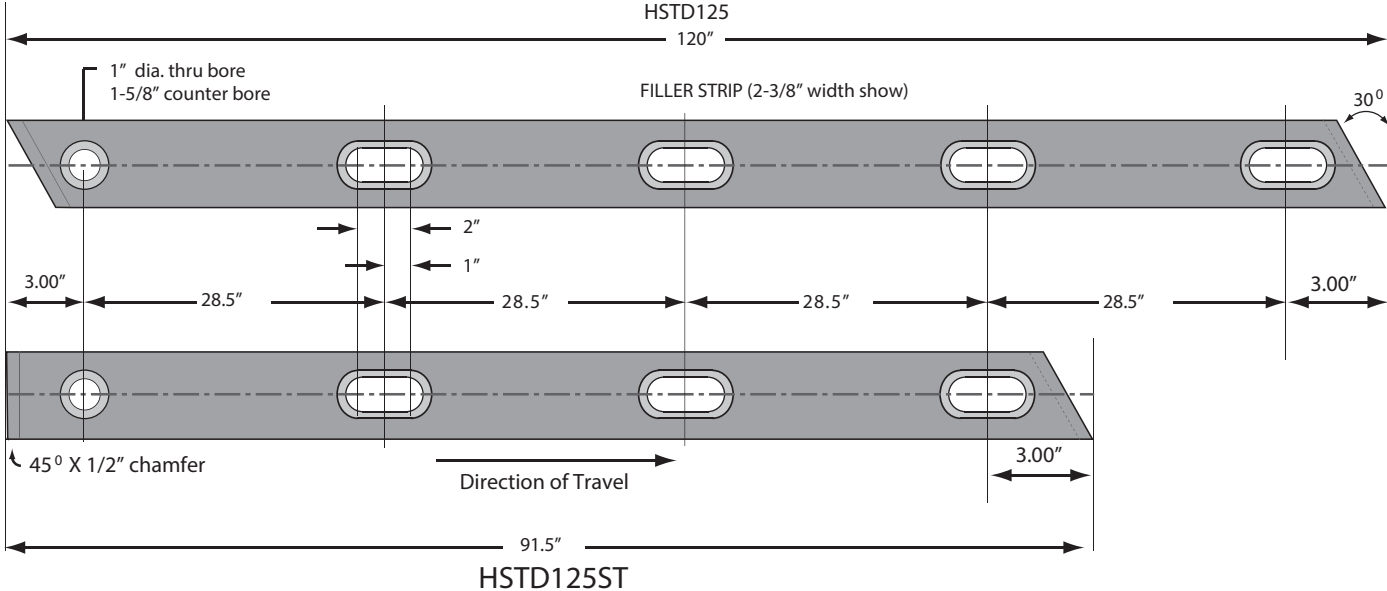
Part No.	Type	Material	Units	A	B	C	D	E	F	G (dia)	H (thk)
WAFS	Floor Shoe	UHMW-PE	inch	5,5	3	1,375	0,875	3,75	0,5	1,5	0,25
			mm	139,70	76,20	34,93	22,23	95,25	12,70	38,10	6,35
WARS	Return Shoe	UHMW-PE	inch	4,5	3	1,375	2,25		0,5	1,5	0,25
			mm	114,30	76,20	34,93	57,15		12,70	38,10	6,35

UHMW-PE Wearstrip



HMAX UHMW-PE Wearstrips are made from 5million dL/g molecular weight material. Higher density offers greater wear resistance for longer lasting performance. HMAX wearstrips are UV inhibited so long term exposure to sunlight and the elements does not degrade the wearstrip over extended periods. The four (4) slotted holes allows thermal expansion with 1 round hold-down hole. The added attachment point insures that the wearstrip won't "warp" and will remain flat. The mitered ends allow for smooth transition of flights. For use with weld washers, or standard fasteners, the HMAX UHMW-PE Wearstrips are available in 2', 2-5/8" (standard), 2-1/2" and 3" widths in 10ft lengths ranging in thickness of 3/8", 1/2" and 3/4". Custom sizes available upon request. Also available in virgin UHMW-PE. For additional details, contact Maxco, Ltd.

Specifications





MAXCO Chain Ltd.

1245 Kennestone Circle,
Marietta, GA, 30066, U.S.A.

Office: +1 (770) 424-9350

Fax: +1 (770) 424-9145

West Coast Service Center

3529 N.W. Yeon Ave.
Portland, OR 97210

Toll-Free +1 (800) 544-7943

Office: +1 (503) 228-6828

Fax: +1 (503) 228-6703

Contact us:

sales@maxcochain.com

www.maxcochain.com

Distributor