

MDS-PSC- - - X

GEARBOX MODEL
 MPG-014 _____
 MRG-014 _____
 RATIO: _____

FOR DIRECT DRIVE OPTION WITH MMK
 (NO GEARBOX) CHECK HERE: _____

MOTOR INFORMATION
 MANUFACTURER: _____
 MODEL: _____

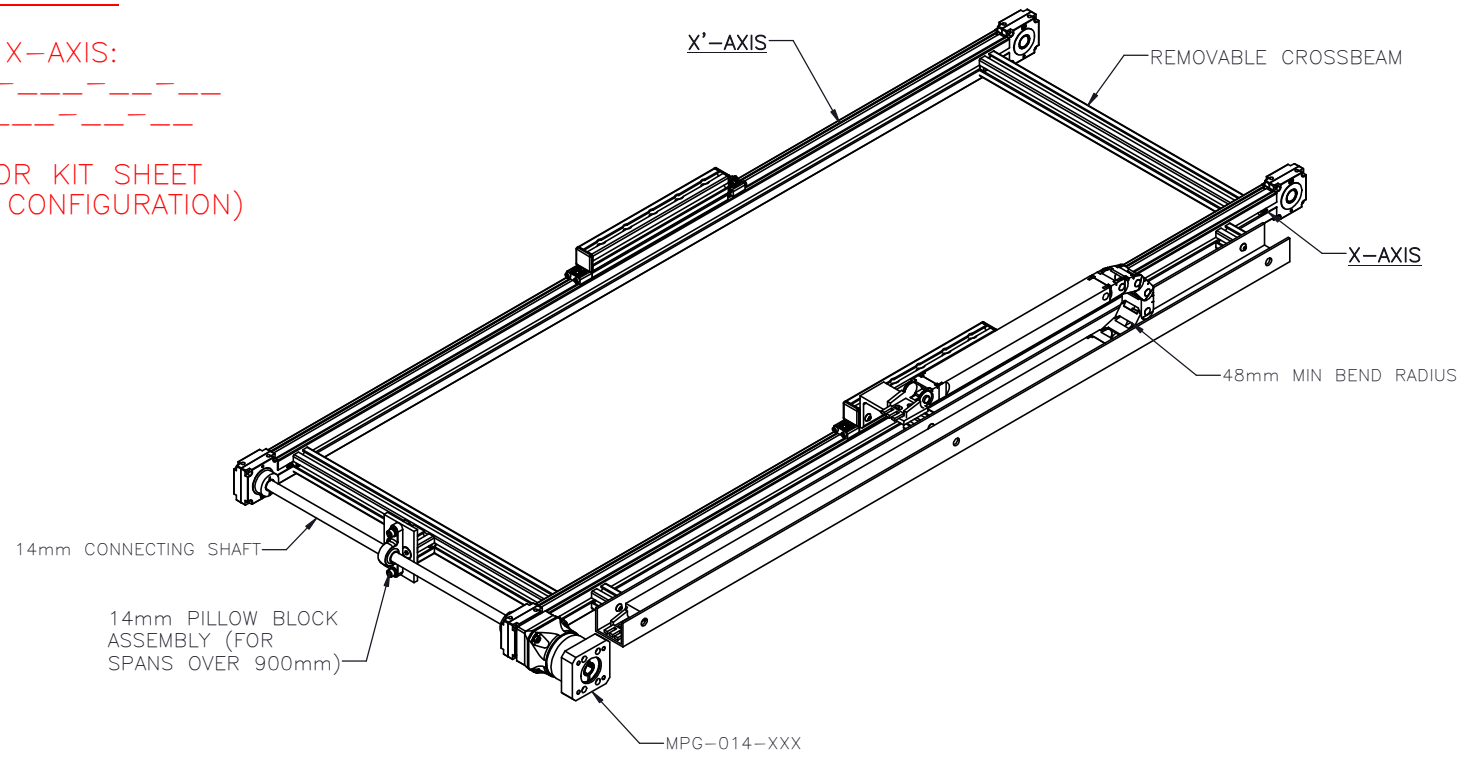
SENSOR INFORMATION X-AXIS:
 HOME-QTY _____ 244-_____
 EOT-QTY _____ 244-_____

(SEE T-SLOT SENSOR KIT SHEET
 FOR PART NUMBER CONFIGURATION)

CENTER TO CENTER DISTANCE (mm)
 CENTER TO CENTER IN INCREMENTS OF 25mm
 LIMITS: 500mm-1000mm

ENTER X-AXIS TRAVEL
 TRAVEL IN INCREMENTS OF 25mm
 TRAVEL LIMITS: 150mm-5575mm

*IF TRAVEL IS OUTSIDE
 LIMITS LISTED, CONTACT
 MACRON*

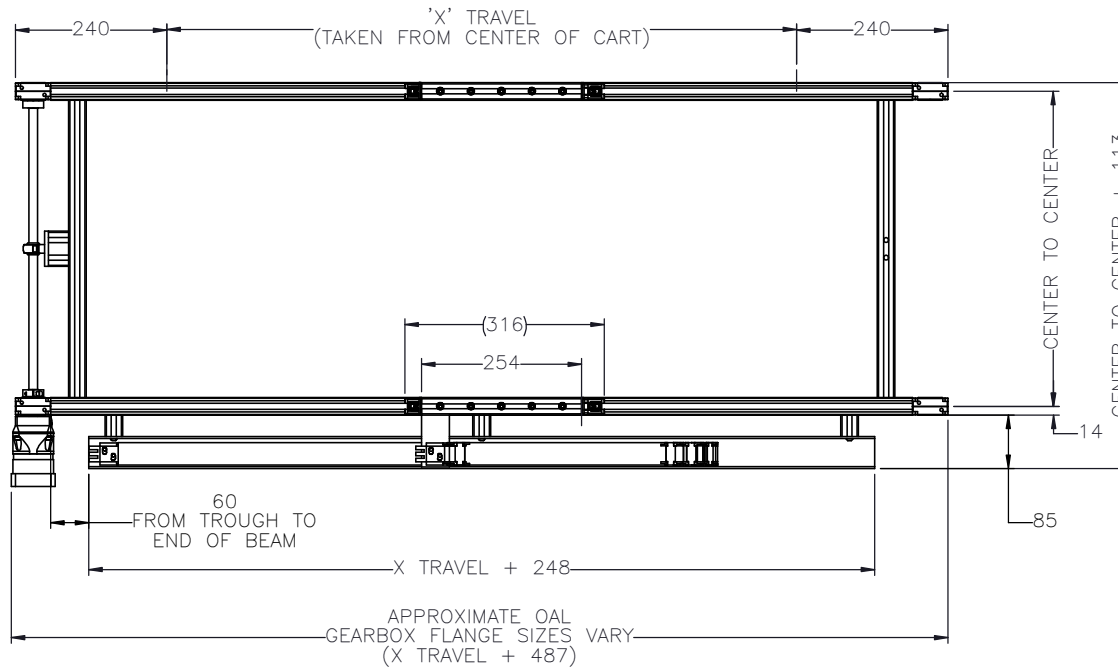


APPROVED: _____
 DATE: _____
 PO:REFERENCE#: _____

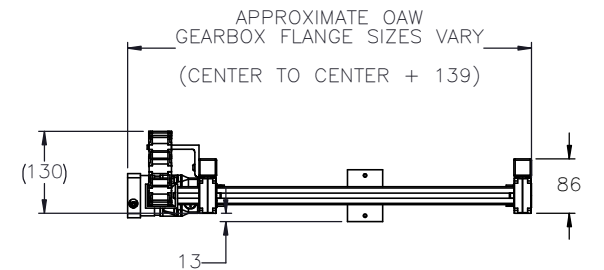
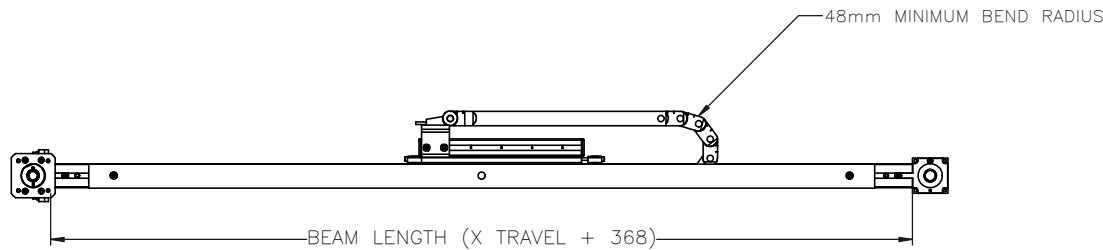
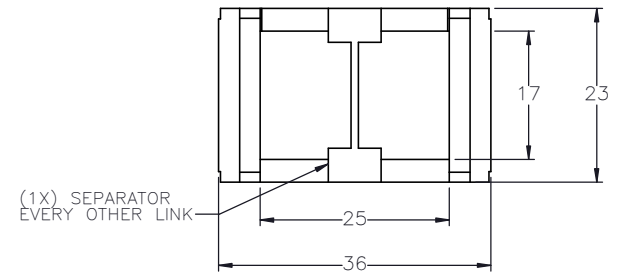
SIGN & PRINT


 MACRON DYNAMICS INC	DRAWN BY: TH DATE: 12/27/2018 MATERIAL:	TITLE: MACRON PSC DUAL SYSTEM
	CHECKED BY: DATE: DD/MM/YYYY	
	LAST SAVED BY: TH DATE: 8/24/2020	
UNLESS OTHERWISE SPECIFIED, DIMENSIONS ARE IN MILLIMETERS. TOLERANCES, UNLESS NOTED OTHERWISE: .X ± .762 .XX ± .254 .XXX ± .127 ANG ± 0°30'		FINISH:
SURFACE FINISH <input checked="" type="checkbox"/>		SCALE: 1:1 SHEET SIZE: C
THIS DRAWING IS THE PROPERTY OF MACRON DYNAMICS. ANY REPRODUCTIONS SHALL BE FOR QUOTATION, MANUFACTURING, OR PURCHASING PURPOSES ONLY. RELEASE OF DRAWINGS TO OTHER CONCERNS DOES NOT CONSTITUTE LICENSING IN ANY WAY. INFORMATION CONTAINED HEREIN IS PROPRIETARY AND CONFIDENTIAL.		SHEET: 1 OF 6 PART NUMBER: MDS-PSC-X-X-X
BREAK ALL SHARP EDGES DIMENSIONAL LIMITS APPLY AFTER FINISHING THIRD ANGLE PROJECTION		REV:

GANTRY FOOTPRINT

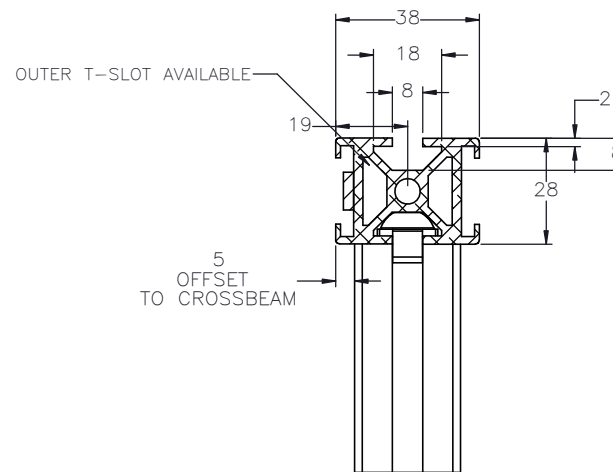
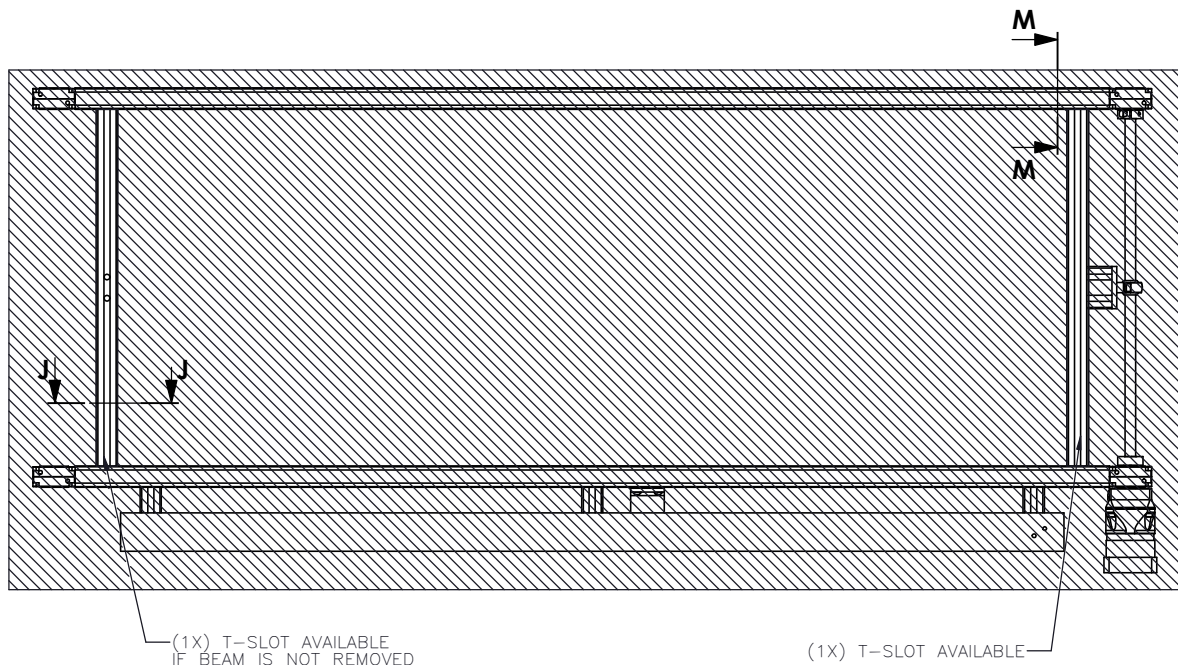


CABLE TRACK CROSS SECTION

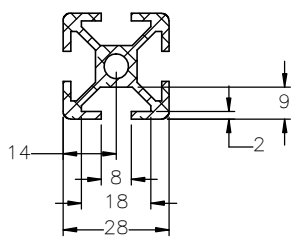


 MACRON DYNAMICS INC	DRAWN BY: TH CHECKED BY: LAST SAVED BY: TH	DATE: 12/27/2018 DATE: DD/MM/YYYY DATE: 8/24/2020	MATERIAL: FINISH:	TITLE: MACRON PSC DUAL SYSTEM
	UNLESS OTHERWISE SPECIFIED, DIMENSIONS ARE IN MILLIMETERS TOLERANCES UNLESS NOTED OTHERWISE: .X ± .762 .XX ± .254 .XXX ± .127 ANG ± 0°30'		SCALE: 1:1 SHEET SIZE: C	
	SURFACE FINISH: <input checked="" type="checkbox"/> BREAK ALL SHARP EDGES DIMENSIONAL LIMITS APPLY AFTER FINISHING THIRD ANGLE PROJECTION		SHEET: 2 OF 6 PART NUMBER: MDS-PSC-X-X-X	REV:
	THIS DRAWING IS THE PROPERTY OF MACRON DYNAMICS. ANY REPRODUCTIONS SHALL BE FOR QUOTATION, MANUFACTURING, OR PURCHASING PURPOSES ONLY. RELEASE OF DRAWINGS TO OTHER CONCERNS DOES NOT CONSTITUTE LICENSING IN ANY WAY. INFORMATION CONTAINED HEREIN IS PROPRIETARY AND CONFIDENTIAL.			


GANTRY MOUNTING FEATURES



SECTION M-M

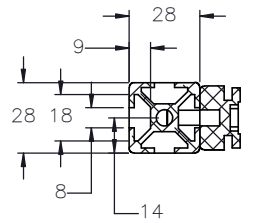
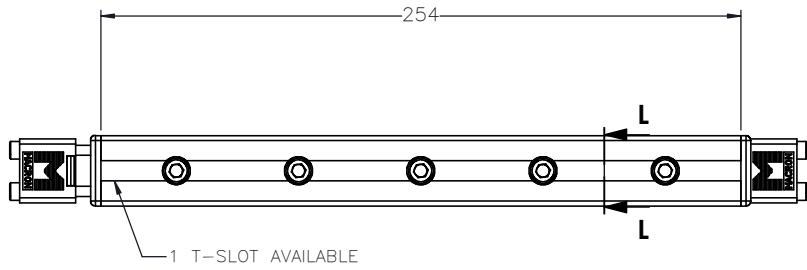


SECTION J-J
CROSSBEAM T-SLOT

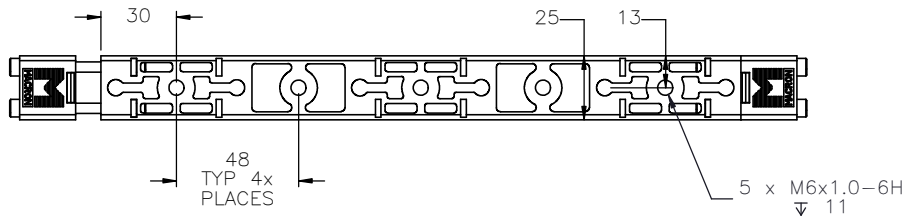
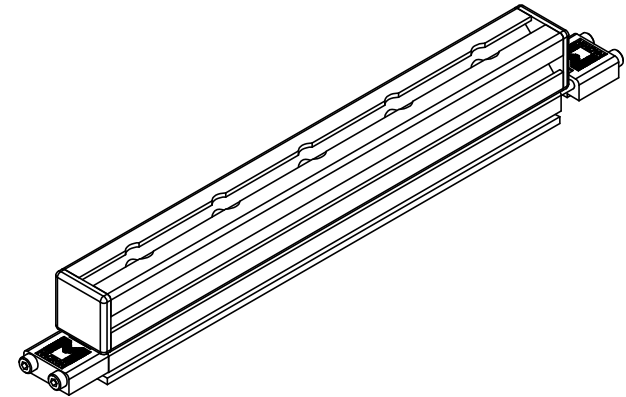
 MACRON DYNAMICS INC	DRAWN BY: TH DATE: 12/27/2018	MATERIAL:	TITLE: MACRON PSC DUAL SYSTEM
	CHECKED BY: DATE: DD/MM/YYYY	FINISH:	
	LAST SAVED BY: TH DATE: 8/24/2020	UNLESS OTHERWISE SPECIFIED: .X ± .762 DIMENSIONS ARE IN MILLIMETERS: .XX ± .254 TOLERANCES UNLESS NOTED: .XXX ± .127 OTHERWISE: ANG ± 0°30'	SCALE: 1:1 SHEET SIZE: C
	SURFACE FINISH: <input checked="" type="checkbox"/>	BREAK ALL SHARP EDGES DIMENSIONAL LIMITS APPLY AFTER FINISHING THIRD ANGLE PROJECTION	SHEET: 3 OF 6 PART NUMBER: MDS-PSC-X-X-X

THIS DRAWING IS THE PROPERTY OF MACRON DYNAMICS. ANY REPRODUCTIONS SHALL BE FOR QUOTATION, MANUFACTURING OR PURCHASING PURPOSES ONLY. RELEASE OF DRAWINGS TO OTHER CONCERNS DOES NOT CONSTITUTE LICENSING IN ANY WAY. INFORMATION CONTAINED HEREIN IS PROPRIETARY AND CONFIDENTIAL.


CART MOUNTING FEATURES



SECTION L-L



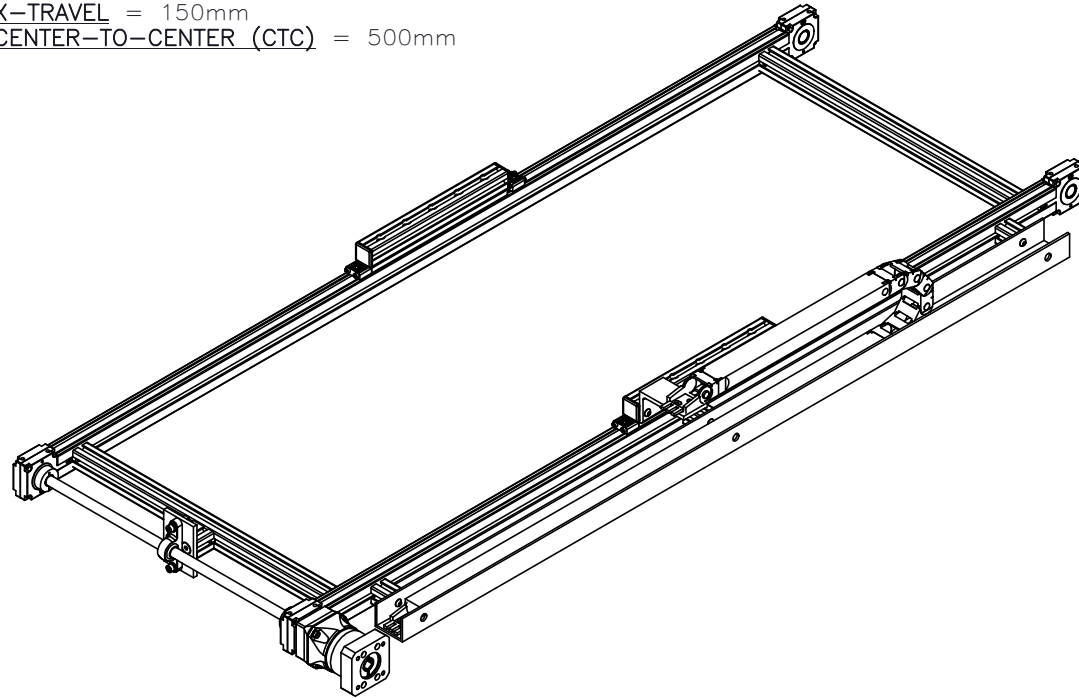
PSC CART DETAIL WITH TOP BEAM REMOVED

 MACRON DYNAMICS INC	DRAWN BY: TH DATE: 12/27/2018	MATERIAL:	TITLE: CSA-PSC
	CHECKED BY: DATE: DD/MM/YYYY	FINISH:	
	LAST SAVED BY: TH DATE: 8/24/2020		UNLESS OTHERWISE SPECIFIED: .X ± .762 DIMENSIONS ARE IN MILLIMETERS: .XX ± .254 TOLERANCES UNLESS NOTED: .XXX ± .127 OTHERWISE: ANG ± 0°30'
	SURFACE FINISH: <input checked="" type="checkbox"/>	BREAK ALL SHARP EDGES DIMENSIONAL LIMITS APPLY AFTER FINISHING THIRD ANGLE PROJECTION	SHEET: 4 OF 6
THIS DRAWING IS THE PROPERTY OF MACRON DYNAMICS. ANY REPRODUCTIONS SHALL BE FOR QUOTATION, MANUFACTURING OR PURCHASING PURPOSES ONLY. RELEASE OF DRAWINGS TO OTHER CONCERNS DOES NOT CONSTITUTE LICENSING IN ANY WAY. INFORMATION CONTAINED HEREIN IS PROPRIETARY AND CONFIDENTIAL.		SCALE: 1:1 SHEET SIZE: C	REV:

MOTOR SIZING WORKSHEET

(INCREMENTAL ADDERS REFER TO MASS PER TRAVEL LENGTH)

BASE TRAVELS USED:
X-TRAVEL = 150mm
CENTER-TO-CENTER (CTC) = 500mm




PROPERTY	BASE VALUE (T=150mm, CTC=500mm)
**MOVING MASS	0.941kg(+0.014kg/25mm)
BELT MASS	0.079kg(+0.004kg/25mm)
PULLEY PITCH ϕ	33.42mm (1.32")
PULLEY WIDTH	16.3mm (0.64")
PULLEY MATERIAL	STEEL
CONN SHAFT LENGTH	550
CONN SHAFT ϕ	14mm
CONN SHAFT MASS	0.65kg(+0.03kg/25mm)
CONN SHAFT MATERIAL	STEEL
TRAVEL PER REV	105mm

X-TRAVEL = _____ mm
 CENTER TO CENTER (CTC) = _____ mm

NOTE: ALL SUPPLIED MASSES DO NOT INCLUDE CUSTOMER COMPONENTS (MOTORS, CABLES, ETC)

GEARBOX MASS (ADD TO SYSTEM MASS)	MPG-014	1.0kg
	MRG-014	3.0kg

TOTAL SYSTEM MASS	$(X \text{ TRAVEL} \times .0037) + (Y \text{ TRAVEL} \times .0029) + 4.862 = \text{kg}$		
 MACRON DYNAMICS INC	DRAWN BY: TH CHECKED BY: LAST SAVED BY: TH	DATE: 12/27/2018 DATE: DD/MM/YYYY DATE: 8/24/2020	MATERIAL: FINISH: UNLESS OTHERWISE SPECIFIED, DIMENSIONS ARE IN MILLIMETERS. TOLERANCES, UNLESS NOTED OTHERWISE: .X \pm .762 .XX \pm .254 .XXX \pm .127 ANG \pm 0°30'
	TITLE: MACRON PSC DUAL SYSTEM		SCALE: 1:1 SHEET SIZE: C
THIS DRAWING IS THE PROPERTY OF MACRON DYNAMICS. ANY REPRODUCTIONS SHALL BE FOR QUOTATION, MANUFACTURING, OR PURCHASING PURPOSES ONLY. RELEASE OF DRAWINGS TO OTHER CONCERNS DOES NOT CONSTITUTE LICENSING IN ANY WAY. INFORMATION CONTAINED HEREIN IS PROPRIETARY AND CONFIDENTIAL.	SURFACE FINISH <input checked="" type="checkbox"/> BREAK ALL SHARP EDGES DIMENSIONAL LIMITS APPLY AFTER FINISHING THIRD ANGLE PROJECTION	SHEET: 5 OF 6 PART NUMBER: MDS-PSC-X-X-X	REV:

SPECIFICATIONS

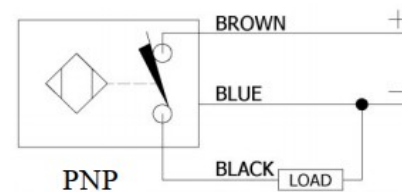
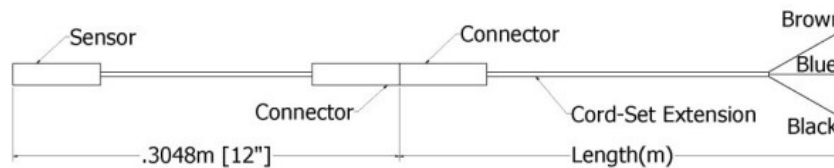
Sensor Type	Inductive
Sensor Size	Fits all 8mm wide T-Slots
Operating Voltage	10-30 VDC
Voltage Drop Across Conducting Sensor	≤1.8 V at 100 mA
Number of Conductors (AWG)	3x26 AWG
Temperature Range	-40°C to 105°C

Part Number Configuration
244- - - - -

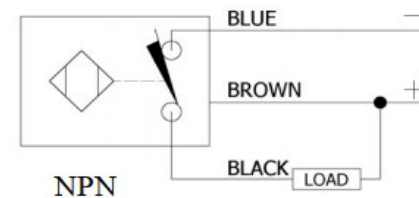
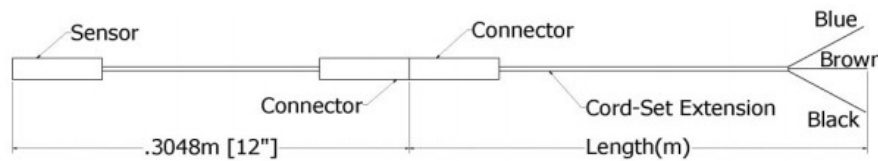
PNP or NPN	NC or NO	02	Meters
PNP or NPN	NC or NO	06	Meters
PNP or NPN	NC or NO	12	Meters

Example: PNP, normally closed, cord-set extension length 6 meters = 244-PNP-NC-06

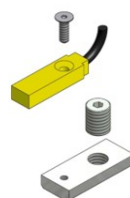
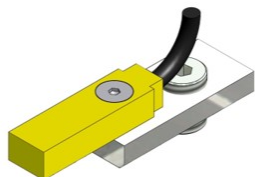
PNP Diagrams




NPN Diagrams



KIT INCLUDES – SENSOR, CORDSET EXTENSION, AND MOUNTING HARDWARE



 MACRON DYNAMICS INC	DRAWN BY: JA DATE: 12/27/2018 CHECKED BY: DATE: DD/MM/YYYY LAST SAVED BY: JA DATE: 8/24/2020	MATERIAL:	TITLE:
	UNLESS OTHERWISE SPECIFIED, DIMENSIONS ARE IN MILLIMETERS. TOLERANCES UNLESS NOTED OTHERWISE: .X ± .762 .XX ± .254 .XXX ± .127 ANG ± 0°30'	FINISH:	T-SLOT SENSOR KIT
	SURFACE FINISH ✓ BREAK ALL SHARP EDGES DIMENSIONAL LIMITS APPLY AFTER FINISHING THIRD ANGLE PROJECTION	SHEET: 6 OF 6 PART NUMBER: SENSOR CALL-OUT	SCALE: 1:1