

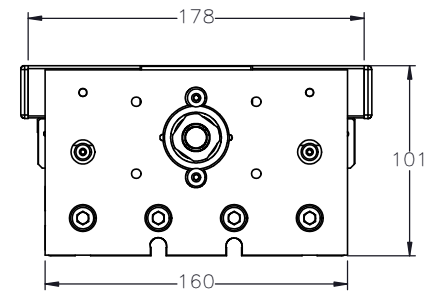
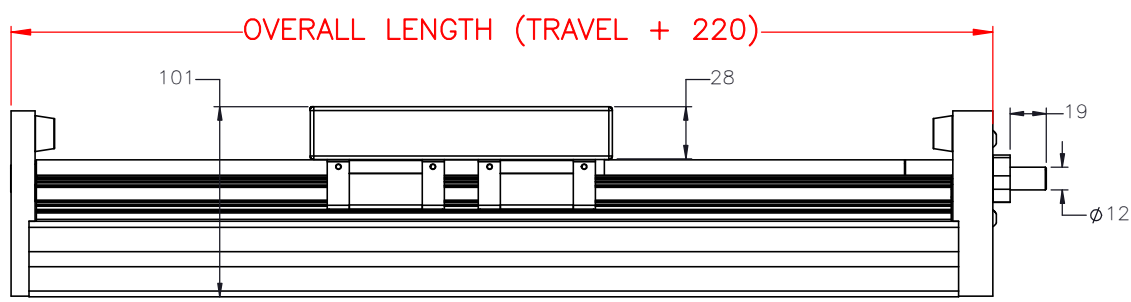
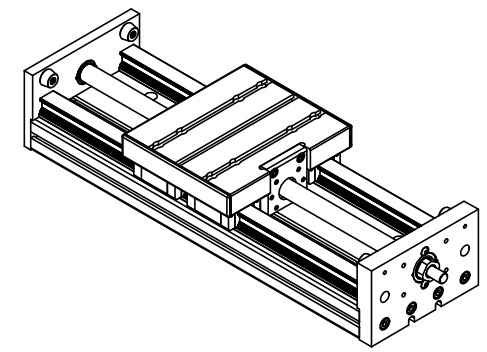
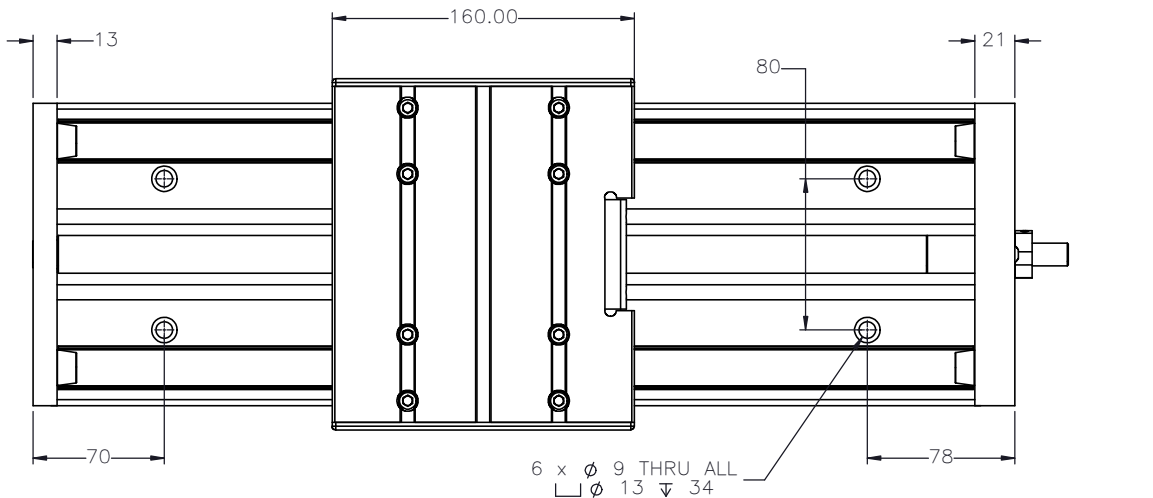
MSA-DRT-N- - -

TRAVEL MIN.	150mm
TRAVEL MAX.	650mm
SCREW DIAMETER	20mm
SCREW NUT DIAMETER	36mm
SCREW NUT LENGTH	55mm
CART WEIGHT	3.26kg
SYSTEM WEIGHT (kg)	(TRAVEL IN METERS x 18) + 8.3

ENTER
TRAVEL IN INCREMENTS OF 25mm

SELECT MOUNTING OPTION
A01 = NO MOTOR MOUNTING KIT
AM1 = MOTOR MOUNT KIT REQUESTED


SPECIFY BALL SCREW LEAD TYPE
05 = 5mm PITCH
10 = 10mm PITCH
20 = 20mm PITCH



APPROVED: _____
SIGN & PRINT

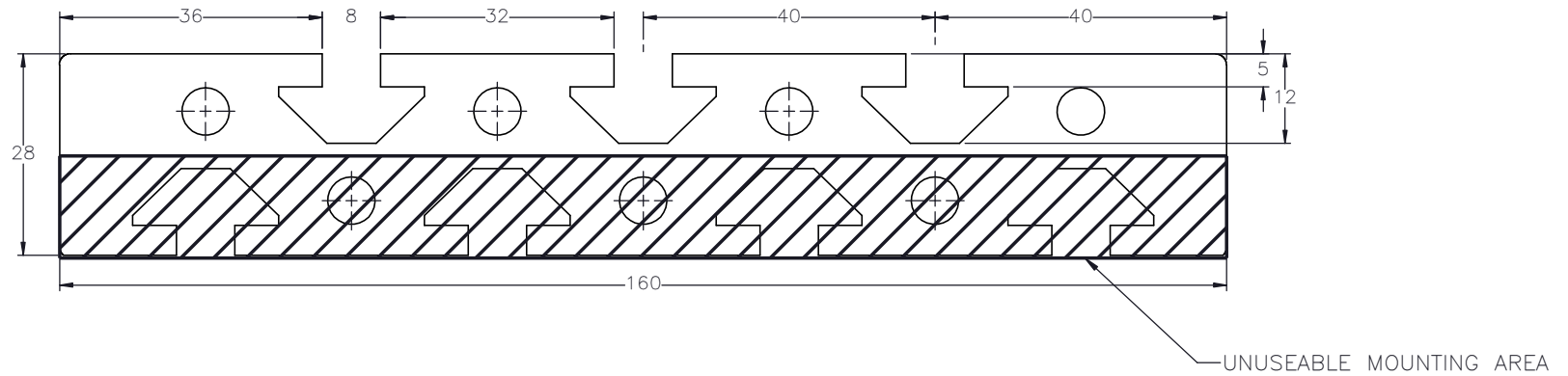
DATE: _____

PO:REFERENCE#: _____

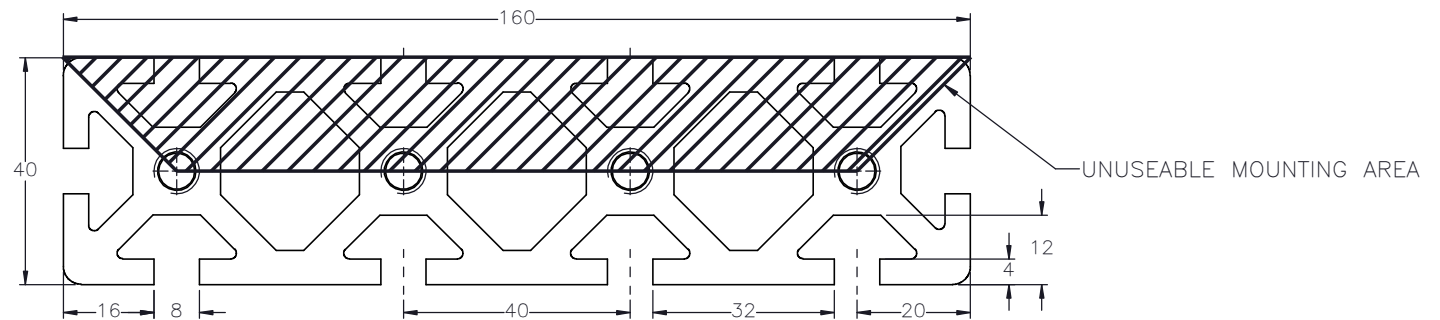
 MACRON DYNAMICS INC	<small>DRAWN BY:</small> JB <small>DATE:</small> 3/6/2012 <small>MATERIAL:</small>	<small>TITLE:</small> MACRON DUAL RAIL SCREW TABLE
	<small>CHECKED BY:</small> -- <small>DATE:</small> DD/MM/YYYY	
	<small>LAST SAVED BY:</small> Tim <small>DATE:</small> 8/12/2020	
	<small>UNLESS OTHERWISE SPECIFIED, DIMENSIONS ARE IN INCHES. TOLERANCES UNLESS NOTED OTHERWISE:</small> .X ± .03 .XX ± .010 .XXX ± .005 ANG ± 0°30'	
<small>SURFACE FINISH</small> ✓	<small>BREAK ALL SHARP EDGES</small> <small>DIMENSIONAL LIMITS APPLY AFTER FINISHING</small> THIRD ANGLE PROJECTION	<small>SHEET</small> 1 OF 3 <small>PART NUMBER</small> MSA-DRT
<small>THIS DRAWING IS THE PROPERTY OF MACRON DYNAMICS. ANY REPRODUCTIONS SHALL BE FOR QUOTATION, MANUFACTURING OR PURCHASING PURPOSES ONLY. RELEASE OF DRAWINGS TO OTHER CONCERNS DOES NOT CONSTITUTE LICENSING IN ANY WAY. INFORMATION CONTAINED HEREIN IS PROPRIETARY AND CONFIDENTIAL.</small>	<small>SCALE</small> 1:1 <small>SHEET SIZE</small> C	<small>REV</small>


SPECIFICATIONS ARE SUBJECT TO CHANGE WITHOUT NOTICE

CART TOP MOUNTING FEATURES



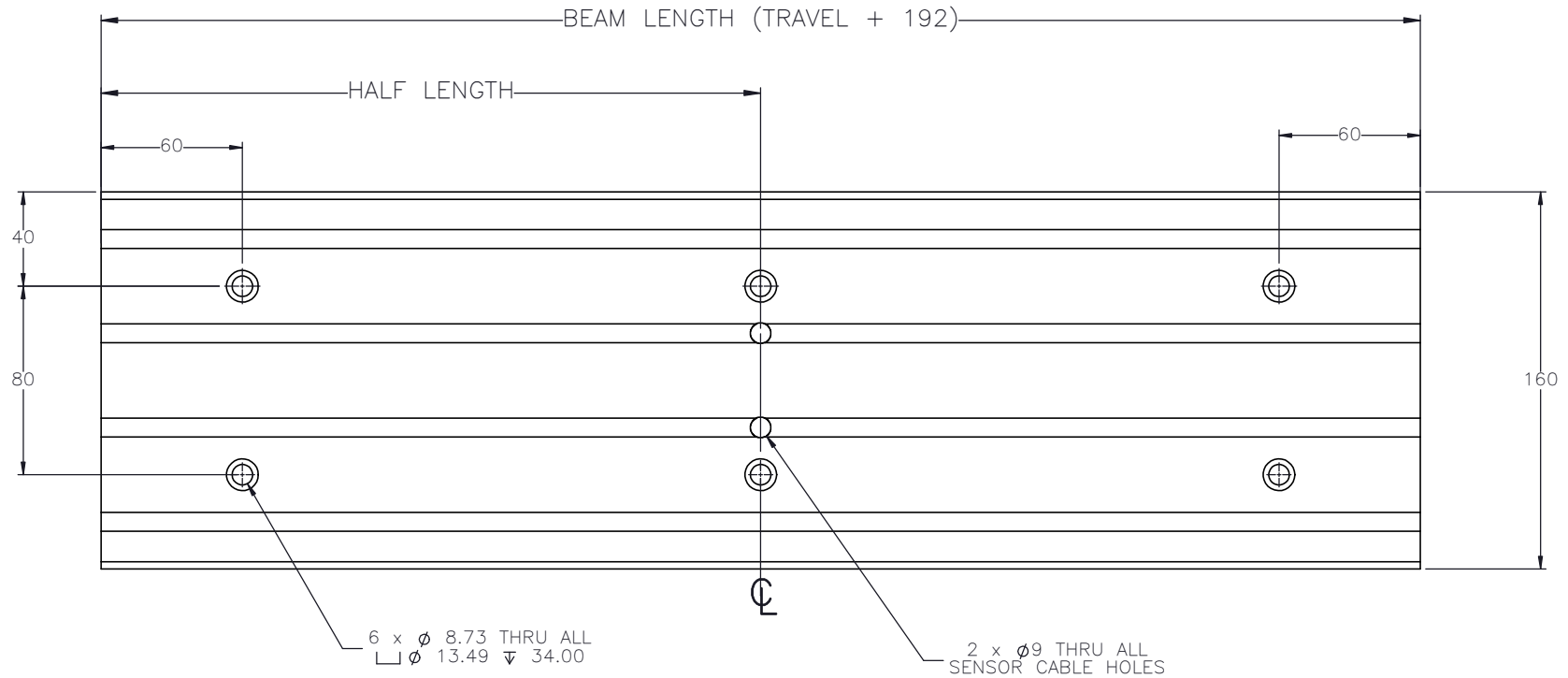
SCREW TABLE BASE MOUNTING FEATURES




 MACRON DYNAMICS INC	DRAWN BY: JB DATE: 3/6/2012 CHECKED BY: -- DATE: DD/MM/YYYY LAST SAVED BY: Tim DATE: 8/12/2020	MATERIAL:	TITLE: MACRON DUAL RAIL SCREW TABLE	
	UNLESS OTHERWISE SPECIFIED, DIMENSIONS ARE IN INCHES: TOLERANCES UNLESS NOTED OTHERWISE:	.X ± .03 .XX ± .010 .XXX ± .005 ANG ± 0°30'	FINISH:	SCALE 1:1 SHEET SIZE C
	SURFACE FINISH <input checked="" type="checkbox"/> BREAK ALL SHARP EDGES DIMENSIONAL LIMITS APPLY AFTER FINISHING THIRD ANGLE PROJECTION	SHEET 2 OF 3	PART NUMBER MSA-DRT	REV

SPECIFICATIONS ARE SUBJECT TO CHANGE WITHOUT NOTICE

SCREW TABLE BASE MOUNTING FEATURES



HOLES ARE SYMMETRIC ABOUT CENTER LINE

 MACRON DYNAMICS INC	DRAWN BY: JB CHECKED BY: -- LAST SAVED BY: Tim	DATE: 3/6/2012 DATE: DD/MM/YYYY DATE: 8/12/2020	MATERIAL:	TITLE: MACRON DUAL RAIL SCREW TABLE
	UNLESS OTHERWISE SPECIFIED, DIMENSIONS ARE IN INCHES: TOLERANCES UNLESS NOTED OTHERWISE:		FINISH:	SCALE 1:1 SHEET SIZE C
	SURFACE FINISH <input checked="" type="checkbox"/>		BREAK ALL SHARP EDGES DIMENSIONAL LIMITS APPLY AFTER FINISHING THIRD ANGLE PROJECTION	SHEET 3 OF 3

SPECIFICATIONS ARE SUBJECT TO CHANGE WITHOUT NOTICE

THIS DRAWING IS THE PROPERTY OF MACRON DYNAMICS. ANY REPRODUCTIONS SHALL BE FOR QUOTATION, MANUFACTURING OR PURCHASING PURPOSES ONLY. RELEASE OF DRAWINGS TO OTHER CONCERNS DOES NOT CONSTITUTE LICENSING IN ANY WAY. INFORMATION CONTAINED HEREIN IS PROPRIETARY AND CONFIDENTIAL.