

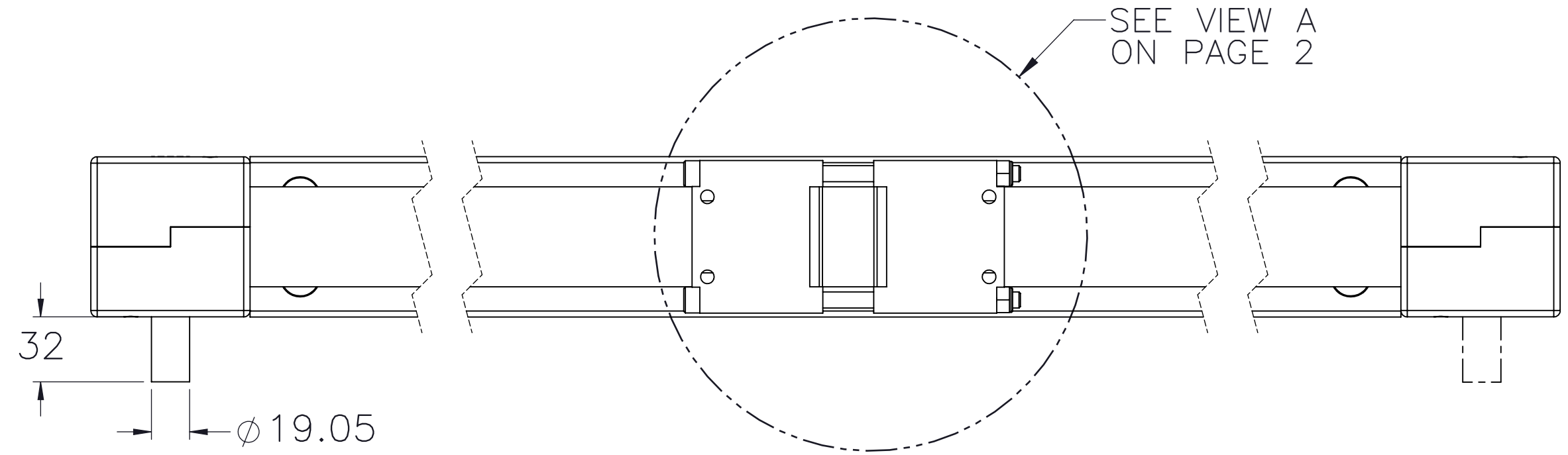
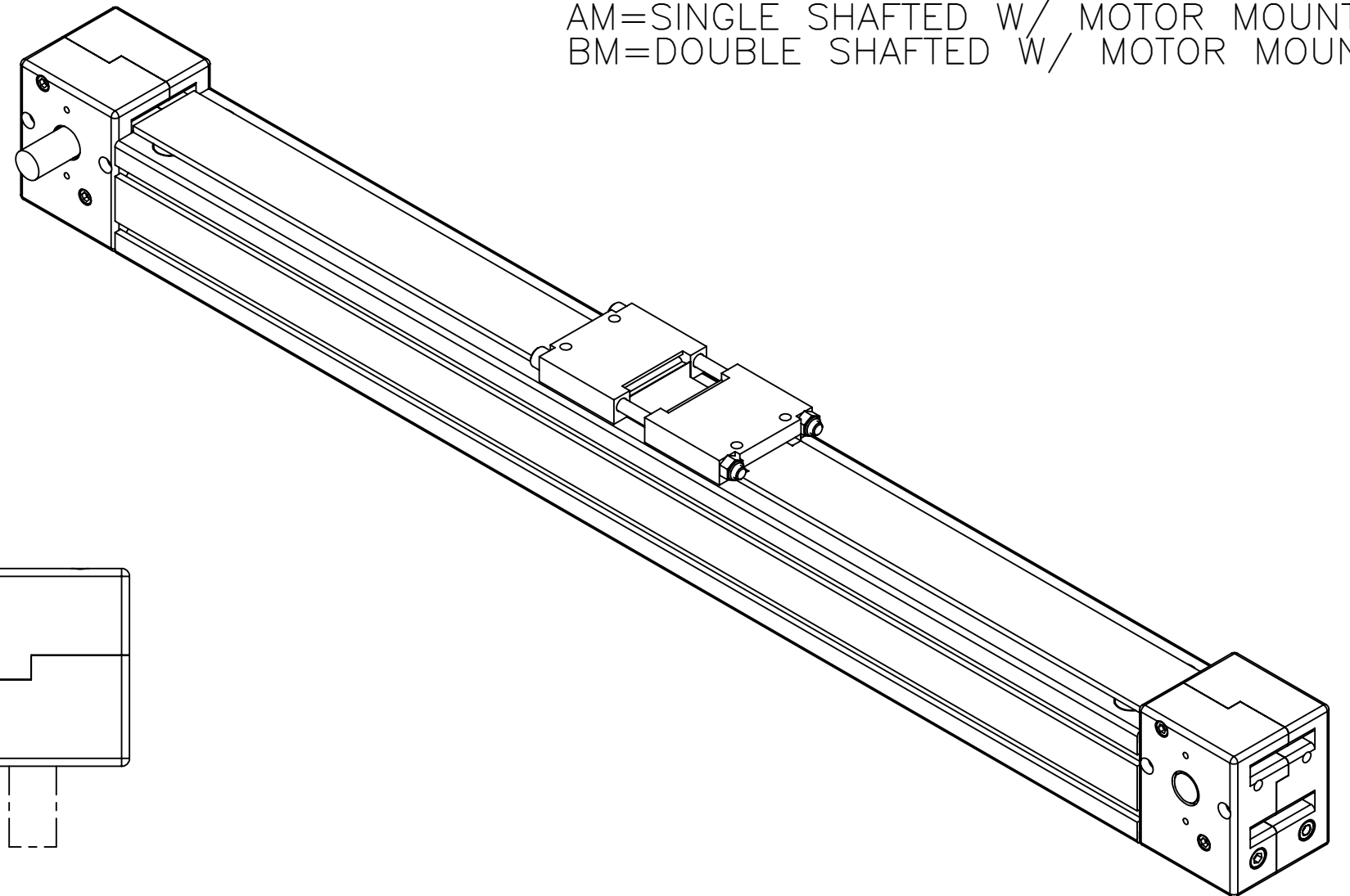
# MSA-SB5-G-BE- -

PULLEY PITCH DIAMETER	47.75mm (1.880")
PULLEY WIDTH	54.0mm (2.124")
PULLEY MATERIAL	STEEL
BELT WEIGHT (kg)	$((\text{TRAVEL IN METERS} \times 2) + .74) \times .34$
TRAVEL PER REV.	150mm
TRAVEL MIN.	150mm
TRAVEL MAX.	5775mm
TENSION ASSY WEIGHT (kg)	1.04kg
SYSTEM WEIGHT (kg)	$(\text{TRAVEL IN METERS} \times 5.5) + 6.7$

**ENTER**  
TRAVEL IN INCREMENTS OF 25mm

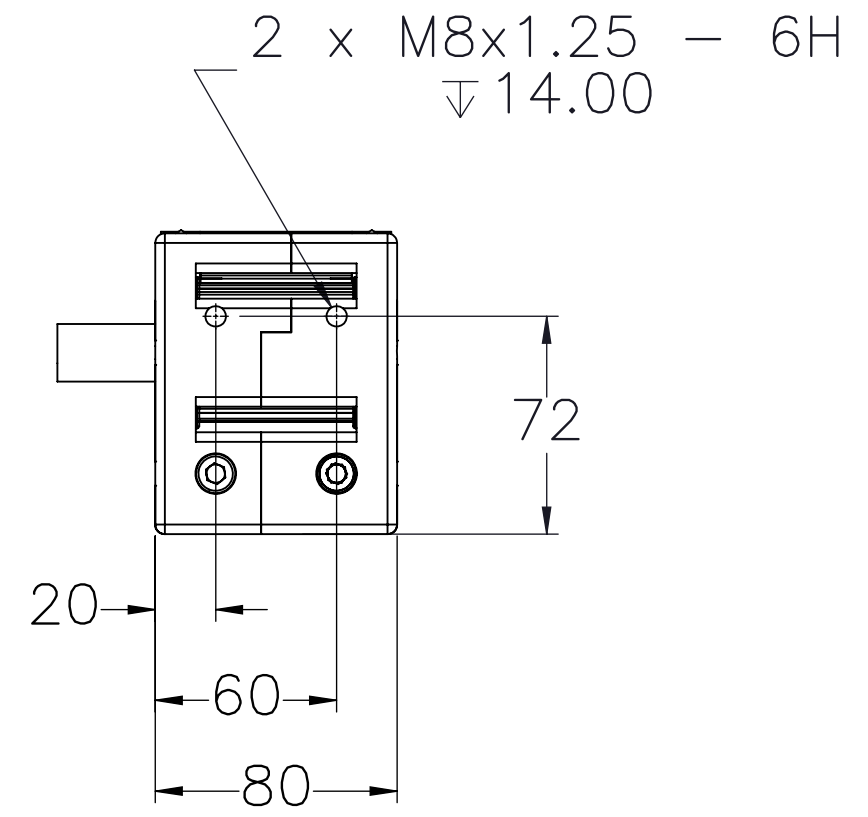
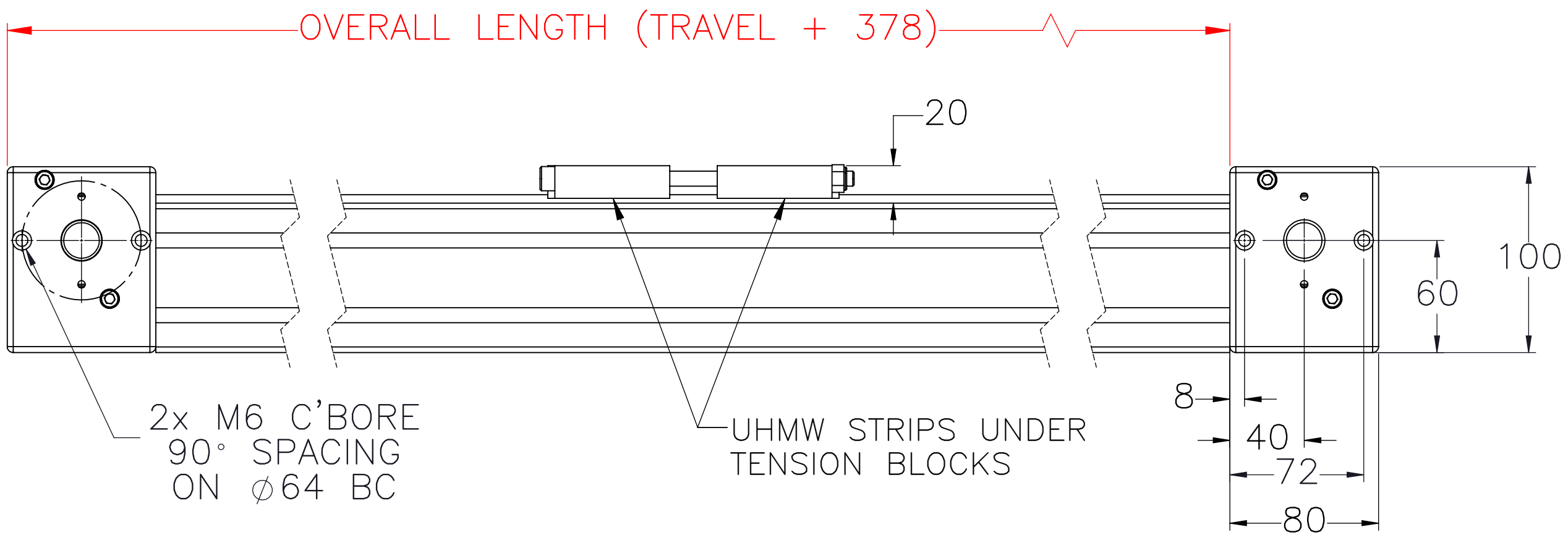
**SELECT**  
DRIVE SHAFT LOCATION\*

**SHAFTING TYPE**  
A0= SINGLE SHAFTED  
B0= DOUBLE SHAFTED  
AM= SINGLE SHAFTED W/ MOTOR MOUNT  
BM= DOUBLE SHAFTED W/ MOTOR MOUNT



1\*

3\*

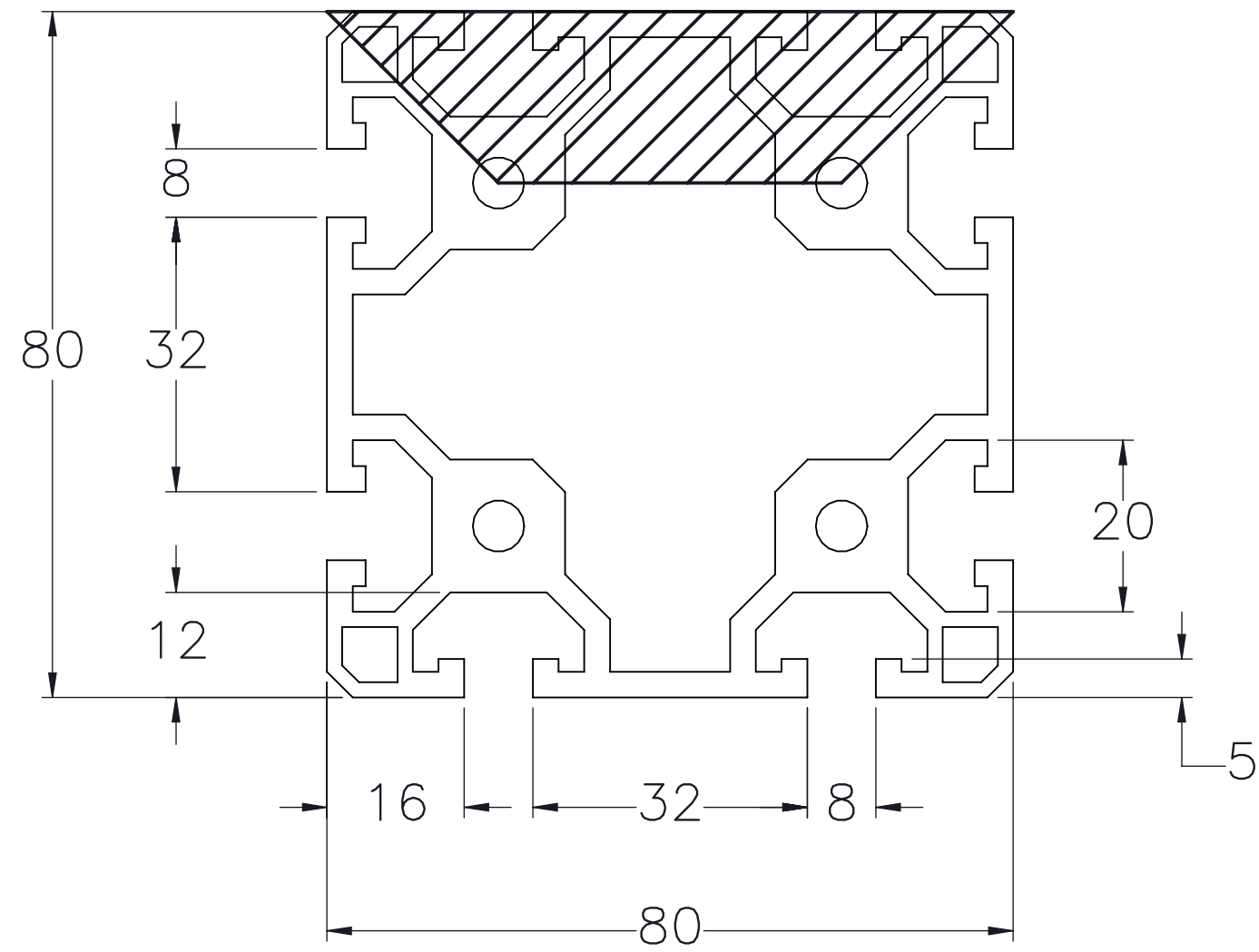


APPROVED: \_\_\_\_\_

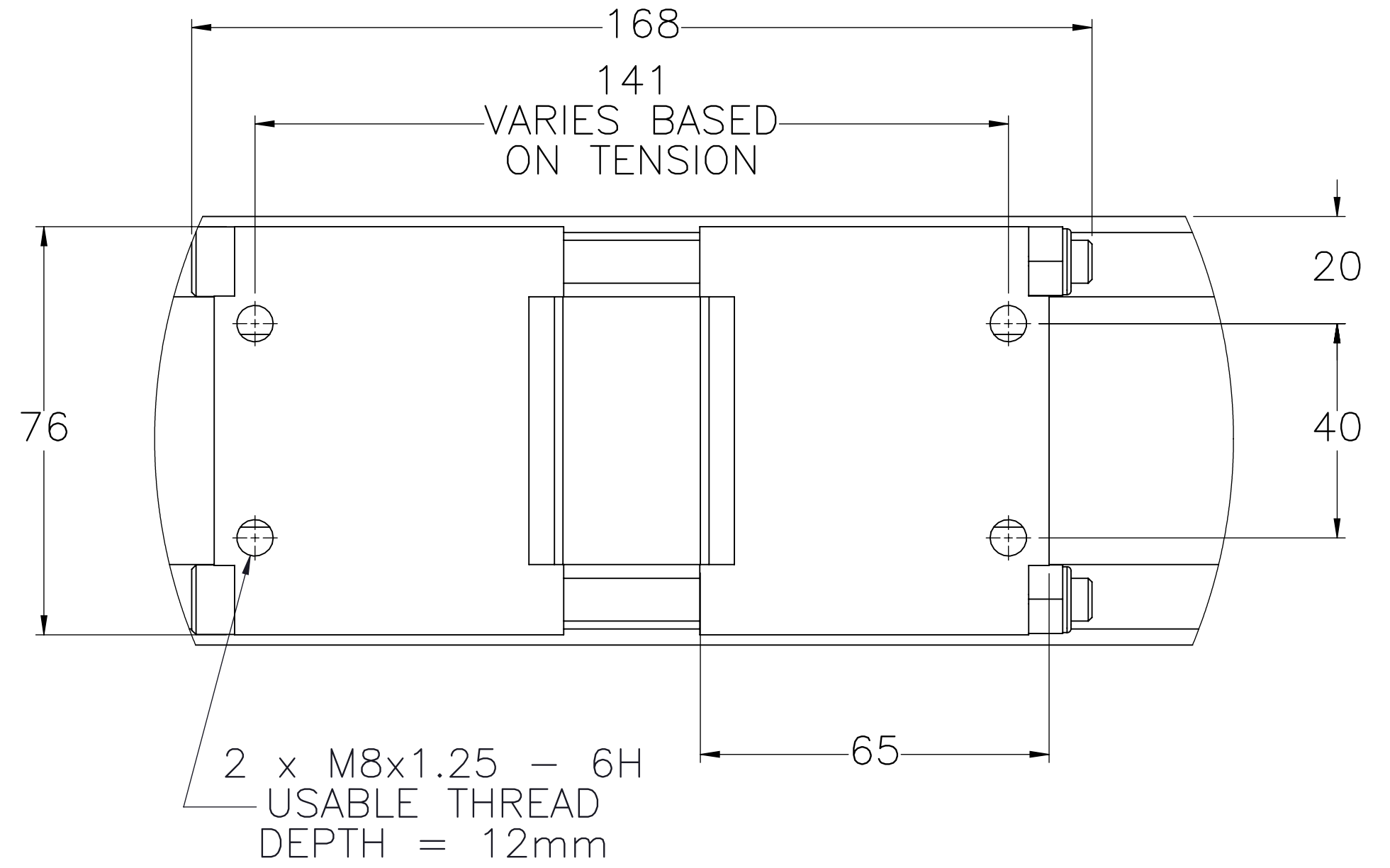
DATE: \_\_\_\_\_

<p>MACRON DYNAMICS INC</p>	DRAWN BY: PHW      DATE: 11/26/2017 CHECKED BY: --      DATE: DD/MM/YYYY LAST SAVED BY: Tim      DATE: 1/5/2021	MATERIAL:	TITLE: MACRON SINGLE BELT DRIVE 50
	UNLESS OTHERWISE SPECIFIED, DIMENSIONS ARE IN MILLIMETER. TOLERANCES UNLESS NOTED OTHERWISE: .X ± .762 .XX ± .254 .XXX ± .127 ANG ± 0°30'	FINISH:	
	THIS DRAWING IS THE PROPERTY OF MACRON DYNAMICS. ANY REPRODUCTIONS SHALL BE FOR QUOTATION, MANUFACTURING, OR PURCHASING PURPOSES ONLY. RELEASE OF DRAWINGS TO OTHER CONCERNS DOES NOT CONSTITUTE LICENSING IN ANY WAY. INFORMATION CONTAINED HEREIN IS PROPRIETARY AND CONFIDENTIAL.	SURFACE FINISH: $\checkmark$ BREAK ALL SHARP EDGES DIMENSIONAL LIMITS APPLY AFTER FINISHING THIRD ANGLE PROJECTION	SCALE: 1:1      SHEET SIZE: C SHEET: 1 OF 2      PART NUMBER: MSA-SB5
	SPECIFICATIONS ARE SUBJECT TO CHANGE WITHOUT NOTICE	REV:	

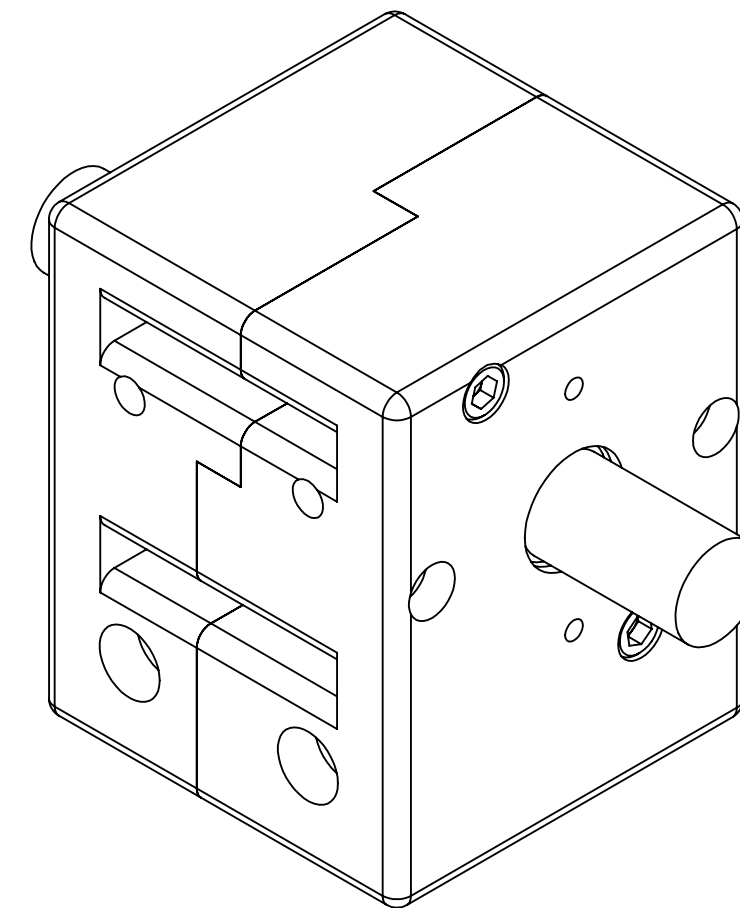
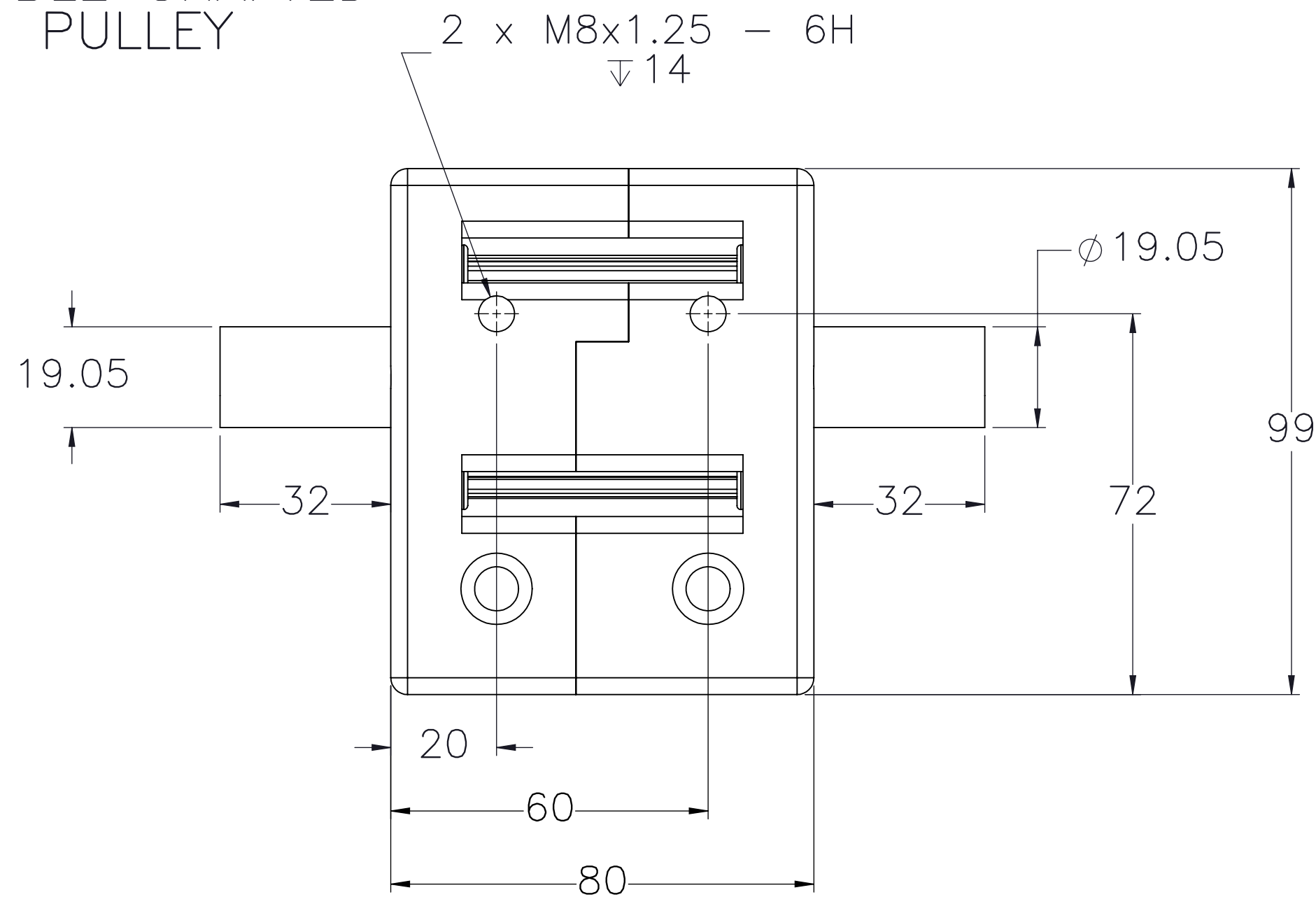
ACTUATOR BODY  
MOUNTING FEATURES  
T-NUT SLOTS




DETAILED CART  
VIEW A



DOUBLE SHAFTED  
PULLEY



 <b>MACRON DYNAMICS INC</b>	DRAWN BY: PHW CHECKED BY: -- LAST SAVED BY: Tim	DATE: 11/26/2017 DATE: DD/MM/YYYY DATE: 1/5/2021	MATERIAL:	TITLE: MACRON SINGLE BELT DRIVE 50	
	UNLESS OTHERWISE SPECIFIED, DIMENSIONS ARE IN MILLIMETER. TOLERANCES UNLESS NOTED OTHERWISE:		FINISH:	SCALE 1:1   SHEET SIZE C	
	SURFACE FINISH $\checkmark$		BREAK ALL SHARP EDGES DIMENSIONAL LIMITS APPLY AFTER FINISHING THIRD ANGLE PROJECTION	SHEET 2 OF 2	PART NUMBER MSA-SB5
	THIS DRAWING IS THE PROPERTY OF MACRON DYNAMICS. ANY REPRODUCTIONS SHALL BE FOR QUOTATION, MANUFACTURING, OR PURCHASING PURPOSES ONLY. RELEASE OF DRAWINGS TO OTHER CONCERNS DOES NOT CONSTITUTE LICENSING IN ANY WAY. INFORMATION CONTAINED HEREIN IS PROPRIETARY AND CONFIDENTIAL.		SPECIFICATIONS ARE SUBJECT TO CHANGE WITHOUT NOTICE		