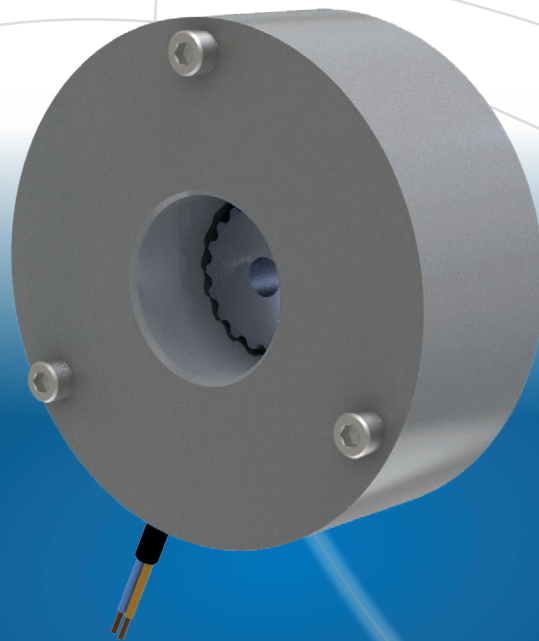




your reliable partner



ROBA-stop[®]-M Eco

Robust and reliable ROBA-stop[®]-M Eco

A new version of the proven Roba-stop[®]-M brake is now available.

The Roba-stop[®]-M Eco combines the robustness and reliability of the proven Roba-stop[®]-M while concentrating on the basic functionality of a safety brake.

The slim and resource-efficient solution for series applications!

Three construction sizes in two designs cover braking torques up to 32 Nm.

Best of all – you don't make any sacrifices:

The dynamic brake

- For regular dynamic braking actions
- High permitted friction work

The holding brake

- High holding torque
- For occasional dynamic braking actions (emergency stop)

Safe and reliable

- Enclosed construction
- Protection IP54
- Simple installation
- No adjustment work necessary



The brake is optionally available with hand release and/or with friction disk

Order Number

Nominal torque holding brake	0	0	Without additional parts
Nominal torque dynamic brake	1	1	Hand release
		2	Friction disk
		3	Hand release / Friction disk

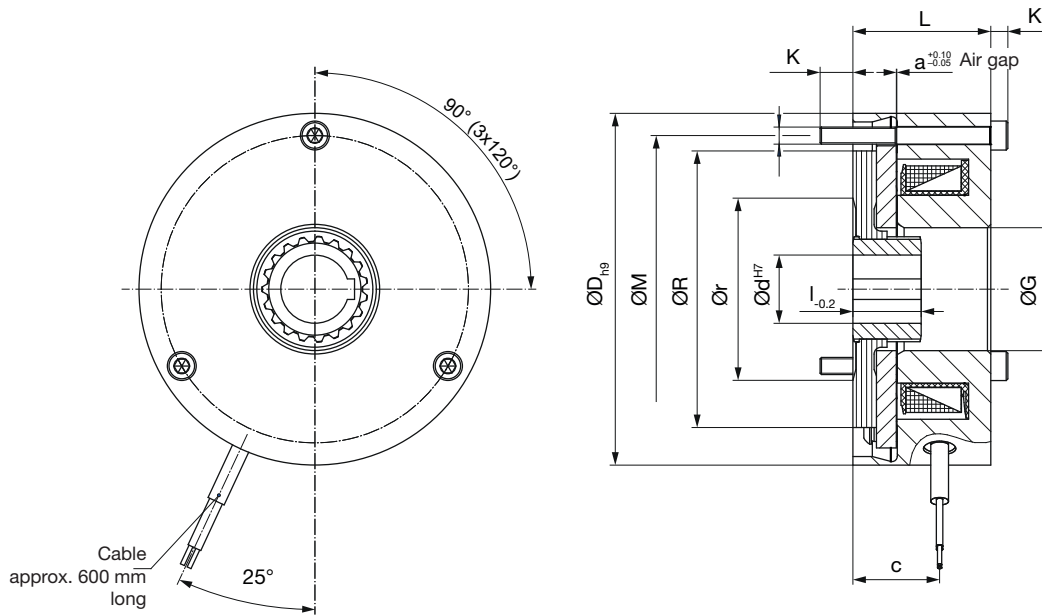
—	/	8	9	1	.	—	—	.	4
▲						▲			
Sizes									
4						2			
to						5			
16									

1) Applications for hoisting devices and gravity-loaded axes are only permitted with fiber composite rotor

Example: 16 / 891.210.4

ROBA-stop®-M Eco

Type 891. . . .4



Technical Data			Size					
			Type 891.2 . . .4			Type 891.5 . . .4		
			4	8	16	4	8	16
Braking torque ²	M_N	[Nm]	4	8	16	8	16	32
Maximum speed	n_{max}	[rpm]	5000	4000	3500	5000	4000	3500
Idle speed		[rpm]	8800	7000	5600	8800	7000	5600
Electrical power	P_N	[W]	26	26	40	26	26	40
Weight	m	[kg]	1.13	1.92	3.09	1.17	1.84	3.16
Maximum ambient temperature		[°C]	40			40		
Perm. friction work per braking action	$Q_{r zul}$	[Joule]	3000	6000	10000	3000	6000	7500

Dimensions	Size		
	4	8	16
a	0.15	0.2	0.2
c	25.5	25.4	27.8
d_{min}^{H7}	10	11	14
d_{max}^{H7}	15	20	25
D_{h9}	87	103	128
G	30	36	33
K	7	9.6	9.2
4	4	5	6
L	38	40.4	51.8
l	18	20	20
M	72	90	112
r	45	53	70
R	65	81	101
s	3 x M4	3 x M5	3 x M6

Bores	$\varnothing d_{min}$		$\varnothing d_{max}$	
	Size	DIN 6885/1-JS9	DIN 6885/1-JS9	DIN 6885/3-JS9
4	10	13	15	
8	11	18	20	
16	14	22	25	

Preferred bore when using sinter connections (Most cost-effective design)

Bores	$\varnothing d$	Please note
Size	DIN 6885/1-JS9	
4	10	Only for Type 891.210.4
8	15	-
16	20	-

2) Braking torque tolerance = +40 % / -20 % (friction lining pairing conditioning necessary, see Operational Instructions B.8.1.*)

Stammhaus

Chr. Mayr GmbH + Co. KG

Eichenstraße 1, D-87665 Mauerstetten

Tel.: +49 83 41/8 04-0, Fax: +49 83 41/80 44 21

www.mayr.com, E-Mail: public.mayr@mayr.com



Service Deutschland/Österreich

Baden-Württemberg

Esslinger Straße 7
70771 Leinfelden-Echterdingen
Tel.: 07 11/78 26 26 40
Fax: 07 11/78 26 26 39

Bayern

Industriestraße 51
82194 Gröbenzell
Tel.: 0 81 42/50 19 808

Chemnitz

Bornaer Straße 205
09114 Chemnitz
Tel.: 03 71/4 74 18 96
Fax: 03 71/4 74 18 95

Franken

Unterer Markt 9
91217 Hersbruck
Tel.: 0 91 51/81 48 64
Fax: 0 91 51/81 62 45

Kamen

Herbert-Wehner-Straße 2
59174 Kamen
Tel.: 0 23 07/24 26 79
Fax: 0 23 07/24 26 74

Nord

Schiefer Brink 8
32699 Extertal
Tel.: 0 57 54/9 20 77
Fax: 0 57 54/9 20 78

Rhein-Main

Kohlhäuser Str. 3-5
36043 Fulda
Tel.: 06 61/96 21 02 15

Österreich

Pummerinplatz 1, TIZ I, A27
4490 St. Florian, Österreich
Tel.: 0 72 24/2 20 81-12
Fax: 0 72 24/2 20 81 89

Niederlassungen

China

Mayr Zhangjiagang
Power Transmission Co., Ltd.
Fuxin Road No.1298, Yangshe Town
215637 Zhangjiagang
Tel.: 05 12/58 91-75 67
Fax: 05 12/58 91-75 66
info@mayr-ptc.cn

Frankreich

Mayr France S.A.S.
Z.A.L. du Minopole
Rue Nungesser et Coli
62160 Bully-Les-Mines
Tel.: 03.21.72.91.91
Fax: 03.21.29.71.77
contact@mayr.fr

Großbritannien

Mayr Transmissions Ltd.
Valley Road, Business Park
Keighley, BD21 4LZ
West Yorkshire
Tel.: 0 15 35/66 39 00
Fax: 0 15 35/66 32 61
sales@mayr.co.uk

Italien

Mayr Italia S.r.l.
Viale Veneto, 3
35020 Saonara (PD)
Tel.: 049/879 10 20
Fax: 049/879 10 22
info@mayr-italia.it

Japan

Mayr Japan LLC
2F, 1-1-9 Nihonbashi Kakigara-cho,
Chuo-ku Tokyo, 103-0014 Japan
Tel.: 03/35 27-29 00
Fax: 03/35 27-26 61
public.mayr@mayr.co.jp

Singapur

Mayr Transmission (S) PTE Ltd.
No. 8 Boon Lay Way Unit 03-06,
TradeHub 21
Singapore 609964
Tel.: 00 65/65 60 12 30
Fax: 00 65/65 60 10 00
info@mayr.com.sg

Schweiz

Mayr Kupplungen AG
Tobelackerstraße 11
8212 Neuhausen am Rheinfall
Tel.: 0 52/6 74 08 70
Fax: 0 52/6 74 08 75
info@mayr.ch

USA

Mayr Corporation
10 Industrial Avenue
Mahwah
NJ 07430
Tel.: 2 01/4 45-72 10
Fax: 2 01/4 45-80 19
info@mayrcorp.com

Vertretungen

Australien

Drive Systems Pty Ltd.
8/32 Melverton Drive
Hallam, Victoria 3803
Australien
Tel.: 0 3/97 96 48 00
info@drivesystems.com.au

Indien

National Engineering
Company (NENCO)
J-225, M.I.D.C.
Bhosari Pune 411026
Tel.: 0 20/27 13 00 29
Fax: 0 20/27 13 02 29
nenco@nenco.org

Niederlande

Groneman BV
Amarilstraat 11
7554 TV Hengelo OV
Tel.: 074/2 55 11 40
Fax: 074/2 55 11 09
aandrijftechniek@groneman.nl

Polen

Wamex Sp. z o.o.
ul. Pozaryskiego, 28
04-703 Warszawa
Tel.: 0 22/6 15 90 80
Fax: 0 22/8 15 61 80
wamex@wamex.com.pl

Südkorea

Mayr Korea Co. Ltd.
15, Yeondeok-ro 9beon-gil
Seongsan-gu
51571 Changwon-si
Gyeongsangnam-do. Korea
Tel.: 0 55/2 62-40 24
Fax: 0 55/2 62-40 25
info@mayrkorea.com

Taiwan

German Tech
Component Co., Ltd.
No.10-3, Ln. 358, Sec. 1,
Hemu Rd., Shengang Dist.,
429012 Taichung City
Tel.: +886 (4) 25150566
Fax: +886 (4) 25152413
abby@zfgta.com.tw

Tschechien

BMC - TECH s.r.o.
Hviezdoslavova 29 b
62700 Brno
Tel.: 05/45 22 60 47
Fax: 05/45 22 60 48
info@bmc-tech.cz

Türkei

Representative Office Türkei
Kucukbakkalkoy Mah.
Brandium Residence R2
Blok D:254
34750 Atasehir - Istanbul, Türkei
Tel.: 02 16/2 32 20 44
Fax: 02 16/5 04 41 72
info@mayr.com.tr

Weitere Vertretungen:

Belgien, Brasilien, Dänemark, Finnland, Griechenland, Hongkong, Indonesien, Israel, Kanada, Kolumbien, Kroatien, Luxemburg, Malaysia, Mexiko, Neuseeland, Norwegen, Philippinen, Portugal, Rumänien, Russland, Schweden, Slowakei, Slowenien, Südafrika, Spanien, Thailand, Ungarn

Die komplette Adresse Ihrer zuständigen Vertretung finden Sie unter www.mayr.com im Internet.

