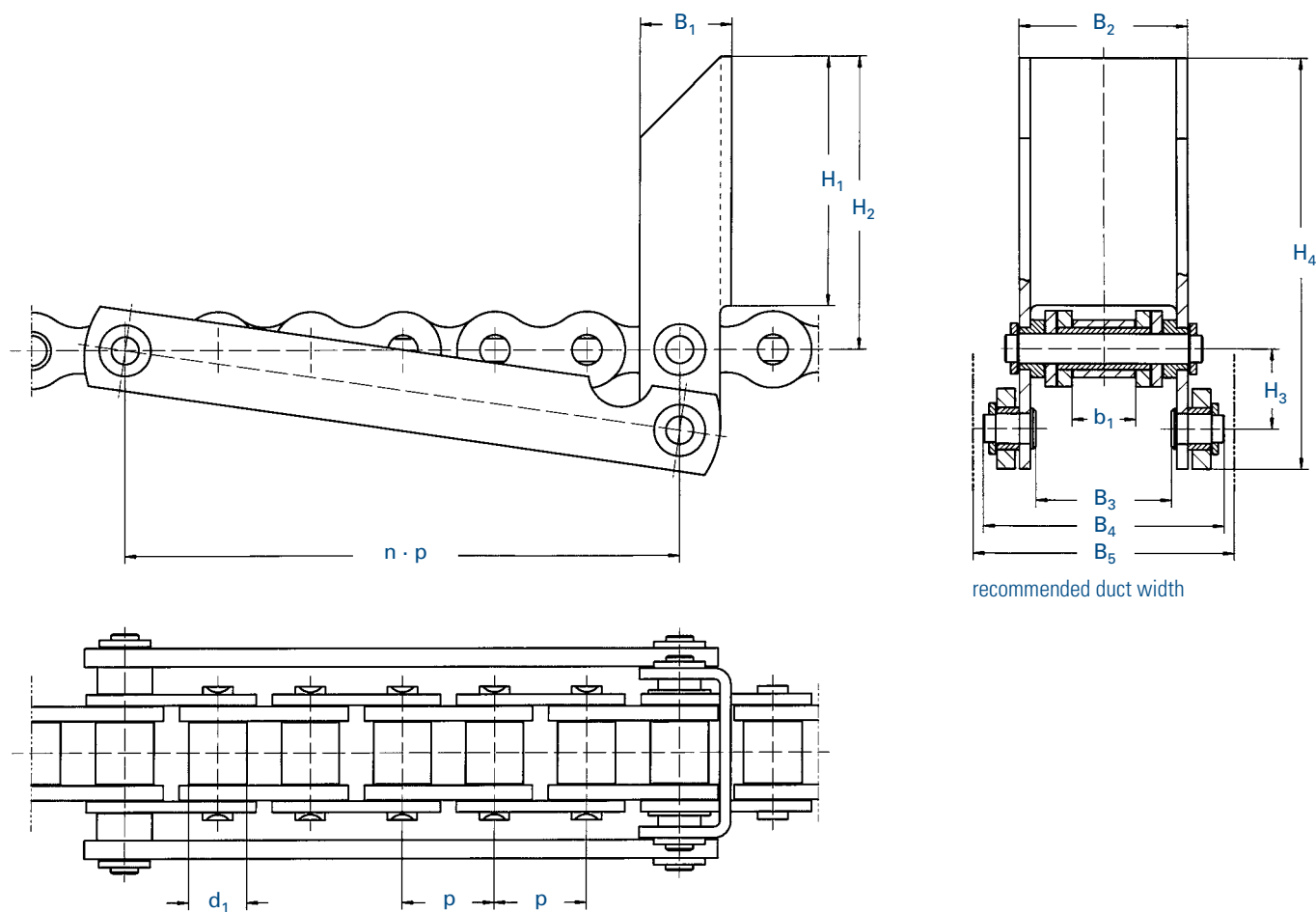




Pusher dog

Secure transport of general cargo

During conveyance the WIPPERMANN pusher is at right angles to the chain. In the deflection phase it submerges under the transported material without damaging it.



recommended duct width

Chain		Sprockets		Pitch p	Inner width b_1 min.	Roller \varnothing d_1 max.	Pusher dog dimensions									Thrust max. kN	
		Number of teeth	Hub \varnothing max.				B_1	B_2	B_3	B_4	B_5	H_1	H_2	H_3	H_4		n
No.	Ind.			mm	mm	mm	mm	mm	mm	mm	mm	mm	mm	mm	mm		
462 / M 120	¹⁰	20	32	12,700	7,75	8,51	18,0	25,0	19,0	35,0	40,0	22,0	29,0	11,0	46,0	5	0,5
501 / M 132	¹⁰	32	80	15,875	9,65	10,16	18,0	31,0	23,0	40,0	45,0	50,0	60,0	18,0	86,0	8	1,0
501 / M 133	¹⁰	24	60	15,875	9,65	10,16	18,0	31,0	23,0	40,0	45,0	50,0	60,0	14,0	82,0	6	1,0
548 / M 132	¹⁰	24	90	25,400	17,02	15,88	25,0	46,0	37,0	65,0	70,0	68,0	80,0	22,0	113,0	6	3,0

¹⁰ can also be supplied in stainless steel

All designs can also be supplied as MARATHON roller chains (maintenance-free), BIATHLON, BIATHLON KS, TRIATHLON and TRIATHLON KS! For details on orders and enquiries see page 132. For untoleranced dimensions DIN ISO 2768 c applies.