

**Under Pillow Block (UPB) Load cells**



**Features & Benefits:**

- ◆ Great sensitivity for superior accuracy
- ◆ M12 Connector
- ◆ ½ Bridge 250mV Voltage output
- ◆ IP 67 Enclosure Protection

**Specifications**

**Electrical**

Supply voltage..... 5 VDC  
 Output..... 250 mV, nominal @ full load  
 Gauge: Resistance..... 80 - 130 Ω  
     Type ..... semi-conductor  
 Non-Repeatability ..... ±0.2% full span  
 Non-Linearity & hysteresis (combined) ..... ±0.5% full span

**Connector (standard)**

Type ..... Male 4 pin M12  
 Pin 1..... Excitation  
 Pin 2..... Signal  
 Pin 3..... No connection  
 Pin 4..... Excitation  
 Cable length (including connector)..... 20 in. (500mm)  
 Non-standard cable (optional)..... By request  
 No connector (optional) ..... By request

**Load Rating\* lb. (N)**

25..... 100 (500)/225 (1000)/450 (2000)  
 50..... 100 (500)/250 (1250)/500 (2500)/1000 (5000)  
 75..... 1000 (5000)/2500 (12500)/5000 (25000)  
 120..... 5000 (25000)/10000 (50000)/20000 (100000)

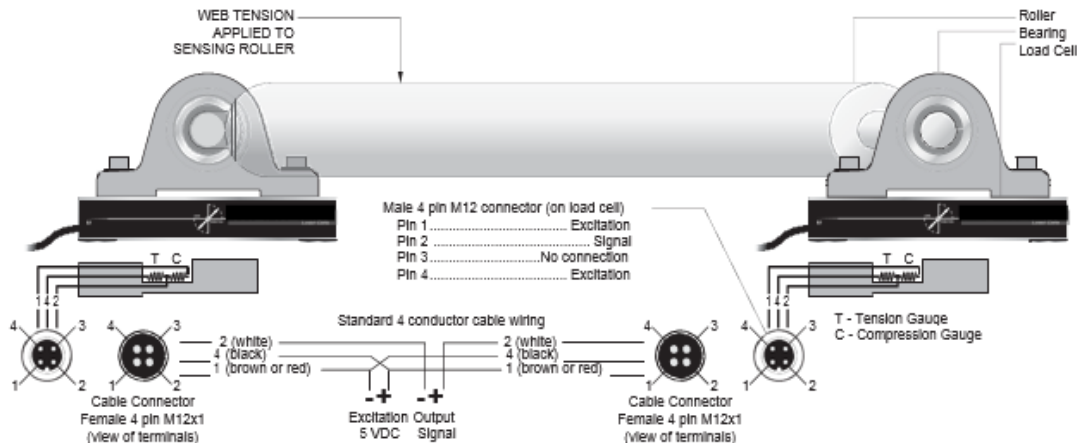
**Overload Rating lb. (N)**

25..... 600 (3000)  
 50..... 3000 (15000)  
 75..... 15000 (75000)  
 120..... 60000 (300000)  
 Overload stops ..... Factory set @ 110%  
 \* Recommended that Montalvo be contacted to ensure proper sizing.

**Environmental**

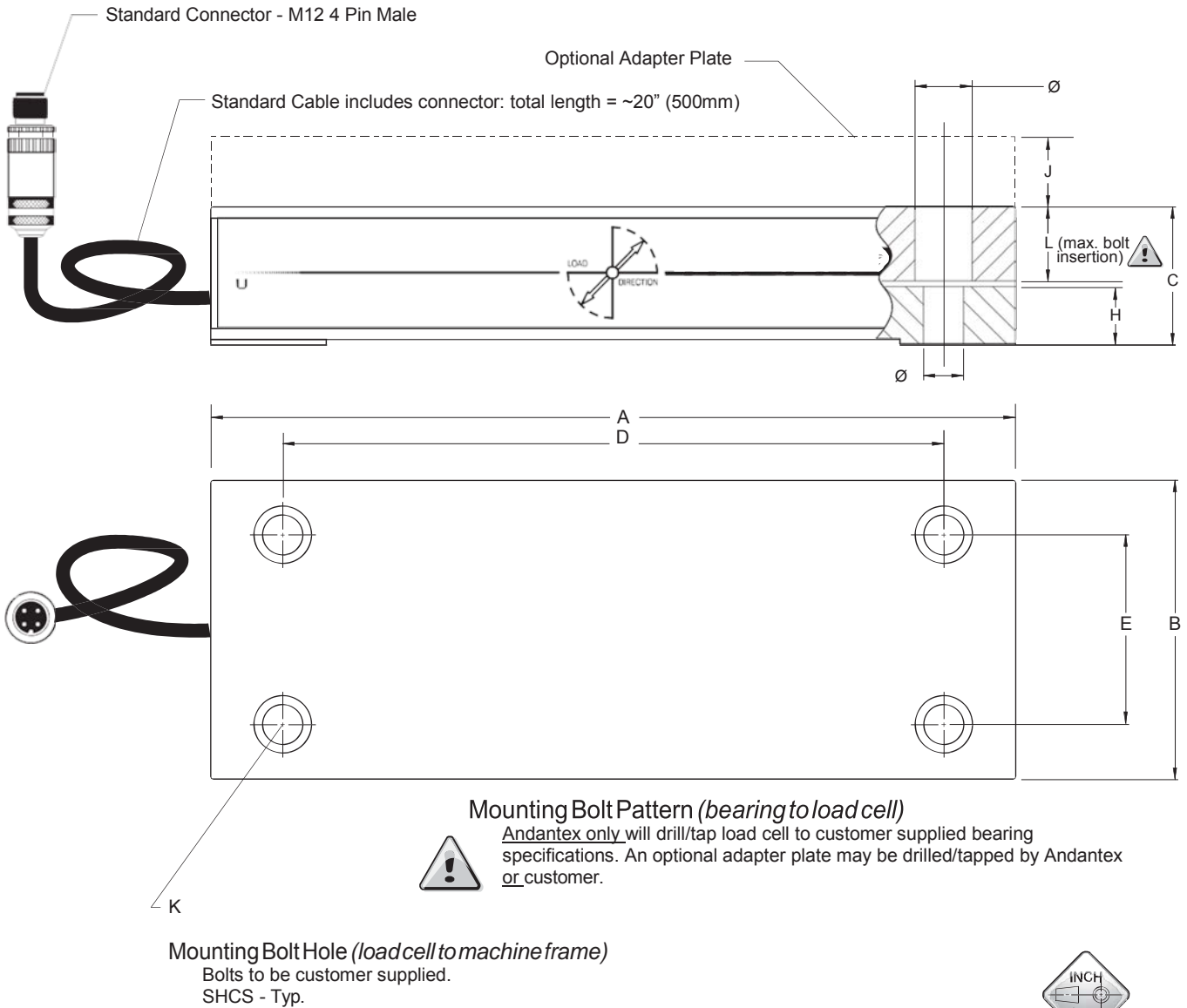
Enclosure protection class..... IP 67  
 Operating temp. °F (°C) ..... -4 to +176 (-20 to +80)

**Wiring**



## General information

### Dimensions



Size	A	B	C	D	E	ØF	ØG	H	J	K	L
UPB25	5.28 (134)	1.74 (44)	1.10 (28)	4.65 (118)	1.10 (28)	0.27 (7)	0.47 (12)	0.44 (11)	0.50 (12)	1/4" (M6)	0.63 (16)
UPB50	8.27 (210)	2.68 (68)	1.42 (36)	7.09 (180)	1.73 (44)	0.35 (9)	0.59 (15)	0.55 (14)	0.70 (19)	5/16" (M8)	0.78 (20)
UPB75	11.02 (280)	4.09 (104)	1.89 (48)	9.06 (230)	2.60 (66)	0.55 (14)	0.79 (20)	0.83 (21)	1.00 (25)	1/2" (M12)	1.02 (26)
UPB120	16.54 (420)	5.91 (150)	2.60 (66)	12.60 (320)	3.54 (90)	0.87 (22)	1.34 (34)	1.18 (30)	1.30 (34)	3/4" (M20)	1.34 (34)