

## ■ SRP

With SRP, flexibility, versatility, and high-performance are provided in a high-tech single package. REDEX offers this ready-to-use complete machine subassembly as a concept-drive to designers looking for the highest dynamic motion control.

# Planetary Reducer offering Universal Flanges

High-tech planetary reducer + universal flanges = highly versatile Drive solution.

- › Extra high tilting moment for high load applications
- › Rack and pinion zero backlash electrical or mechanical pre-load available
- › Complete library of accessories available: pinions, precision racks, ballscrew coupling, split pinion, lube system.
- › 100% compliant with machine-tool quality manufacturing and testing standards

Further information & calculation tools available on request.

 my REDEX

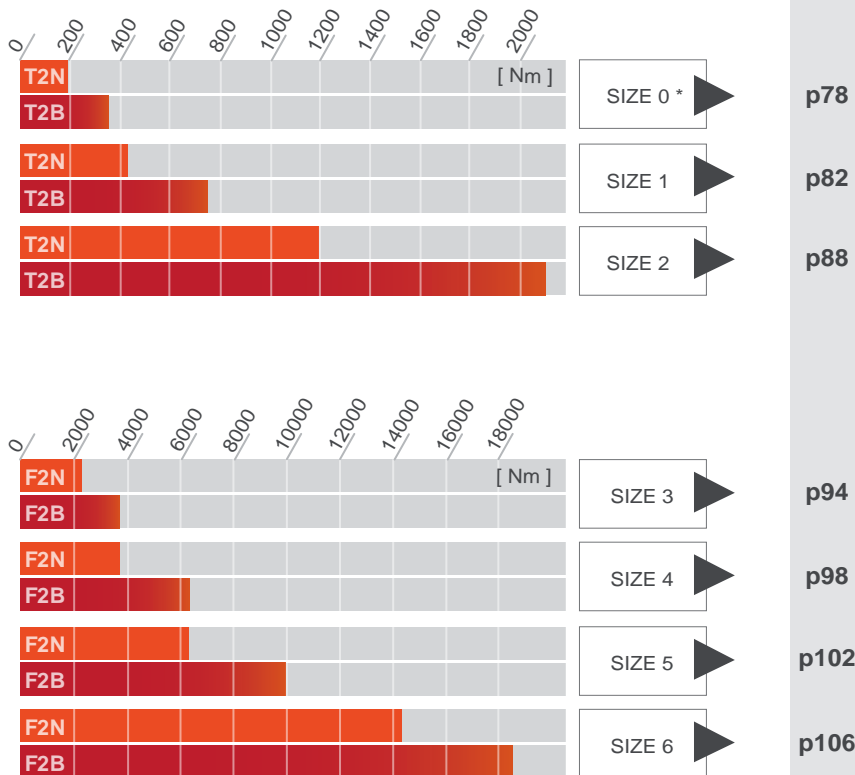
DriveSizer®

[www.my-redex.com](http://www.my-redex.com)



# Range Summary

through nominal & max. output torque



\* All above data related to Ratio 31, except Size 0 related to ratio 5

SRP

# SRP *SIZE 0*



## SRP0

Weight

Efficiency

Backlash

Color

## Ratio

Nominal output torque

Max. output torque

No load torque

No load torque

E-stop torque

Max. input speed

Nominal input speed

Max tilting moment

Tilting stiffness

Torsional stiffness

Torsional stiffness

Inertia

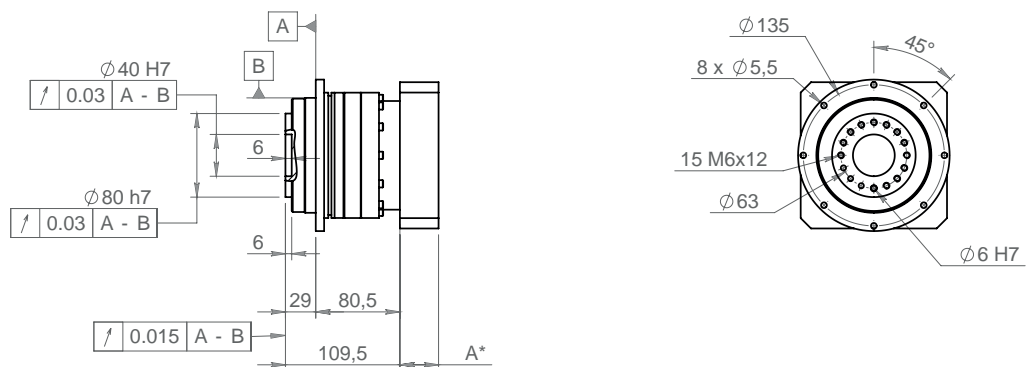
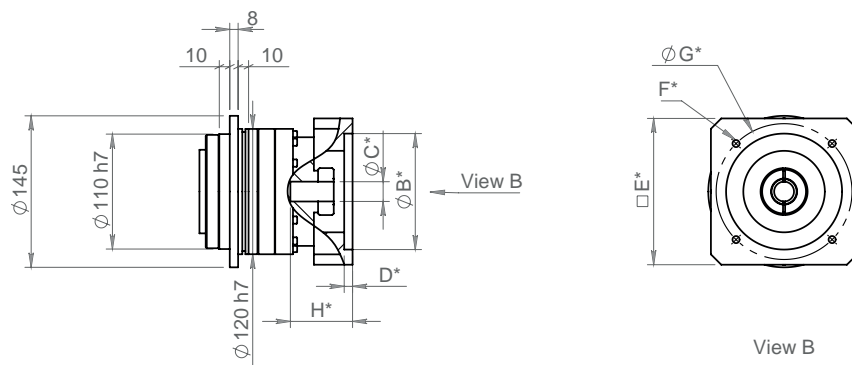
## General data

			<b>M</b>	<b>R</b>
<b>m</b>	kg	1 Stage	6,8	11,3
		2 Stages		
<b>η</b>	%	1 Stage	96	94
		2 Stages		
<b>J</b>	arcmin	Standard	3	4
		Reduced	1	2
			RAL2012	

## SRP Ratings

		<b>5</b>	<b>7</b>	<b>10</b>	17	21	31	46	61	91
<b>T2N</b>	Nm	200	200	200						
<b>T2B</b>	Nm	350	350	350						
<b>T01 +R</b>	Nm	2,5	2,5	2,5						
<b>T01 +M</b>	Nm	2	2	2						
<b>T2NOT</b>	Nm	625	625	625						
<b>n1B</b>	rpm	6000	6000	6000						
<b>n1N</b>	rpm	2000	2000	2000						
<b>T2K</b>	Nm	433	433	433						
<b>C2K</b>	Nm/ arcmin	576	576	576						
<b>C2t +R</b>	Nm/ rad	137510	120321	106570						
	Nm/arcmin	40	35	31						
<b>C2t +M</b>	Nm/ rad	189076	168450	137510						
	Nm/arcmin	55	49	40						
<b>I +M</b>	kg.mm <sup>2</sup>	354	306	278						
<b>I +R</b>	kg.mm <sup>2</sup>	1279	1231	1206						

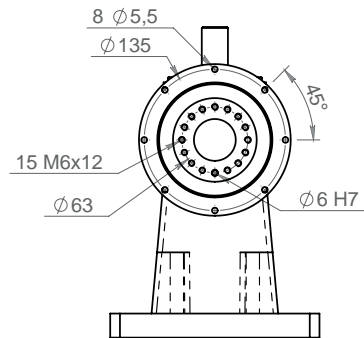
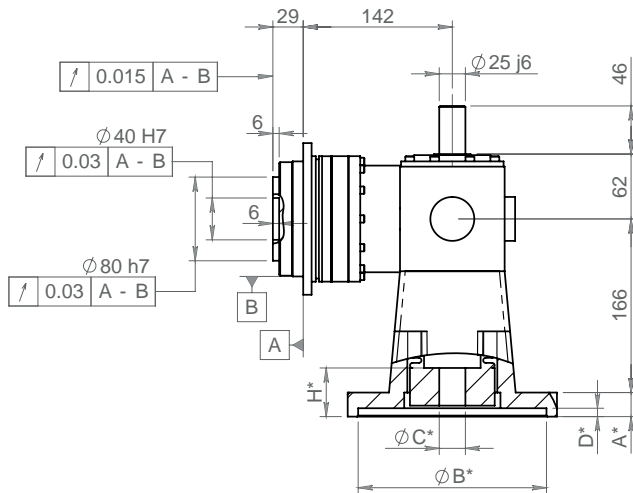
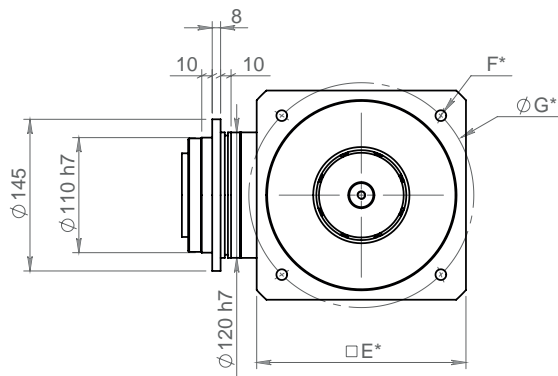
## DIMENSIONS - TYPE M



	IFA 100 11/19	IFA 140 11/19	IFA 140 22/32	IFA200 22/32
<b>A</b>	27	27	37	42
<b>E</b>	100	140	140	200
<b>H</b>	49	49	59	64

\*B C D F G According to motor dimensions  
Tapping depth = 1.5x0 thread

# DIMENSIONS - TYPE R



	MF2 140	MF2 200
<b>A</b>	23	23
<b>E</b>	140	200
<b>H</b>	80	80

\*B C D F G According to motor dimensions  
Tapping depth = 1.5x0 thread

Dimensions and main data for information only - Please consult us and / or refer to Products Datasheets  
For accurate selection, contact your local supplier

# SRP *SIZE 1*



## SRP1

Weight

Efficiency

Backlash

Color

## Ratio

Nominal output torque

Max. output torque

No load torque

No load torque

E-stop torque

Max. input speed

Nominal input speed

Max tilting moment

Tilting stiffness

Torsional stiffness

Torsional stiffness

Inertia

## General data

			<b>M</b>	<b>R</b>
<b>m</b>	kg	1 Stage	13,8	18,3
		2 Stages	14,9	17
<b>η</b>	%	1 Stage	96	94
		2 Stages	93	91
<b>J</b>	arcmin	Standard	3	4
		Reduced	1	2
RAL2012				

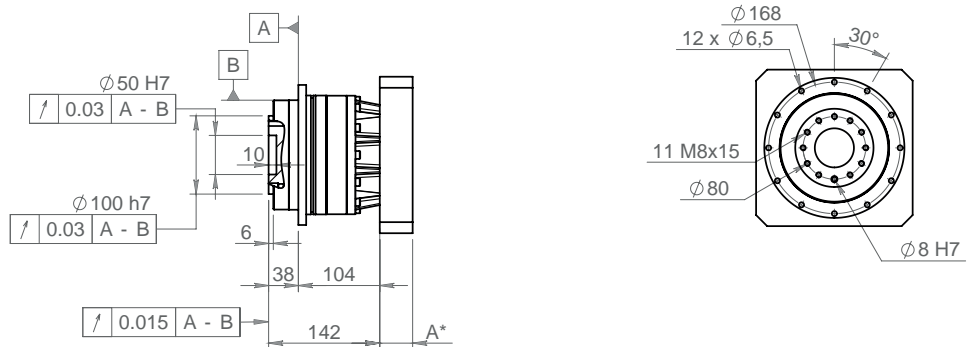
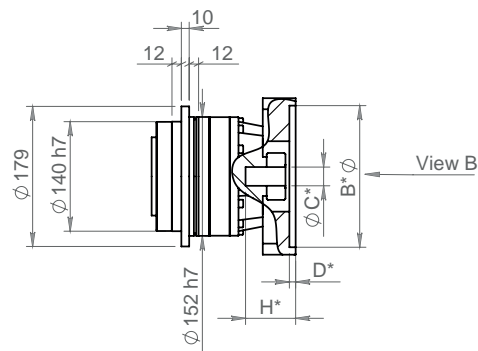
## Technical features

		<b>5</b>	<b>7</b>	<b>10</b>	<b>17</b>	<b>21</b>	<b>31</b>	<b>46</b>	<b>61</b>	<b>91</b>
<b>T2N</b>	Nm	370	380	270	390	305	430	270	375	270
<b>T2B</b>	Nm	648	665	473	683	534	753	473	656	473
<b>T01 +R</b>	Nm	5	5	5	1,5	1,5	1,5	1,5	1,5	1,5
<b>T01 +M</b>	Nm	4,5	4,5	4,5	1	1	1	1	1	1
<b>T2NOT</b>	Nm	1250	1250	1250	1250	1250	1250	1250	1250	1250
<b>n1B</b>	rpm	5000	5000	5000	6000	6000	6000	6000	6000	6000
<b>n1N</b>	rpm	1600	1600	1600	2600	2600	2600	2600	2600	2600
<b>T2K</b>	Nm	1490	1490	1490	1490	1490	1490	1490	1490	1490
<b>C2K</b>	Nm/ arcmin	650	650	650	650	650	650	650	650	650
<b>C2t +R</b>	Nm/ rad	295646	250956	213140		237205	254393	237205	247518	278457
	Nm/arcmin	86	73	62		69	74	69	72	81
<b>C2t +M</b>	Nm/ rad	412530	350650	309397	292208	292208	261269	240642	247518	278457
	Nm/arcmin	120	102	90	85	85	76	70	72	81
<b>I +M</b>	kg.mm <sup>2</sup>	922	767	684	291	271	260	255	246	245
<b>I +R</b>	kg.mm <sup>2</sup>	2479	2324	2241		460	449	443	435	434



# SRP SIZE 1

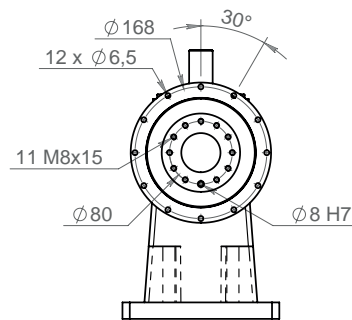
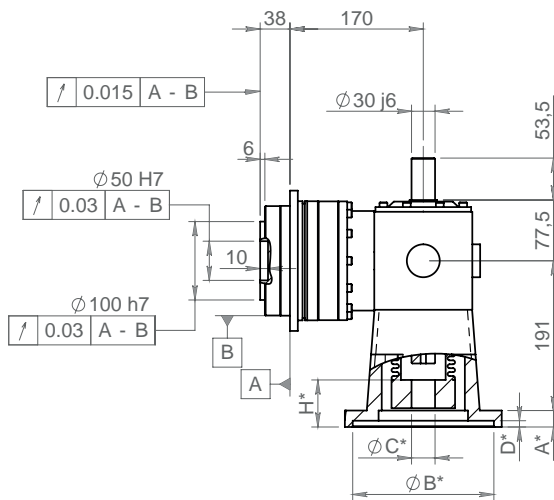
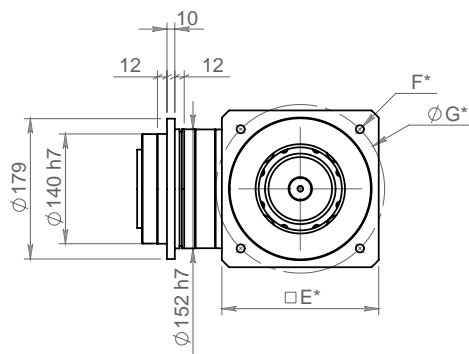
## DIMENSIONS - TYPE M 1 stage



	IFB 140 14/24	IFB 140 28/38	IFB 200 28/38	IFB 260 28/38
<b>A</b>	37	42	57	64
<b>E</b>	140	140	200	260
<b>H</b>	59	65	80	87

\*B C D F G According to motor dimensions  
Tapping depth = 1.5x0 thread

# DIMENSIONS - TYPE R 1 stage

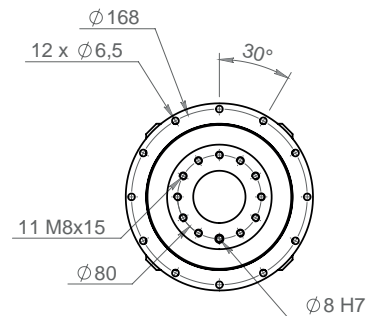
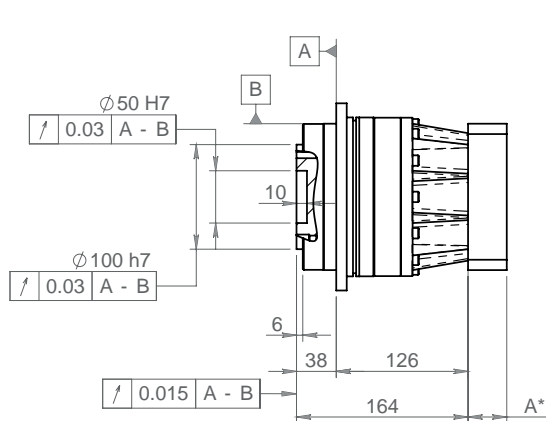
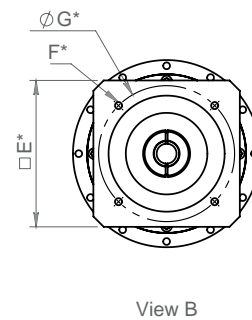
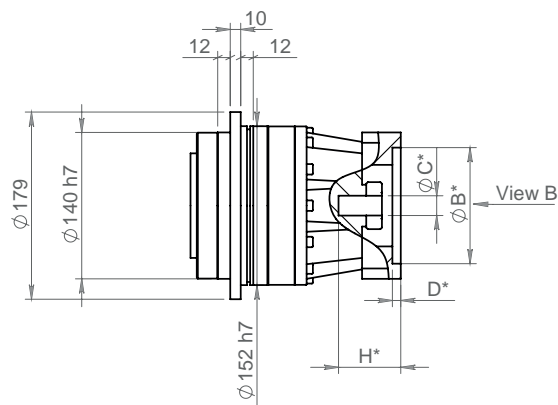


	MF3 140	MF3 200	MF3 260
<b>A</b>	21	21	24
<b>E</b>	140	200	260
<b>H</b>	80	80	83

\*B C D F G According to motor dimensions  
Tapping depth = 1.5x0 thread

Dimensions and main data for information only - Please consult us and / or refer to Products Datasheets  
For accurate selection, contact your local supplier

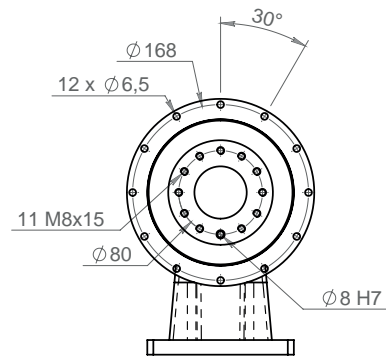
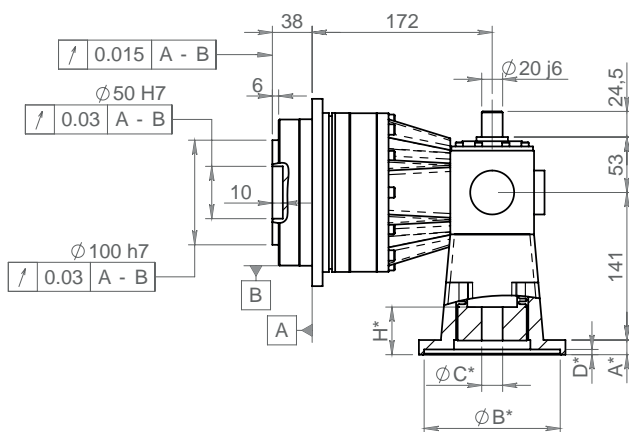
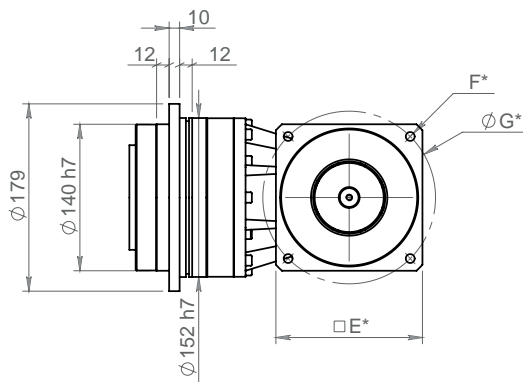
## DIMENSIONS - TYPE M 2 stages



	IFA 100 11/19	IFA 140 11/19	IFA 140 22/32	IFA200 22/32
<b>A</b>	27	27	37	42
<b>E</b>	100	140	140	200
<b>H</b>	49	49	59	64

\*B C D F G According to motor dimensions  
Tapping depth = 1.5x0 thread

# DIMENSIONS - TYPE R 2 stages



	MF1 100	MF1 140	MF1 200
<b>A</b>	14	14	18
<b>E</b>	100	140	200
<b>H</b>	62	62	66

\*B C D F G According to motor dimensions  
Tapping depth = 1.5x0 thread

Dimensions and main data for information only - Please consult us and / or refer to Products Datasheets  
For accurate selection, contact your local supplier

# SRP *SIZE 2*



## SRP2

Weight

Efficiency

Backlash

Color

## Ratio

Nominal output torque

Max. output torque

No load torque

No load torque

E-stop torque

Max. input speed

Nominal input speed

Max tilting moment

Tilting stiffness

Torsional stiffness

Torsional stiffness

Inertia

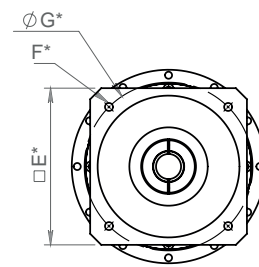
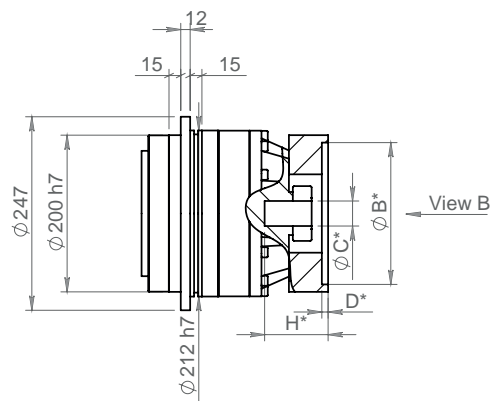
## General data

			<b>M</b>	<b>R</b>
<b>m</b>	kg	1 Stage	33,7	41,2
		2 Stages	35,7	40,2
<b>η</b>	%	1 Stage	96	94
		2 Stages	93	91
<b>J</b>	arcmin	Standard	3	4
		Reduced	1	2
RAL2012				

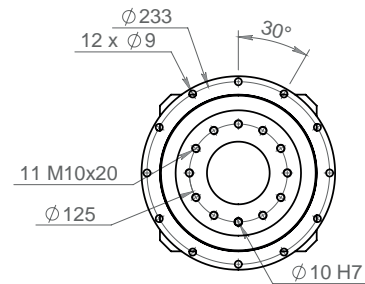
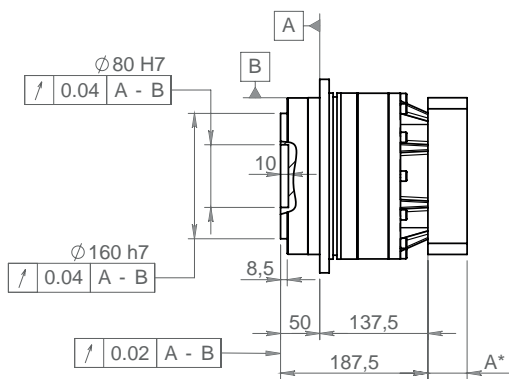
## Technical features

		<b>5</b>	<b>7</b>	<b>10</b>	<b>17</b>	<b>21</b>	<b>31</b>	<b>46</b>	<b>61</b>	<b>91</b>
<b>T2N</b>	Nm	1000	1000	800	1050	800	1200	800	1150	800
<b>T2B</b>	Nm	1750	1750	1400	1838	1400	2100	1400	2013	1400
<b>T01 +R</b>	Nm	8,8	8,8	8,8	2,3	2,3	2,3	2,3	2,3	2,3
<b>T01 +M</b>	Nm	8	8	8	2	2	2	2	2	2
<b>T2NOT</b>	Nm	2750	2750	2750	2750	2750	2750	2750	2750	2750
<b>n1B</b>	rpm	4000	4000	4000	6000	6000	6000	6000	6000	6000
<b>n1N</b>	rpm	1100	1100	1100	2100	2100	2100	2100	2100	2100
<b>T2K</b>	Nm	3520	3520	3520	3520	3520	3520	3520	3520	3520
<b>C2K</b>	Nm/ arcmin	1900	1900	1900	1900	1900	1900	1900	1900	1900
<b>C2t +R</b>	Nm/ rad	1038200	928192	749429		677236	794120	794120	866312	804433
	Nm/arcmin	302	270	218		197	231	231	252	234
<b>C2t +M</b>	Nm/ rad	1220400	1100079	886939	814746	814746	904127	825059	883501	807870
	Nm/arcmin	355	320	258	237	237	263	240	257	235
<b>I +M</b>	kg.mm <sup>2</sup>	3254	2095	1482	876	761	681	642	601	590
<b>I +R</b>	kg.mm <sup>2</sup>	11796	10664	7601		1361	1281	1242	1200	1190

## DIMENSIONS - TYPE M 1 stage



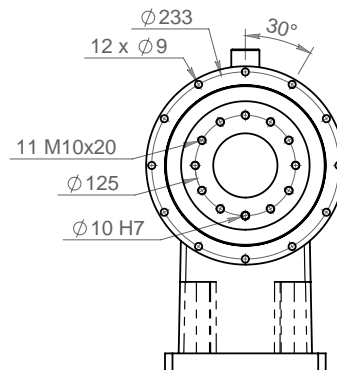
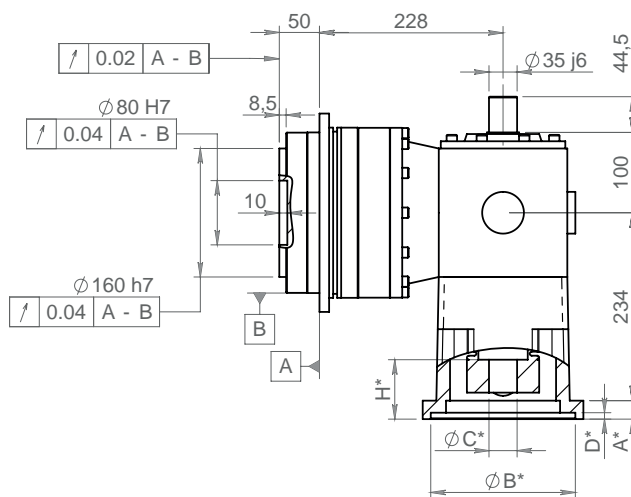
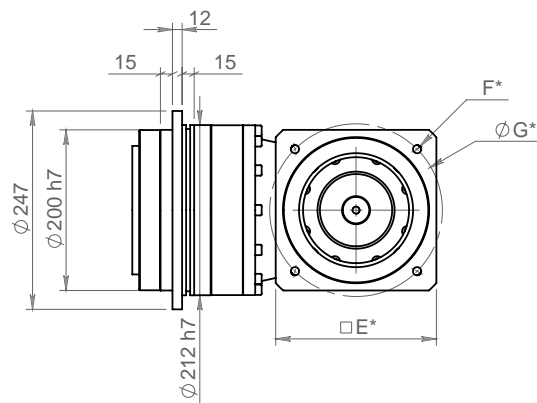
View B



	IFC 140 22/32	IFC 200 22/48	IFC 260 35/48
<b>A</b>	42	50	51
<b>E</b>	140	200	260
<b>H</b>	73	81	82

\*B C D F G According to motor dimensions  
Tapping depth = 1.5x0 thread

# DIMENSIONS - TYPE R 1 stage



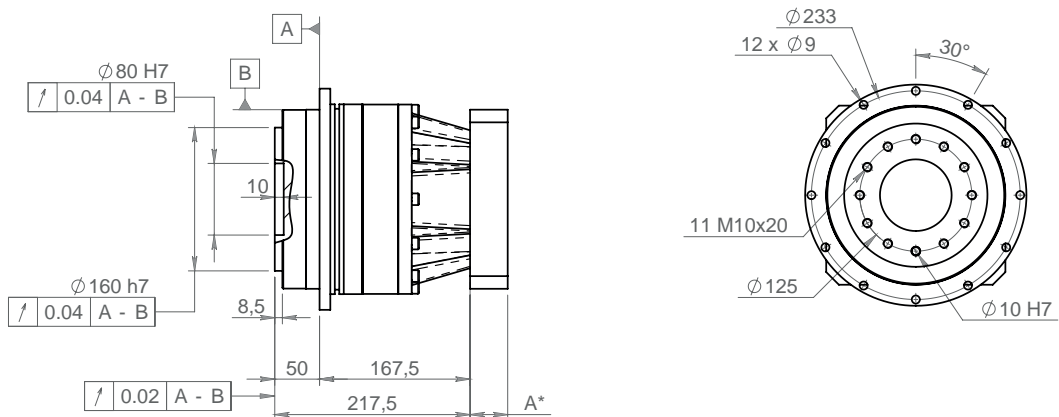
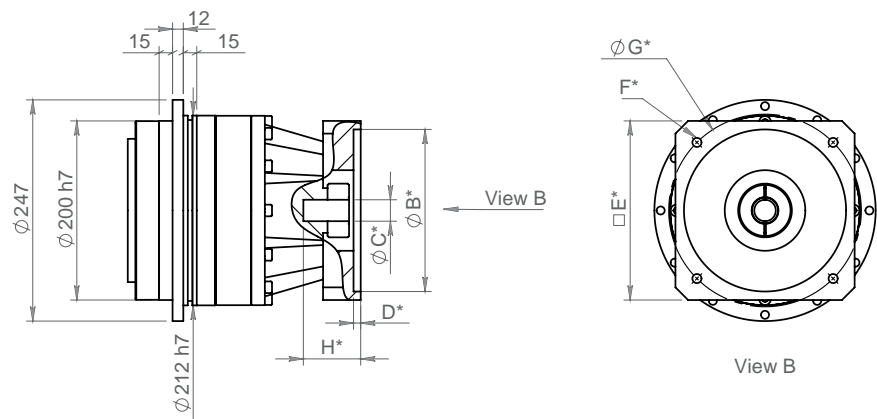
	MF4 200	MF4 260
<b>A</b>	23	23
<b>E</b>	200	260
<b>H</b>	110	110

\*B C D F G According to motor dimensions  
Tapping depth = 1.5x0 thread

Dimensions and main data for information only - Please consult us and / or refer to Products Datasheets  
For accurate selection, contact your local supplier



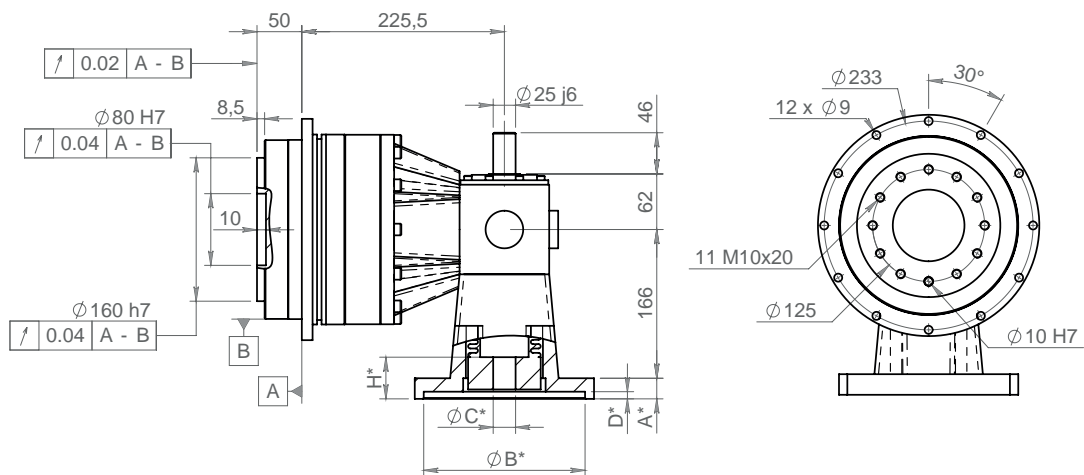
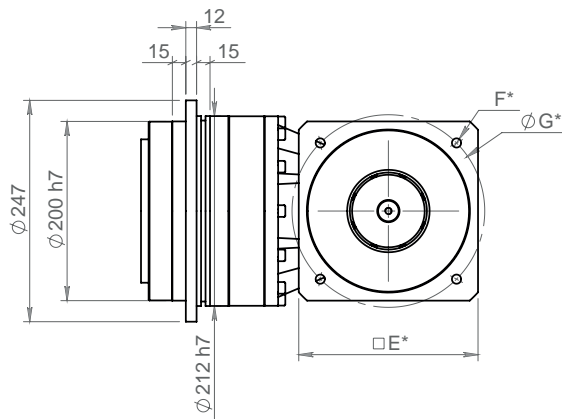
## DIMENSIONS - TYPE M 2 stages



	IFB 140 14/24	IFB 140 28/38	IFB 200 28/38	IFB 260 28/38
<b>A</b>	37	42	57	64
<b>E</b>	140	140	200	260
<b>H</b>	59	65	80	87

\*B C D F G According to motor dimensions  
Tapping depth = 1.5x0 thread

## DIMENSIONS - TYPE R 2 stages



	MF2 140	MF2 200
<b>A</b>	23	23
<b>E</b>	140	200
<b>H</b>	80	80

\*B C D F G According to motor dimensions  
Tapping depth = 1.5x0 thread

Dimensions and main data for information only - Please consult us and / or refer to Products Datasheets  
For accurate selection, contact your local supplier

# SRP *SIZE 3*



## SRP3

Weight

Efficiency

Backlash

Color

## Ratio

Nominal output torque

Max. output torque

No load torque

No load torque

E-stop torque

Max. input speed

Nominal input speed

Max tilting moment

Tilting stiffness

Torsional stiffness

Torsional stiffness

Inertia

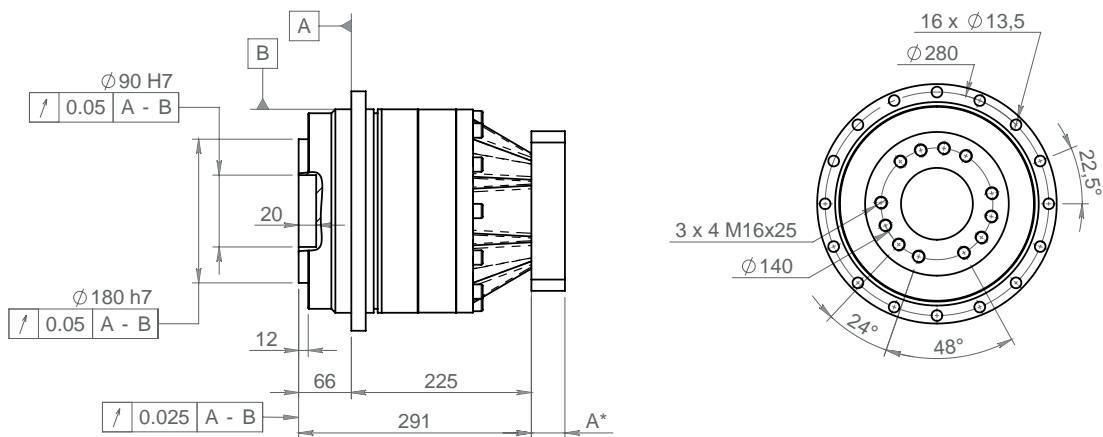
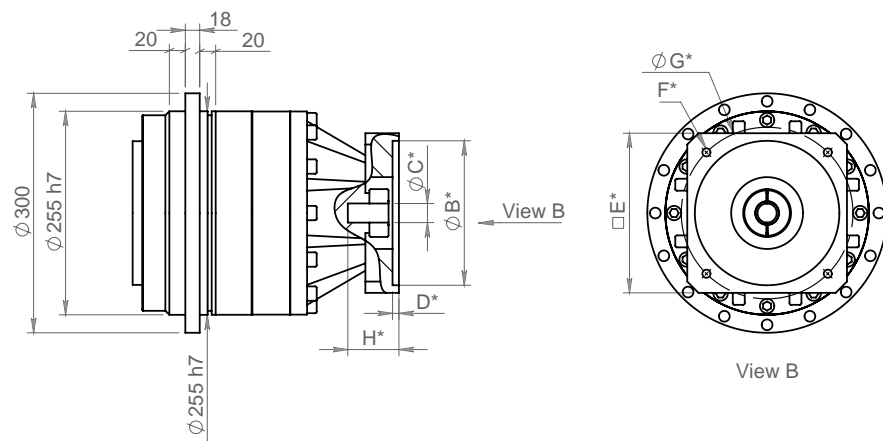
## General data

			<b>M</b>	<b>R</b>
<b>m</b>	kg	1 Stage		
		2 Stages	76	83,5
<b>η</b>	%	1 Stage		
		2 Stages	93	91
<b>J</b>	arcmin	Standard	3	4
		Reduced	1	2
RAL2012				

## Technical features

		<b>5</b>	<b>7</b>	<b>10</b>	<b>17</b>	<b>21</b>	<b>31</b>	<b>46</b>	<b>61</b>	<b>91</b>
<b>T2N</b>	Nm				1850	1500	2200	1410	1540	1540
<b>T2B</b>	Nm				3238	2625	3850	2468	2695	2695
<b>T01 +R</b>	Nm				2,8	2,8	2,8	2,8	2,8	2,8
<b>T01 +M</b>	Nm				2,5	2,5	2,5	2,5	2,5	2,5
<b>T2NOT</b>	Nm				8750	8750	8750	8750	8750	8750
<b>n1B</b>	rpm				5000	5000	5000	5000	5000	5000
<b>n1N</b>	rpm				1600	1600	1600	1600	1600	1600
<b>T2K</b>	Nm				6790	6790	6790	6790	6790	6790
<b>C2K</b>	Nm/ arcmin				6500	6500	6500	6500	6500	6500
<b>C2t +R</b>	Nm/ rad					1354472	1505733	1423227	1498858	1478231
	Nm/arcmin					394	438	414	436	430
<b>C2t +M</b>	Nm/ rad				1787628	1787628	1663869	1588239	1512609	1753251
	Nm/arcmin				520	520	484	462	440	510
<b>I +M</b>	kg.mm <sup>2</sup>				1382	1086	888	792	677	652
<b>I +R</b>	kg.mm <sup>2</sup>					2644	2445	2349	2235	2209

## DIMENSIONS - TYPE M



	IFB 140 14/24	IFB 140 28/38	IFB 200 28/38	IFB 260 28/38
<b>A</b>	37	42	57	64
<b>E</b>	140	140	200	260
<b>H</b>	59	65	80	87

\*B C D F G According to motor dimensions  
Tapping depth = 1.5x0 thread



# SRP *SIZE 4*



## SRP4

Weight

Efficiency

Backlash

Color

## Ratio

Nominal output torque

Max. output torque

No load torque

No load torque

E-stop torque

Max. input speed

Nominal input speed

Max tilting moment

Tilting stiffness

Torsional stiffness

Torsional stiffness

Inertia

## General data

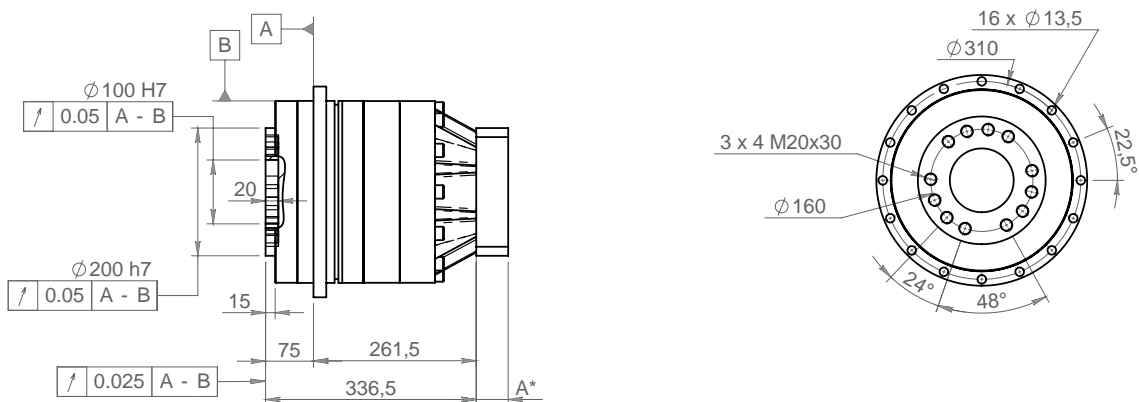
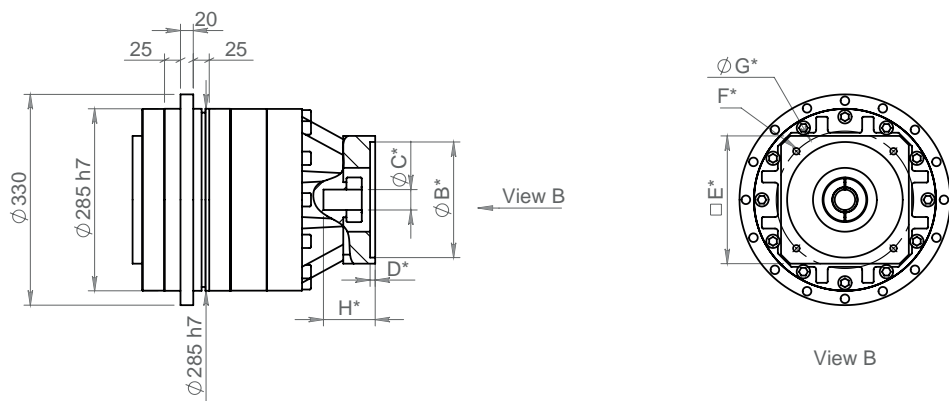
			<b>M</b>	<b>R</b>
<b>m</b>	kg	1 Stage		
		2 Stages	123	144
<b>η</b>	%	1 Stage		
		2 Stages	93	91
<b>J</b>	arcmin	Standard	3	4
		Reduced	1	2
			RAL2012	

## Technical features

		<b>5</b>	<b>7</b>	<b>10</b>	<b>17</b>	<b>21</b>	<b>31</b>	<b>46</b>	<b>61</b>	<b>91</b>
<b>T2N</b>	Nm				3500	3500	3600	2560	2840	2840
<b>T2B</b>	Nm				6125	6125	6300	4480	4970	4970
<b>T01 +R</b>	Nm				3,6	3,6	3,6	3,6	3,6	3,6
<b>T01 +M</b>	Nm				3	3	3	3	3	3
<b>T2NOT</b>	Nm				15000	15000	15000	15000	15000	15000
<b>n1B</b>	rpm				4000	4000	4000	4000	4000	4000
<b>n1N</b>	rpm				1300	1300	1300	1300	1300	1300
<b>T2K</b>	Nm				10100	10100	10100	10100	10100	10100
<b>C2K</b>	Nm/ arcmin				8700	8700	8700	8700	8700	8700
<b>C2t +R</b>	Nm/ rad					2475178	2471740	2289539	2444238	2382359
	Nm/arcmin					720	719	666	711	693
<b>C2t +M</b>	Nm/ rad				2681442	2681442	2681442	2468302	3025217	2471740
	Nm/arcmin				780	780	780	718	880	719
<b>I +M</b>	kg.mm <sup>2</sup>				3665	2395	1954	1732	1163	1103
<b>I +R</b>	kg.mm <sup>2</sup>					10936	8046	7824	7282	7222



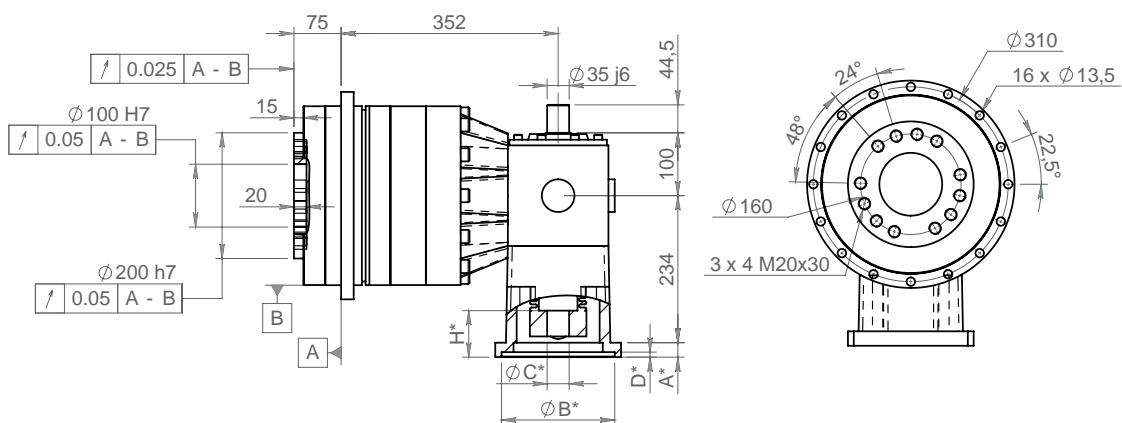
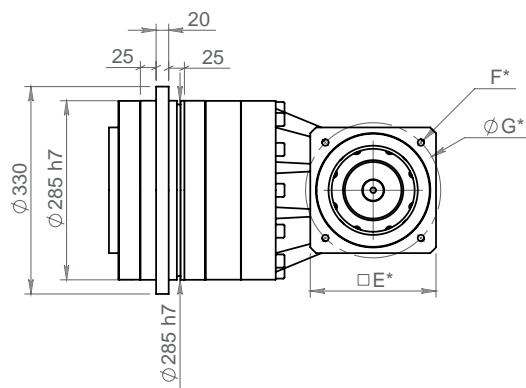
## DIMENSIONS - TYPE M



	IFC 140 22/32	IFC 200 22/48	IFC 260 35/48
<b>A</b>	42	50	51
<b>E</b>	140	200	260
<b>H</b>	73	81	82

\*B C D F G According to motor dimensions  
Tapping depth = 1.5x0 thread

# DIMENSIONS - TYPE R



	MF4 200	MF4 260
<b>A</b>	23	23
<b>E</b>	200	260
<b>H</b>	110	110

\*B C D F G According to motor dimensions  
Tapping depth = 1.5x0 thread

Dimensions and main data for information only - Please consult us and / or refer to Products Datasheets  
For accurate selection, contact your local supplier

# SRP *SIZE 5*



## SRP5 - Jumbo

Weight

Efficiency

Backlash

Color

## Ratio

Nominal output torque

Max. output torque

No load torque

No load torque

E-stop torque

Max. input speed

Nominal input speed

Max tilting moment

Tilting stiffness

Torsional stiffness

Torsional stiffness

Inertia

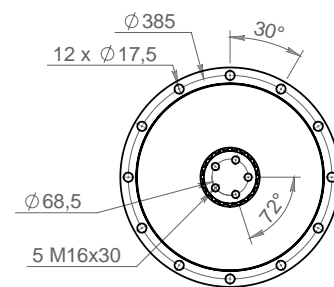
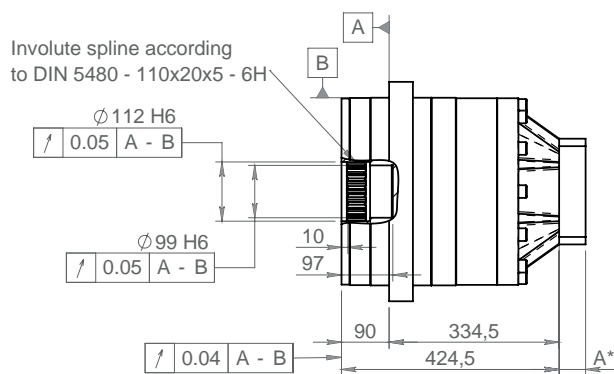
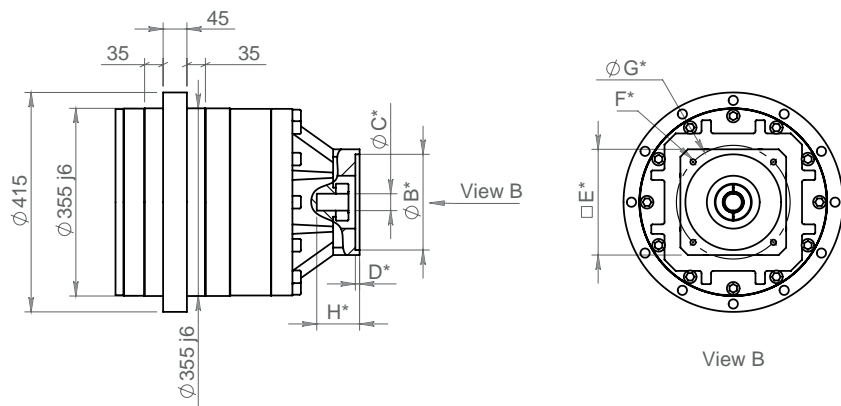
## General data

			<b>M</b>	<b>R</b>
<b>m</b>	kg	1 Stage		
		2 Stages	238	530
<b>η</b>	%	1 Stage		
		2 Stages	93	91
<b>J</b>	arcmin	Standard	3	4
		Reduced	1	2
			RAL2012	

## Technical features

		<b>5</b>	<b>7</b>	<b>10</b>	<b>17</b>	<b>21</b>	<b>31</b>	<b>46</b>	<b>61</b>	<b>91</b>
<b>T2N</b>	Nm					4700	6700	5500	5500	5500
<b>T2B</b>	Nm					7520	10050	8800	8800	8800
<b>T01 +R</b>	Nm					5,2	5,2	5,2	5,2	5,2
<b>T01 +M</b>	Nm					4,0	4,0	4,0	4,0	4,0
<b>T2NOT</b>	Nm					11500	11500	11500	11500	11500
<b>n1B</b>	rpm					4000	4000	4000	4000	4000
<b>n1N</b>	rpm					1000	1000	1000	1000	1000
<b>T2K</b>	Nm					30000	30000	30000	30000	30000
<b>C2K</b>	Nm/ arcmin					23900	23900	23900	23900	23900
<b>C2t +R</b>	Nm/ rad					1354472	1505733	1423227	1498858	1478231
	Nm/arcmin					394	438	414	436	430
<b>C2t +M</b>	Nm/ rad					4812845	4812845	3781521	4469071	3279610
	Nm/arcmin					1400	1400	1100	1300	954
<b>I +M</b>	kg.mm <sup>2</sup>					3176	2323	1905	1259	1147
<b>I +R</b>	kg.mm <sup>2</sup>					17900	17048	16629	15995	15884

## DIMENSIONS - TYPE M



	IFC 140 22/32	IFC 200 22/48	IFC 260 35/48
<b>A</b>	42	50	51
<b>E</b>	140	200	260
<b>H</b>	73	81	82

\*B C D F G According to motor dimensions  
Tapping depth = 1.5x0 thread



# SRP SIZE 6



## SRP6 - Jumbo

Weight

Efficiency

Backlash

Color

## Ratio

Nominal output torque

Max. output torque

No load torque

No load torque

E-stop torque

Max. input speed

Nominal input speed

Max tilting moment

Tilting stiffness

Torsional stiffness

Torsional stiffness

Inertia

## General data

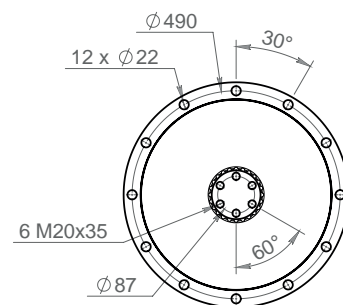
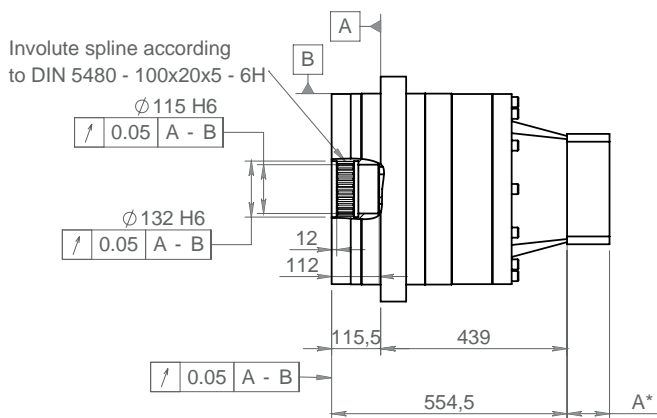
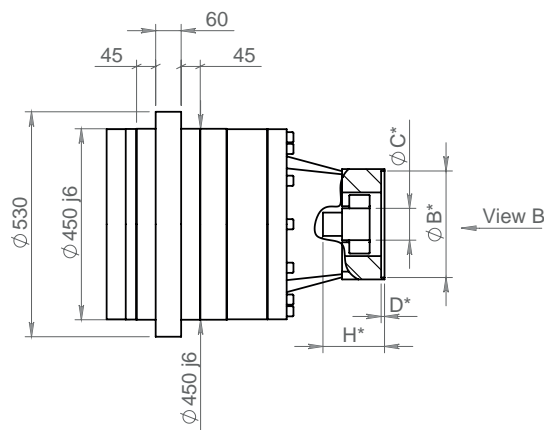
			<b>M</b>	<b>R</b>
<b>m</b>	kg	1 Stage		
		2 Stages	510	635
<b>η</b>	%	1 Stage		
		2 Stages	93	91
<b>J</b>	arcmin	Standard	3	4
		Reduced	1	2
			RAL2012	

## Technical features

		<b>5</b>	<b>7</b>	<b>10</b>	<b>17</b>	<b>21</b>	<b>31</b>	<b>46</b>	<b>61</b>	<b>91</b>
<b>T2N</b>	Nm					10700	14300	11050	8600	11050
<b>T2B</b>	Nm					16585	18590	17128	13330	17128
<b>T01 +R</b>	Nm					6,0	6,0	6,0	6,0	6,0
<b>T01 +M</b>	Nm					5,5	5,5	5,5	5,5	5,5
<b>T2NOT</b>	Nm					19060	19060	19060	19060	19060
<b>n1B</b>	rpm					3500	3500	3500	3500	3500
<b>n1N</b>	rpm					800	800	800	800	800
<b>T2K</b>	Nm					48000	48000	48000	48000	48000
<b>C2K</b>	Nm/ arcmin					39140	39140	39140	39140	39140
<b>C2t +R</b>	Nm/ rad					2475178	2471740	2289539	2444238	2382359
	Nm/arcmin					720	719	666	711	693
<b>C2t +M</b>	Nm/ rad					6517968	5923238	3781521	4469071	3279610
	Nm/arcmin					1896	1723	1100	1300	954
<b>I +M</b>	kg.mm <sup>2</sup>					15566	12770	11391	9645	9279
<b>I +R</b>	kg.mm <sup>2</sup>					47775	44978	43599	41881	41515



## DIMENSIONS - TYPE M



	IFD 260 35/48	IFD 260 48/55	IFD 260 60/75
<b>A</b>	71	105	105
<b>E</b>	260	260	260
<b>H</b>	125	159	149

\*B C D F G According to motor dimensions  
 Tapping depth = 1.5x0 thread

