

U.S. Tsubaki Power Transmission, LLC
 U.S. Tsubaki Holdings, Inc.
 Corporate Headquarters
 301 E. Marquardt Dr.
 Wheeling, IL 60090 USA

Toll Free: 800.323.7790

Phone: 847.459.9500

Fax: 847.459.9515

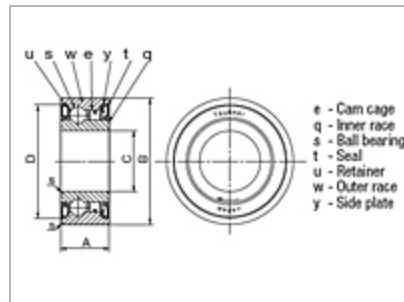
Email: sales@ustsubaki.com

Website: www.ustsubaki.com

BB-GD SERIES CAM CLUTCH

BB-GD Series Cam Clutches build upon the standard BB Series with the addition of complete rubber seals on both sides. The addition of rubber seals makes the BB-GD Series slightly wider (0.197", 5 mm)

[+ more](#)



1

<u>Item #</u>	<u>Torque Capacity</u>	<u>Max. Overrunning Inner Race</u>	<u>Max. Overrunning Outer Race</u>	<u>Drag Torque</u>	<u>A (Overall Width)</u>	<u>C (Bore Size)</u>	<u>Quantity</u>
---------------	------------------------	------------------------------------	------------------------------------	--------------------	--------------------------	----------------------	-----------------

<u>Item #</u>	<u>Torque Capacity</u>	<u>Max. Overrunning Inner Race</u>	<u>Max. Overrunning Outer Race</u>	<u>Drag Torque</u>	<u>A (Overall Width)</u>	<u>C (Bore Size)</u>	<u>Quantity</u>
<u>BB15GD</u>	21.0 lb•ft 29.0 N•m	3600 rpm	2000 rpm	0.030 lb•ft 0.04 N•m	0.630 in 16.00 mm	0.591 in 15.00 mm	1
<u>BB17GD</u>	32.0 lb•ft 43.0 N•m	3500 rpm	1900 rpm	0.037 lb•ft 0.05 N•m	0.669 in 17.00 mm	0.669 in 17.00 mm	1
<u>BB20GD</u>	45 lb•ft 61 N•m	3000 rpm	1600 rpm	0.041 lb•ft 0.06 N•m	0.748 in 19.00 mm	0.787 in 20.00 mm	1
<u>BB25GD</u>	58.0 lb•ft 78.0 N•m	2500 rpm	1400 rpm	0.041 lb•ft 0.06 N•m	0.787 in 20.00 mm	0.984 in 25.00 mm	1
<u>BB30GD</u>	103.0 lb•ft 140.0 N•m	2000 rpm	1100 rpm	0.043 lb•ft 0.06 N•m	0.827 in 21.00 mm	1.181 in 30.00 mm	1
<u>BB35GD</u>	128.0 lb•ft 173.0 N•m	1800 rpm	1000 rpm	0.044 lb•ft 0.06 N•m	0.866 in 22.00 mm	1.378 in 35.00 mm	1

<u>Item #</u>	<u>Torque Capacity</u>	<u>Max. Overrunning Inner Race</u>	<u>Max. Overrunning Outer Race</u>	<u>Drag Torque</u>	<u>A (Overall Width)</u>	<u>C (Bore Size)</u>	<u>Quantity</u>
<u>BB40GD</u>	192.0 lb·ft 260.0 N·m	1800 rpm	900 rpm	0.059 lb·ft 0.08 N·m	1.063 in 27.00 mm	1.575 in 40.00 mm	1
<u>BB15GDK</u>	21.0 lb·ft 29.0 N·m	3600 rpm	2000 rpm	0.030 lb·ft 0.04 N·m	0.630 in 16.00 mm	0.591 in 15.00 mm	1
<u>BB17GDK</u>	32.0 lb·ft 43.0 N·m	3500 rpm	1900 rpm	0.037 lb·ft 0.05 N·m	0.669 in 17.00 mm	0.669 in 17.00 mm	1
<u>BB20GDK</u>	45 lb·ft 61 N·m	3000 rpm	1600 rpm	0.041 lb·ft 0.06 N·m	0.748 in 19.00 mm	0.787 in 20.00 mm	1
<u>BB25GDK</u>	58.0 lb·ft 78.0 N·m	2500 rpm	1400 rpm	0.041 lb·ft 0.06 N·m	0.787 in 20.00 mm	0.984 in 25.00 mm	1
<u>BB30GDK</u>	103.0 lb·ft 140.0 N·m	2000 rpm	1100 rpm	0.043 lb·ft 0.06 N·m	0.827 in 21.00 mm	1.181 in 30.00 mm	1

<u>Item #</u>	<u>Torque Capacity</u>	<u>Max. Overrunning Inner Race</u>	<u>Max. Overrunning Outer Race</u>	<u>Drag Torque</u>	<u>A (Overall Width)</u>	<u>C (Bore Size)</u>	<u>Quantity</u>
<u>BB35GDK</u>	128.0 lb·ft 173.0 N·m	1800 rpm	1000 rpm	0.044 lb·ft 0.06 N·m	0.866 in 22.00 mm	1.378 in 35.00 mm	1
<u>BB40GDK</u>	192.0 lb·ft 260.0 N·m	1800 rpm	900 rpm	0.059 lb·ft 0.08 N·m	1.063 in 27.00 mm	1.575 in 40.00 mm	1