

U.S. Tsubaki Power Transmission, LLC
 U.S. Tsubaki Holdings, Inc.
 Corporate Headquarters
 301 E. Marquardt Dr.
 Wheeling, IL 60090 USA

Toll Free: 800.323.7790

Phone: 847.459.9500

Fax: 847.459.9515

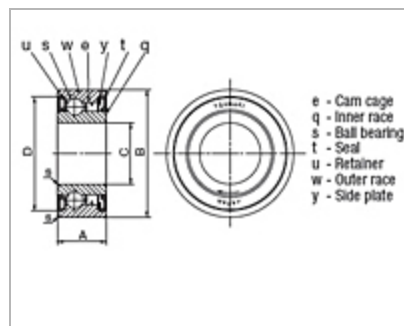
Email: sales@ustsubaki.com

Website: www.ustsubaki.com

BB SERIES CAM CLUTCH

BB Series Cam Clutches are a combination of a 62 Series ball bearing and a cam style clutch. These units are designed for press fit applications and are available in five variations, combinations of

[+ more](#)



1

<u>Item #</u>	<u>Torque Capacity</u>	<u>Max. Overrunning Inner Race</u>	<u>Max. Overrunning Outer Race</u>	<u>Drag Torque</u>	<u>Construction</u>	<u>C (Bore Size)</u>	<u>Qua</u>
<u>BB15</u>	21.4 lb•ft 29.0 N•m	3600 rpm	2000 rpm	0.007 lb•ft 0.01 N•m	Metal shield on one side, retainer on other side.	0.591 in 15.00 mm	

<u>Item #</u>	<u>Torque Capacity</u>	<u>Max. Overrunning Inner Race</u>	<u>Max. Overrunning Outer Race</u>	<u>Drag Torque</u>	<u>Construction</u>	<u>C (Bore Size)</u>	<u>Qua</u>
<u>BB17</u>	31.7 lb•ft 43.0 N•m	3500 rpm	1900 rpm	0.007 lb•ft 0.01 N•m	Metal shield on one side, retainer on other side.	0.669 in 17.00 mm	
<u>BB20</u>	45 lb•ft 61 N•m	3000 rpm	1600 rpm	0.010 lb•ft 0.01 N•m	Metal shield on one side, retainer on other side.	0.787 in 20.00 mm	
<u>BB25</u>	57.5 lb•ft 78.0 N•m	2500 rpm	1400 rpm	0.013 lb•ft 0.02 N•m	Metal shield on one side, retainer on other side.	0.984 in 25.00 mm	
<u>BB30</u>	103.3 lb•ft 140.0 N•m	2000 rpm	1100 rpm	0.022 lb•ft 0.03 N•m	Metal shield on one side, retainer on other side.	1.181 in 30.00 mm	
<u>BB35</u>	127.6 lb•ft 173.0 N•m	1800 rpm	1000 rpm	0.025 lb•ft 0.03 N•m	Metal shield on one side, retainer on other side.	1.378 in 35.00 mm	
<u>BB40</u>	191.8 lb•ft 260.0 N•m	1800 rpm	900 rpm	0.030 lb•ft 0.04 N•m	Metal shield on one side, retainer on other side.	1.575 in 40.00 mm	

Metal shield on one side,

<u>Item #</u>	<u>Torque Capacity</u>	<u>Max. Overrunning Inner Race</u>	<u>Max. Overrunning Outer Race</u>	<u>Drag Torque</u>	<u>Construction</u>	<u>C (Bore Size)</u>	<u>Qua</u>
<u>BB15K</u>	21.4 lb•ft 29.0 N•m	3600 rpm	2000 rpm	0.007 lb•ft 0.01 N•m	retainer on other side. Keyway on inside diameter of Cam Clutch. Includes key.	0.591 in 15.00 mm	
<u>BB17K</u>	31.7 lb•ft 43.0 N•m	3500 rpm	1900 rpm	0.007 lb•ft 0.01 N•m	Metal shield on one side, retainer on other side. Keyway on inside diameter of Cam Clutch. Includes key.	0.669 in 17.00 mm	
<u>BB20K</u>	45 lb•ft 61 N•m	3000 rpm	1600 rpm	0.010 lb•ft 0.01 N•m	Metal shield on one side, retainer on other side. Keyway on inside diameter of Cam Clutch. Includes key.	0.787 in 20.00 mm	
					Metal shield on one side,		

<u>Item #</u>	<u>Torque Capacity</u>	<u>Max. Overrunning Inner Race</u>	<u>Max. Overrunning Outer Race</u>	<u>Drag Torque</u>	<u>Construction</u>	<u>C (Bore Size)</u>	<u>Qua</u>
<u>BB25K</u>	57.5 lb•ft 78.0 N•m	2500 rpm	1400 rpm	0.013 lb•ft 0.02 N•m	retainer on other side. Keyway on inside diameter of Cam Clutch. Includes key.	0.984 in 25.00 mm	
<u>BB30K</u>	103.3 lb•ft 140.0 N•m	2000 rpm	1100 rpm	0.022 lb•ft 0.03 N•m	Metal shield on one side, retainer on other side. Keyway on inside diameter of Cam Clutch. Includes key.	1.181 in 30.00 mm	
<u>BB35K</u>	127.6 lb•ft 173.0 N•m	1800 rpm	1000 rpm	0.025 lb•ft 0.03 N•m	Metal shield on one side, retainer on other side. Keyway on inside diameter of Cam Clutch. Includes key.	1.378 in 35.00 mm	
					Metal shield on one side,		

<u>Item #</u>	<u>Torque Capacity</u>	<u>Max. Overrunning Inner Race</u>	<u>Max. Overrunning Outer Race</u>	<u>Drag Torque</u>	<u>Construction</u>	<u>C (Bore Size)</u>	<u>Qua</u>
<u>BB40K</u>	191.8 lb•ft 260.0 N•m	1800 rpm	900 rpm	0.030 lb•ft 0.04 N•m	retainer on other side. Keyway on inside diameter of Cam Clutch. Includes key.	1.575 in 40.00 mm	
<u>BB15KK</u>	21.4 lb•ft 29.0 N•m	3600 rpm	2000 rpm	0.007 lb•ft 0.01 N•m	Metal shield on one side, retainer on other side. Keyway on inside and outside diameter of Cam Clutch. Includes both keys.	0.591 in 15.00 mm	
<u>BB17KK</u>	31.7 lb•ft 43.0 N•m	3500 rpm	1900 rpm	0.007 lb•ft 0.01 N•m	Metal shield on one side, retainer on other side. Keyway on inside and outside diameter of Cam Clutch. Includes both keys.	0.669 in 17.00 mm	

<u>Item #</u>	<u>Torque Capacity</u>	<u>Max. Overrunning Inner Race</u>	<u>Max. Overrunning Outer Race</u>	<u>Drag Torque</u>	<u>Construction</u>	<u>C (Bore Size)</u>	<u>Qua</u>
<u>BB20KK</u>	45 lb•ft 61 N•m	3000 rpm	1600 rpm	0.010 lb•ft 0.01 N•m	Metal shield on one side, retainer on other side. Keyway on inside and outside diameter of Cam Clutch. Includes both keys.	0.787 in 20.00 mm	
<u>BB25KK</u>	57.5 lb•ft 78.0 N•m	2500 rpm	1400 rpm	0.013 lb•ft 0.02 N•m	Metal shield on one side, retainer on other side. Keyway on inside and outside diameter of Cam Clutch. Includes both keys.	0.984 in 25.00 mm	
					Metal shield on one side, retainer on		

<u>Item #</u>	<u>Torque Capacity</u>	<u>Max. Overrunning Inner Race</u>	<u>Max. Overrunning Outer Race</u>	<u>Drag Torque</u>	<u>Construction</u>	<u>C (Bore Size)</u>	<u>Qua</u>
<u>BB30KK</u>	103.3 lb•ft 140.0 N•m	2000 rpm	1100 rpm	0.022 lb•ft 0.03 N•m	other side. Keyway on inside and outside diameter of Cam Clutch. Includes both keys.	1.181 in 30.00 mm	
<u>BB35KK</u>	127.6 lb•ft 173.0 N•m	1800 rpm	1000 rpm	0.025 lb•ft 0.03 N•m	Metal shield on one side, retainer on other side. Keyway on inside and outside diameter of Cam Clutch. Includes both keys.	1.378 in 35.00 mm	
<u>BB40KK</u>	191.8 lb•ft 260.0 N•m	1800 rpm	900 rpm	0.030 lb•ft 0.04 N•m	Metal shield on one side, retainer on other side. Keyway on inside and outside diameter of Cam Clutch. Includes both	1.575 in 40.00 mm	

<u>Item #</u>	<u>Torque Capacity</u>	<u>Max. Overrunning Inner Race</u>	<u>Max. Overrunning Outer Race</u>	<u>Drag Torque</u>	<u>Construction</u>	<u>C (Bore Size)</u>	<u>Qua</u>
---------------	------------------------	------------------------------------	------------------------------------	--------------------	---------------------	----------------------	------------

keys.