

U.S. Tsubaki Power Transmission, LLC  
 U.S. Tsubaki Holdings, Inc.  
 Corporate Headquarters  
 301 E. Marquardt Dr.  
 Wheeling, IL 60090 USA

Toll Free: 800.323.7790

Phone: 847.459.9500

Fax: 847.459.9515

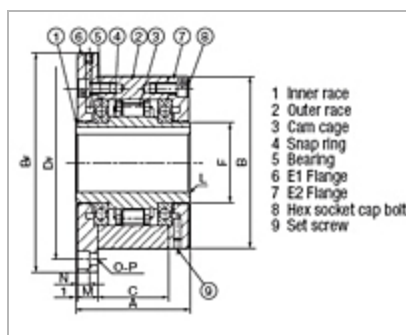
Email: [sales@ustsubaki.com](mailto:sales@ustsubaki.com)

Website: [www.ustsubaki.com](http://www.ustsubaki.com)

## BREU SERIES E1 FLANGE WITH E2 FLANGE CAM CLUTCH

The BREU Series Cam Clutch is commonly used in backstopping applications that require higher speed inner race overrunning, and low to medium speed engagement speed capability. The BREU Series Cam

[+ more](#)



1 2

<u>Item #</u>	<u>Bore Size</u>	<u>Torque Capacity</u>	<u>Min. Inner Race Overrunning</u>	<u>Max. Inner Race Overrunning</u>	<u>Max. Engagement</u>	<u>B (Cl Diam)</u>
<u>BREU30E1+E2</u>	1.181 in 30.00 mm	447.7 lb•ft 607.0 N•m	880 rpm	3600 rpm	350 rpm	3.93 100 m

<u>Item #</u>	<u>Bore Size</u>	<u>Torque Capacity</u>	<u>Min. Inner Race Overrunning</u>	<u>Max. Inner Race Overrunning</u>	<u>Max. Engagement</u>	<u>B (Cl Diam)</u>
<u>BREU35E1+E2</u>	1.378 in 35.00 mm	506.0 lb·ft 686.0 N·m	780 rpm	3600 rpm	300 rpm	4.33 110.0
<u>BREU40E1+E2</u>	1.575 in 40.00 mm	722.8 lb·ft 980.0 N·m	720 rpm	3600 rpm	300 rpm	4.92 125 m
<u>BREU45E1+E2</u>	1.772 in 45.00 mm	795.1 lb·ft 1078.0 N·m	670 rpm	3600 rpm	280 rpm	5.11 130 m
<u>BREU50E1+E2</u>	1.969 in 50.00 mm	1264.9 lb·ft 1715.0 N·m	610 rpm	3600 rpm	240 rpm	5.90 150 m
<u>BREU55E1+E2</u>	2.165 in 55.00 mm	1445.6 lb·ft 1960.0 N·m	580 rpm	3600 rpm	220 rpm	6.29 160 m
<u>BREU60E1+E2</u>	2.362 in 60.00 mm	2566.0 lb·ft 3479.0 N·m	490 rpm	3600 rpm	200 rpm	6.69 170 m

<u>Item #</u>	<u>Bore Size</u>	<u>Torque Capacity</u>	<u>Min. Inner Race Overrunning</u>	<u>Max. Inner Race Overrunning</u>	<u>Max. Engagement</u>	<u>B (Cl Diam</u>
<u>BREU70E1+E2</u>	2.756 in 70.00 mm	3492.3 lb·ft 4735.0 N·m	480 rpm	3600 rpm	200 rpm	7.48 190 m
<u>BREU80E1+E2</u>	3.150 in 80.00 mm	4806.7 lb·ft 6517.0 N·m	450 rpm	3600 rpm	190 rpm	8.26 210 m
<u>BREU90E1+E2</u>	3.543 in 90.00 mm	6288.4 lb·ft 8526.0 N·m	420 rpm	3000 rpm	180 rpm	9.05 230 m
<u>BREU100E1+E2</u>	3.937 in 100.00 mm	10480.7 lb·ft 14210.0 N·m	460 rpm	2500 rpm	180 rpm	10.63 270 m
<u>BREU130E1+E2</u>	5.118 in 130.00 mm	15034.4 lb·ft 20384.0 N·m	420 rpm	2200 rpm	180 rpm	12.20 310 m
<u>BREU150E1+E2</u>	5.906 in 150.00 mm	25009.2 lb·ft 33908.0 N·m	370 rpm	1300 rpm	180 rpm	15.74 400 m

<u>Item #</u>	<u>Bore Size</u>	<u>Torque Capacity</u>	<u>Min. Inner Race Overrunning</u>	<u>Max. Inner Race Overrunning</u>	<u>Max. Engagement</u>	<u>B (Cl Diam</u>
<u>BREU30KE1+E2</u>	1.181 in 30.00 mm	447.7 lb·ft 607.0 N·m	880 rpm	3600 rpm	350 rpm	3.93 100 m
<u>BREU35KE1+E2</u>	1.378 in 35.00 mm	506.0 lb·ft 686.0 N·m	780 rpm	3600 rpm	300 rpm	4.33 110.01
<u>BREU40KE1+E2</u>	1.575 in 40.00 mm	722.8 lb·ft 980.0 N·m	720 rpm	3600 rpm	300 rpm	4.92 125 m
<u>BREU45KE1+E2</u>	1.772 in 45.00 mm	795.1 lb·ft 1078.0 N·m	670 rpm	3600 rpm	280 rpm	5.11 130 m
<u>BREU50KE1+E2</u>	1.969 in 50.00 mm	1264.9 lb·ft 1715.0 N·m	610 rpm	3600 rpm	240 rpm	5.90 150 m
<u>BREU55KE1+E2</u>	2.165 in 55.00 mm	1445.6 lb·ft 1960.0 N·m	580 rpm	3600 rpm	220 rpm	6.29 160 m

<u>Item #</u>	<u>Bore Size</u>	<u>Torque Capacity</u>	<u>Min. Inner Race Overrunning</u>	<u>Max. Inner Race Overrunning</u>	<u>Max. Engagement</u>	<u>B (Cl Diam</u>
<u>BREU60KE1+E2</u>	2.362 in 60.00 mm	2566.0 lb·ft 3479.0 N·m	490 rpm	3600 rpm	200 rpm	6.69 170 m
<u>BREU70KE1+E2</u>	2.756 in 70.00 mm	3492.3 lb·ft 4735.0 N·m	480 rpm	3600 rpm	200 rpm	7.48 190 m
<u>BREU80KE1+E2</u>	3.150 in 80.00 mm	4806.7 lb·ft 6517.0 N·m	450 rpm	3600 rpm	190 rpm	8.26 210 m
<u>BREU90KE1+E2</u>	3.543 in 90.00 mm	6288.4 lb·ft 8526.0 N·m	420 rpm	3000 rpm	180 rpm	9.05 230 m
<u>BREU100KE1+E2</u>	3.937 in 100.00 mm	10480.7 lb·ft 14210.0 N·m	460 rpm	2500 rpm	180 rpm	10.63 270 m
<u>BREU130KE1+E2</u>	5.118 in 130.00 mm	15034.4 lb·ft 20384.0 N·m	420 rpm	2200 rpm	180 rpm	12.20 310 m