

U.S. Tsubaki Power Transmission, LLC
 U.S. Tsubaki Holdings, Inc.
 Corporate Headquarters
 301 E. Marquardt Dr.
 Wheeling, IL 60090 USA

Toll Free: 800.323.7790

Phone: 847.459.9500

Fax: 847.459.9515

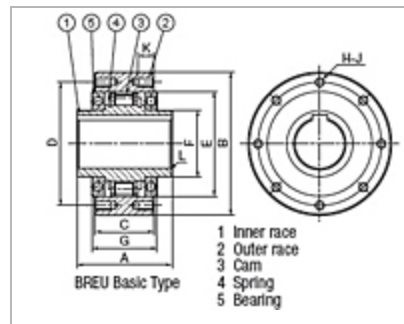
Email: sales@ustsubaki.com

Website: www.ustsubaki.com

BREU SERIES BASIC TYPE CAM CLUTCH

The BREU Series Cam Clutch is commonly used in backstopping applications that require higher speed inner race overrunning, and low to medium speed engagement speed capability. The BREU Series Cam

[+ more](#)



1 2

<u>Item #</u>	<u>Bore Size</u>	<u>Torque Capacity</u>	<u>Min. Inner Race Overrunning</u>	<u>Max. Inner Race Overrunning</u>	<u>Max. Engagement</u>	<u>Inner Race Keyway</u>
<u>BREU30</u>	1.181 in 30.00 mm	447.7 lb•ft 607.0 N•m	880 rpm	3600 rpm	350 rpm	8 x 3.3 mm

<u>Item #</u>	<u>Bore Size</u>	<u>Torque Capacity</u>	<u>Min. Inner Race Overrunning</u>	<u>Max. Inner Race Overrunning</u>	<u>Max. Engagement</u>	<u>Inner Race Keyway</u>
<u>BREU35</u>	1.378 in 35.00 mm	506.0 lb•ft 686.0 N•m	780 rpm	3600 rpm	300 rpm	10 x 3.3 mm
<u>BREU40</u>	1.575 in 40.00 mm	722.8 lb•ft 980.0 N•m	720 rpm	3600 rpm	300 rpm	12 x 3.3 mm
<u>BREU45</u>	1.772 in 45.00 mm	795.1 lb•ft 1078.0 N•m	670 rpm	3600 rpm	280 rpm	14 x 3.8 mm
<u>BREU50</u>	1.969 in 50.00 mm	1264.9 lb•ft 1715.0 N•m	610 rpm	3600 rpm	240 rpm	14 x 3.8 mm
<u>BREU55</u>	2.165 in 55.00 mm	1445.6 lb•ft 1960.0 N•m	580 rpm	3600 rpm	220 rpm	16 x 4.3 mm
<u>BREU60</u>	2.362 in 60.00 mm	2566.0 lb•ft 3479.0 N•m	490 rpm	3600 rpm	200 rpm	18 x 4.4 mm
	2.756	3492.3				

<u>Item #</u>	<u>Bore Size</u>	<u>Torque Capacity</u>	<u>Min. Inner Race Overrunning</u>	<u>Max. Inner Race Overrunning</u>	<u>Max. Engagement</u>	<u>Inner Race Keyway</u>
<u>BREU70</u>	in 70.00 mm	lb•ft 4735.0 N•m	480 rpm	3600 rpm	200 rpm	20 x 4.9 mm
<u>BREU80</u>	3.150 in 80.00 mm	4806.7 lb•ft 6517.0 N•m	450 rpm	3600 rpm	190 rpm	22 x 5.4 mm
<u>BREU90</u>	3.543 in 90.00 mm	6288.4 lb•ft 8526.0 N•m	420 rpm	3000 rpm	180 rpm	25 x 5.4 mm
<u>BREU100</u>	3.937 in 100.00 mm	10480.7 lb•ft 14210.0 N•m	460 rpm	2500 rpm	180 rpm	28 x 6.4 mm
<u>BREU130</u>	5.118 in 130.00 mm	15034.4 lb•ft 20384.0 N•m	420 rpm	2200 rpm	180 rpm	32 x 7.4 mm
<u>BREU150</u>	5.906 in 150.00 mm	25009.2 lb•ft 33908.0 N•m	370 rpm	1300 rpm	180 rpm	36 x 8.4 mm

<u>Item #</u>	<u>Bore Size</u>	<u>Torque Capacity</u>	<u>Min. Inner Race Overrunning</u>	<u>Max. Inner Race Overrunning</u>	<u>Max. Engagement</u>	<u>Inner Race Keyway</u>
<u>BREU30K</u>	1.181 in 30.00 mm	447.7 lb•ft 607.0 N•m	880 rpm	3600 rpm	350 rpm	8 x 3.3 mm
<u>BREU35K</u>	1.378 in 35.00 mm	506.0 lb•ft 686.0 N•m	780 rpm	3600 rpm	300 rpm	10 x 3.3 mm
<u>BREU40K</u>	1.575 in 40.00 mm	722.8 lb•ft 980.0 N•m	720 rpm	3600 rpm	300 rpm	12 x 3.3 mm
<u>BREU45K</u>	1.772 in 45.00 mm	795.1 lb•ft 1078.0 N•m	670 rpm	3600 rpm	280 rpm	14 x 3.8 mm
<u>BREU50K</u>	1.969 in 50.00 mm	1264.9 lb•ft 1715.0 N•m	610 rpm	3600 rpm	240 rpm	14 x 3.8 mm
<u>BREU55K</u>	2.165 in 55.00 mm	1445.6 lb•ft 1960.0 N•m	580 rpm	3600 rpm	220 rpm	16 x 4.3 mm
	2.362	2566.0				

<u>Item #</u>	<u>Bore Size</u>	<u>Torque Capacity</u>	<u>Min. Inner Race Overrunning</u>	<u>Max. Inner Race Overrunning</u>	<u>Max. Engagement</u>	<u>Inner Race Keyway</u>
<u>BREU60K</u>	in 60.00 mm	lb•ft 3479.0 N•m	490 rpm	3600 rpm	200 rpm	18 x 4.4 mm
<u>BREU70K</u>	2.756 in 70.00 mm	3492.3 lb•ft 4735.0 N•m	480 rpm	3600 rpm	200 rpm	20 x 4.9 mm
<u>BREU80K</u>	3.150 in 80.00 mm	4806.7 lb•ft 6517.0 N•m	450 rpm	3600 rpm	190 rpm	22 x 5.4 mm
<u>BREU90K</u>	3.543 in 90.00 mm	6288.4 lb•ft 8526.0 N•m	420 rpm	3000 rpm	180 rpm	25 x 5.4 mm
<u>BREU100K</u>	3.937 in 100.00 mm	10480.7 lb•ft 14210.0 N•m	460 rpm	2500 rpm	180 rpm	28 x 6.4 mm
<u>BREU130K</u>	5.118 in 130.00 mm	15034.4 lb•ft 20384.0 N•m	420 rpm	2200 rpm	180 rpm	32 x 7.4 mm