

U.S. Tsubaki Power Transmission, LLC  
 U.S. Tsubaki Holdings, Inc.  
 Corporate Headquarters  
 301 E. Marquardt Dr.  
 Wheeling, IL 60090 USA

Toll Free: 800.323.7790

Phone: 847.459.9500

Fax: 847.459.9515

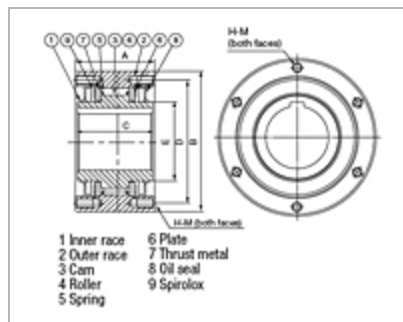
Email: [sales@ustsubaki.com](mailto:sales@ustsubaki.com)

Website: [www.ustsubaki.com](http://www.ustsubaki.com)

## BS SERIES BS65 - BS75 CAM CLUTCH

BS Series Cam Clutch products are designed to provide inner race overrunning capability in one direction of operation, and engage the outer race when reverse rotation is experienced. BS Series units

[+ more](#)



1 2

### Inner Race

Item #	Torque Capacity	Max. Overrunning Speed	Drag Torque	A (Overall Length)	B (Diameter)	D (Bolt Circle Diameter)	Quantity
--------	-----------------	------------------------	-------------	--------------------	--------------	--------------------------	----------

<u>Item #</u>	<u>Torque Capacity</u>	<u>Inner Race Max. Overrunning Speed</u>	<u>Drag Torque</u>	<u>A (Overall Length)</u>	<u>B (Diameter)</u>	<u>D (Bolt Circle Diameter)</u>	<u>Quantity</u>
<u>BS65-1H</u>	1158.0 lb•ft 1570.0 N•m	340 rpm	2.891 lb•ft 3.92 N•m	3.543 in 90.00 mm	6.299 in 160.00 mm	5.512 in 140.00 mm	1
<u>BS65-40</u>	1158.0 lb•ft 1570.0 N•m	340 rpm	2.891 lb•ft 3.92 N•m	3.543 in 90.00 mm	6.299 in 160.00 mm	5.512 in 140.00 mm	1
<u>BS65-1J</u>	1158.0 lb•ft 1570.0 N•m	340 rpm	2.891 lb•ft 3.92 N•m	3.543 in 90.00 mm	6.299 in 160.00 mm	5.512 in 140.00 mm	1
<u>BS65-1L</u>	1158.0 lb•ft 1570.0 N•m	340 rpm	2.891 lb•ft 3.92 N•m	3.543 in 90.00 mm	6.299 in 160.00 mm	5.512 in 140.00 mm	1
<u>BS65-45</u>	1158.0 lb•ft 1570.0 N•m	340 rpm	2.891 lb•ft 3.92 N•m	3.543 in 90.00 mm	6.299 in 160.00 mm	5.512 in 140.00 mm	1
<u>BS65-1P</u>	1158.0 lb•ft 1570.0 N•m	340 rpm	2.891 lb•ft 3.92 N•m	3.543 in 90.00 mm	6.299 in 160.00 mm	5.512 in 140.00 mm	1

<u>Item #</u>	<u>Torque Capacity</u>	<u>Inner Race Max. Overrunning Speed</u>	<u>Drag Torque</u>	<u>A (Overall Length)</u>	<u>B (Diameter)</u>	<u>D (Bolt Circle Diameter)</u>	<u>Quantity</u>
<u>BS65-50</u>	1158.0 lb•ft 1570.0 N•m	340 rpm	2.891 lb•ft 3.92 N•m	3.543 in 90.00 mm	6.299 in 160.00 mm	5.512 in 140.00 mm	1
<u>BS65-2</u>	1158.0 lb•ft 1570.0 N•m	340 rpm	2.891 lb•ft 3.92 N•m	3.543 in 90.00 mm	6.299 in 160.00 mm	5.512 in 140.00 mm	1
<u>BS65-2B</u>	1158.0 lb•ft 1570.0 N•m	340 rpm	2.891 lb•ft 3.92 N•m	3.543 in 90.00 mm	6.299 in 160.00 mm	5.512 in 140.00 mm	1
<u>BS65-55</u>	1158.0 lb•ft 1570.0 N•m	340 rpm	2.891 lb•ft 3.92 N•m	3.543 in 90.00 mm	6.299 in 160.00 mm	5.512 in 140.00 mm	1
<u>BS65-2D</u>	1158.0 lb•ft 1570.0 N•m	340 rpm	2.891 lb•ft 3.92 N•m	3.543 in 90.00 mm	6.299 in 160.00 mm	5.512 in 140.00 mm	1
<u>BS65-60</u>	1158.0 lb•ft 1570.0 N•m	340 rpm	2.891 lb•ft 3.92 N•m	3.543 in 90.00 mm	6.299 in 160.00 mm	5.512 in 140.00 mm	1

<u>Item #</u>	<u>Torque Capacity</u>	<u>Inner Race Max. Overrunning Speed</u>	<u>Drag Torque</u>	<u>A (Overall Length)</u>	<u>B (Diameter)</u>	<u>D (Bolt Circle Diameter)</u>	<u>Quantity</u>
<u>BS65-2G</u>	1158.0 lb•ft 1570.0 N•m	340 rpm	2.891 lb•ft 3.92 N•m	3.543 in 90.00 mm	6.299 in 160.00 mm	5.512 in 140.00 mm	1
<u>BS65-2H</u>	1158.0 lb•ft 1570.0 N•m	340 rpm	2.891 lb•ft 3.92 N•m	3.543 in 90.00 mm	6.299 in 160.00 mm	5.512 in 140.00 mm	1
<u>BS65-65</u>	1158.0 lb•ft 1570.0 N•m	340 rpm	2.891 lb•ft 3.92 N•m	3.543 in 90.00 mm	6.299 in 160.00 mm	5.512 in 140.00 mm	1
<u>BS75-1R</u>	1807.0 lb•ft 2450.0 N•m	300 rpm	4.337 lb•ft 5.88 N•m	3.543 in 90.00 mm	6.693 in 170.00 mm	5.906 in 150.00 mm	1
<u>BS75-2</u>	1807.0 lb•ft 2450.0 N•m	300 rpm	4.337 lb•ft 5.88 N•m	3.543 in 90.00 mm	6.693 in 170.00 mm	5.906 in 150.00 mm	1
<u>BS75-2B</u>	1807.0 lb•ft 2450.0 N•m	300 rpm	4.337 lb•ft 5.88 N•m	3.543 in 90.00 mm	6.693 in 170.00 mm	5.906 in 150.00 mm	1

<u>Item #</u>	<u>Torque Capacity</u>	<u>Inner Race Max. Overrunning Speed</u>	<u>Drag Torque</u>	<u>A (Overall Length)</u>	<u>B (Diameter)</u>	<u>D (Bolt Circle Diameter)</u>	<u>Quantity</u>
<u>BS75-2D</u>	1807.0 lb•ft 2450.0 N•m	300 rpm	4.337 lb•ft 5.88 N•m	3.543 in 90.00 mm	6.693 in 170.00 mm	5.906 in 150.00 mm	1
<u>BS75-60</u>	1807.0 lb•ft 2450.0 N•m	300 rpm	4.337 lb•ft 5.88 N•m	3.543 in 90.00 mm	6.693 in 170.00 mm	5.906 in 150.00 mm	1
<u>BS75-2G</u>	1807.0 lb•ft 2450.0 N•m	300 rpm	4.337 lb•ft 5.88 N•m	3.543 in 90.00 mm	6.693 in 170.00 mm	5.906 in 150.00 mm	1
<u>BS75-2H</u>	1807.0 lb•ft 2450.0 N•m	300 rpm	4.337 lb•ft 5.88 N•m	3.543 in 90.00 mm	6.693 in 170.00 mm	5.906 in 150.00 mm	1
<u>BS75-65</u>	1807.0 lb•ft 2450.0 N•m	300 rpm	4.337 lb•ft 5.88 N•m	3.543 in 90.00 mm	6.693 in 170.00 mm	5.906 in 150.00 mm	1
<u>BS75-2J</u>	1807.0 lb•ft 2450.0 N•m	300 rpm	4.337 lb•ft 5.88 N•m	3.543 in 90.00 mm	6.693 in 170.00 mm	5.906 in 150.00 mm	1

<u>Item #</u>	<u>Torque Capacity</u>	<u>Inner Race Max. Overrunning Speed</u>	<u>Drag Torque</u>	<u>A (Overall Length)</u>	<u>B (Diameter)</u>	<u>D (Bolt Circle Diameter)</u>	<u>Quantity</u>
<u>BS75-2L</u>	1807.0 lb·ft 2450.0 N·m	300 rpm	4.337 lb·ft 5.88 N·m	3.543 in 90.00 mm	6.693 in 170.00 mm	5.906 in 150.00 mm	1