

U.S. Tsubaki Power Transmission, LLC
 U.S. Tsubaki Holdings, Inc.
 Corporate Headquarters
 301 E. Marquardt Dr.
 Wheeling, IL 60090 USA

Toll Free: 800.323.7790

Phone: 847.459.9500

Fax: 847.459.9515

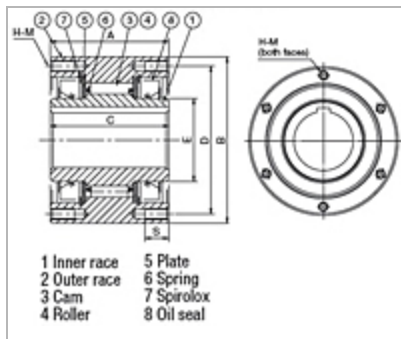
Email: sales@ustsubaki.com

Website: www.ustsubaki.com

BS SERIES BS30 - BS50 CAM CLUTCH

BS Series Cam Clutch products are designed to provide inner race overrunning capability in one direction of operation, and engage the outer race when reverse rotation is experienced. BS Series units

[+ more](#)



1

Inner Race

<u>Item #</u>	<u>Torque Capacity</u>	<u>Max. Overrunning Speed</u>	<u>Drag Torque</u>	<u>A (Overall Length)</u>	<u>B (Diameter)</u>	<u>D (Bolt Circle Diameter)</u>	<u>Quantity</u>
---------------	------------------------	-------------------------------	--------------------	---------------------------	---------------------	---------------------------------	-----------------

<u>Item #</u>	<u>Torque Capacity</u>	<u>Inner Race Max. Overrunning Speed</u>	<u>Drag Torque</u>	<u>A (Overall Length)</u>	<u>B (Diameter)</u>	<u>D (Bolt Circle Diameter)</u>	<u>Quantity</u>
<u>BS30-L</u>	217.0 lb•ft 294.0 N•m	350 rpm	0.428 lb•ft 0.58 N•m	2.520 in 64.00 mm	3.543 in 90.00 mm	3.150 in 80.00 mm	1
<u>BS30-P</u>	217.0 lb•ft 294.0 N•m	350 rpm	0.428 lb•ft 0.58 N•m	2.520 in 64.00 mm	3.543 in 90.00 mm	3.150 in 80.00 mm	1
<u>BS30-1</u>	217.0 lb•ft 294.0 N•m	350 rpm	0.428 lb•ft 0.58 N•m	2.520 in 64.00 mm	3.543 in 90.00 mm	3.150 in 80.00 mm	1
<u>BS30-1B</u>	217.0 lb•ft 294.0 N•m	350 rpm	0.428 lb•ft 0.58 N•m	2.520 in 64.00 mm	3.543 in 90.00 mm	3.150 in 80.00 mm	1
<u>BS30-30</u>	217.0 lb•ft 294.0 N•m	350 rpm	0.428 lb•ft 0.58 N•m	2.520 in 64.00 mm	3.543 in 90.00 mm	3.150 in 80.00 mm	1
<u>BS50-1D</u>	578.0 lb•ft 784.0 N•m	300 rpm	0.723 lb•ft 0.98 N•m	2.638 in 67.00 mm	4.921 in 125.00 mm	4.331 in 110.00 mm	1

<u>Item #</u>	<u>Torque Capacity</u>	<u>Inner Race Max. Overrunning Speed</u>	<u>Drag Torque</u>	<u>A (Overall Length)</u>	<u>B (Diameter)</u>	<u>D (Bolt Circle Diameter)</u>	<u>Quantity</u>
<u>BS50-1F</u>	578.0 lb•ft 784.0 N•m	300 rpm	0.723 lb•ft 0.98 N•m	2.638 in 67.00 mm	4.921 in 125.00 mm	4.331 in 110.00 mm	1
<u>BS50-1G</u>	578.0 lb•ft 784.0 N•m	300 rpm	0.723 lb•ft 0.98 N•m	2.638 in 67.00 mm	4.921 in 125.00 mm	4.331 in 110.00 mm	1
<u>BS50-1H</u>	578.0 lb•ft 784.0 N•m	300 rpm	0.723 lb•ft 0.98 N•m	2.638 in 67.00 mm	4.921 in 125.00 mm	4.331 in 110.00 mm	1
<u>BS50-1J</u>	578.0 lb•ft 784.0 N•m	300 rpm	0.723 lb•ft 0.98 N•m	2.638 in 67.00 mm	4.921 in 125.00 mm	4.331 in 110.00 mm	1
<u>BS50-1L</u>	578.0 lb•ft 784.0 N•m	300 rpm	0.723 lb•ft 0.98 N•m	2.638 in 67.00 mm	4.921 in 125.00 mm	4.331 in 110.00 mm	1
<u>BS50-45</u>	578.0 lb•ft 784.0 N•m	300 rpm	0.723 lb•ft 0.98 N•m	2.638 in 67.00 mm	4.921 in 125.00 mm	4.331 in 110.00 mm	1

<u>Item #</u>	<u>Torque Capacity</u>	<u>Inner Race Max. Overrunning Speed</u>	<u>Drag Torque</u>	<u>A (Overall Length)</u>	<u>B (Diameter)</u>	<u>D (Bolt Circle Diameter)</u>	<u>Quantity</u>
<u>BS50-1P</u>	578.0 lb·ft 784.0 N·m	300 rpm	0.723 lb·ft 0.98 N·m	2.638 in 67.00 mm	4.921 in 125.00 mm	4.331 in 110.00 mm	1
<u>BS50-50</u>	578.0 lb·ft 784.0 N·m	300 rpm	0.723 lb·ft 0.98 N·m	2.638 in 67.00 mm	4.921 in 125.00 mm	4.331 in 110.00 mm	1
<u>BS50-2</u>	578.0 lb·ft 784.0 N·m	300 rpm	0.723 lb·ft 0.98 N·m	2.638 in 67.00 mm	4.921 in 125.00 mm	4.331 in 110.00 mm	1