

U.S. Tsubaki Power Transmission, LLC  
 U.S. Tsubaki Holdings, Inc.  
 Corporate Headquarters  
 301 E. Marquardt Dr.  
 Wheeling, IL 60090 USA

Toll Free: 800.323.7790

Phone: 847.459.9500

Fax: 847.459.9515

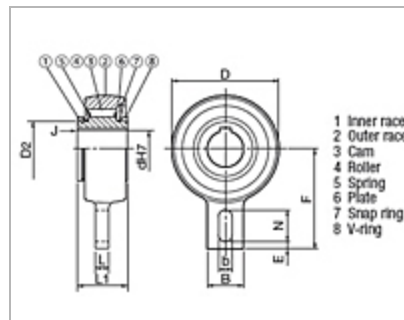
Email: [sales@ustsubaki.com](mailto:sales@ustsubaki.com)

Website: [www.ustsubaki.com](http://www.ustsubaki.com)

## BSEU SERIES CAM CLUTCH

BSEU Series Cam Clutch was developed as a user-friendly backstopping Cam Clutch. It has cam and roller construction which is the same as the smaller size BS Series Cam Clutch. The outer race has a

[+ more](#)



1

<u>Item #</u>	<u>Torque Capacity</u>	<u>Max. Overrunning Speed</u>	<u>Bore Size</u>	<u>Inner Race Keyway</u>	<u>D (Diameter)</u>	<u>L1 (Overall Width)</u>	<u>Quantity</u>
BSEU25- <u>20</u>	159.0 lb•ft 216.0 N•m	500 rpm	0.787 in 20.00 mm	6 x 2.8 mm	3.268 in 83.00 mm	1.378 in 35.00 mm	1

<u>Item #</u>	<u>Torque Capacity</u>	<u>Max. Overrunning Speed</u>	<u>Bore Size</u>	<u>Inner Race Keyway</u>	<u>D (Diameter)</u>	<u>L1 (Overall Width)</u>	<u>Quantity</u>
<u>BSEU25-25</u>	159.0 lb•ft 216.0 N•m	500 rpm	0.984 in 25.00 mm	8 x 3.3 mm	3.268 in 83.00 mm	1.378 in 35.00 mm	1
<u>BSEU40-20</u>	1062.0 lb•ft 1440.0 N•m	450 rpm	0.787 in 20.00 mm	6 x 2.8 mm	4.646 in 118.00 mm	2.165 in 55.00 mm	1
<u>BSEU40-25</u>	1062.0 lb•ft 1440.0 N•m	450 rpm	0.984 in 25.00 mm	8 x 3.3 mm	4.646 in 118.00 mm	2.165 in 55.00 mm	1
<u>BSEU40-30</u>	1062.0 lb•ft 1440.0 N•m	450 rpm	1.181 in 30.00 mm	8 x 3.3 mm	4.646 in 118.00 mm	2.165 in 55.00 mm	1
<u>BSEU40-35</u>	1062.0 lb•ft 1440.0 N•m	450 rpm	1.378 in 35.00 mm	10 x 3.3 mm	4.646 in 118.00 mm	2.165 in 55.00 mm	1
<u>BSEU40-40</u>	1062.0 lb•ft 1440.0 N•m	450 rpm	1.575 in 40.00 mm	12 x 3.3 mm	4.646 in 118.00 mm	2.165 in 55.00 mm	1

<u>Item #</u>	<u>Torque Capacity</u>	<u>Max. Overrunning Speed</u>	<u>Bore Size</u>	<u>Inner Race Keyway</u>	<u>D (Diameter)</u>	<u>L1 (Overall Width)</u>	<u>Quantity</u>
<u>BSEU70-45</u>	2316.0 lb•ft 3140.0 N•m	350 rpm	1.772 in 45.00 mm	14 x 3.8 mm	6.496 in 165.00 mm	2.323 in 59.00 mm	1
<u>BSEU70-50</u>	2316.0 lb•ft 3140.0 N•m	350 rpm	1.969 in 50.00 mm	14 x 3.8 mm	6.496 in 165.00 mm	2.323 in 59.00 mm	1
<u>BSEU70-55</u>	2316.0 lb•ft 3140.0 N•m	350 rpm	2.165 in 55.00 mm	16 x 4.3 mm	6.496 in 165.00 mm	2.323 in 59.00 mm	1
<u>BSEU70-60</u>	2316.0 lb•ft 3140.0 N•m	350 rpm	2.362 in 60.00 mm	18 x 4.4 mm	6.496 in 165.00 mm	2.323 in 59.00 mm	1
<u>BSEU70-65</u>	2316.0 lb•ft 3140.0 N•m	350 rpm	2.559 in 65.00 mm	18 x 4.4 mm	6.496 in 165.00 mm	2.323 in 59.00 mm	1
<u>BSEU70-70</u>	2316.0 lb•ft 3140.0 N•m	350 rpm	2.756 in 70.00 mm	20 x 4.9 mm	6.496 in 165.00 mm	2.323 in 59.00 mm	1

<u>Item #</u>	<u>Torque Capacity</u>	<u>Max. Overrunning Speed</u>	<u>Bore Size</u>	<u>Inner Race Keyway</u>	<u>D (Diameter)</u>	<u>L1 (Overall Width)</u>	<u>Quantity</u>
<u>BSEU90-75</u>	3467.0 lb•ft 4700.0 N•m	250 rpm	2.953 in 75.00 mm	20 x 4.9 mm	7.480 in 190.00 mm	2.480 in 63.00 mm	1
<u>BSEU90-80</u>	3467.0 lb•ft 4700.0 N•m	250 rpm	3.150 in 80.00 mm	22 x 5.4 mm	7.480 in 190.00 mm	2.480 in 63.00 mm	1
<u>BSEU90-85</u>	3467.0 lb•ft 4700.0 N•m	250 rpm	3.346 in 85.00 mm	22 x 5.4 mm	7.480 in 190.00 mm	2.480 in 63.00 mm	1
<u>BSEU90-90</u>	3467.0 lb•ft 4700.0 N•m	250 rpm	3.543 in 90.00 mm	25 x 5.4 mm	7.480 in 190.00 mm	2.480 in 63.00 mm	1