

U.S. Tsubaki Power Transmission, LLC  
 U.S. Tsubaki Holdings, Inc.  
 Corporate Headquarters  
 301 E. Marquardt Dr.  
 Wheeling, IL 60090 USA

Toll Free: 800.323.7790

Phone: 847.459.9500

Fax: 847.459.9515

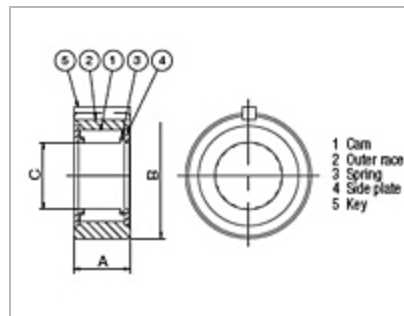
Email: [sales@ustsubaki.com](mailto:sales@ustsubaki.com)

Website: [www.ustsubaki.com](http://www.ustsubaki.com)

## BUS200 SERIES CAM CLUTCH

BUS200 Series Cam Clutch is a general purpose Cam Clutch used in backstop, overrunning, and indexing applications. Generally the customer supplies the inner race as a component of his machinery but

[+ more](#)



1

<u>Item #</u>	<u>Torque Capacity</u>	<u>Max. Overrunning Shaft</u>	<u>Max. Overrunning Outer Race</u>	<u>Drag Torque</u>	<u>Max. Indexing</u>	<u>A (Overall Width)</u>	<u>Quant</u>
<u>BUS203</u>	40.0 lb•ft 54.0 N•m	2400 rpm	500 rpm	0.074 lb•ft 0.10 N•m	150 cpm	1.000 in 25.40 mm	1

<u>Item #</u>	<u>Torque Capacity</u>	<u>Max. Overrunning Shaft</u>	<u>Max. Overrunning Outer Race</u>	<u>Drag Torque</u>	<u>Max. Indexing</u>	<u>A (Overall Width)</u>	<u>Quant</u>
<u>BUS204</u>	52.0 lb·ft 70.0 N·m	2400 rpm	500 rpm	0.074 lb·ft 0.10 N·m	150 cpm	1.000 in 25.40 mm	1
<u>BUS205</u>	81.0 lb·ft 110.0 N·m	1800 rpm	400 rpm	0.148 lb·ft 0.20 N·m	150 cpm	1.000 in 25.40 mm	1
<u>BUS206</u>	177.0 lb·ft 240.0 N·m	1800 rpm	350 rpm	0.148 lb·ft 0.20 N·m	150 cpm	1.125 in 28.58 mm	1
<u>BUS207</u>	280.0 lb·ft 380.0 N·m	1800 rpm	300 rpm	0.148 lb·ft 0.20 N·m	150 cpm	1.125 in 28.58 mm	1
<u>BUS208</u>	405.0 lb·ft 549.0 N·m	1800 rpm	200 rpm	0.148 lb·ft 0.20 N·m	150 cpm	1.250 in 31.75 mm	1
<u>BUS210</u>	578.0 lb·ft 784.0 N·m	1200 rpm	200 rpm	0.214 lb·ft 0.29 N·m	150 cpm	1.250 in 31.75 mm	1

<u>Item #</u>	<u>Torque Capacity</u>	<u>Max. Overrunning Shaft</u>	<u>Max. Overrunning Outer Race</u>	<u>Drag Torque</u>	<u>Max. Indexing</u>	<u>A (Overall Width)</u>	<u>Quant</u>
<u>BUS214</u>	1025.0 lb·ft 1390.0 N·m	1000 rpm	180 rpm	0.288 lb·ft 0.39 N·m	150 cpm	1.654 in 42.00 mm	1
<u>BUS209</u>	405.0 lb·ft 549.0 N·m	1800 rpm	200 rpm	0.150 lb·ft 0.20 N·m	150 cpm	1.250 in 31.75 mm	1
<u>BUS211</u>	578.0 lb·ft 784.0 N·m	1200 rpm	200 rpm	0.210 lb·ft 0.29 N·m	150 cpm	1.250 in 31.75 mm	1
<u>BUS212</u>	907.0 lb·ft 1230.0 N·m	1200 rpm	180 rpm	0.210 lb·ft 0.29 N·m	150 cpm	1.654 in 42.42 mm	1
<u>BUS213</u>	907.0 lb·ft 1230.0 N·m	1200 rpm	180 rpm	0.210 lb·ft 0.29 N·m	150 cpm	1.654 in 42.42 mm	1

1