

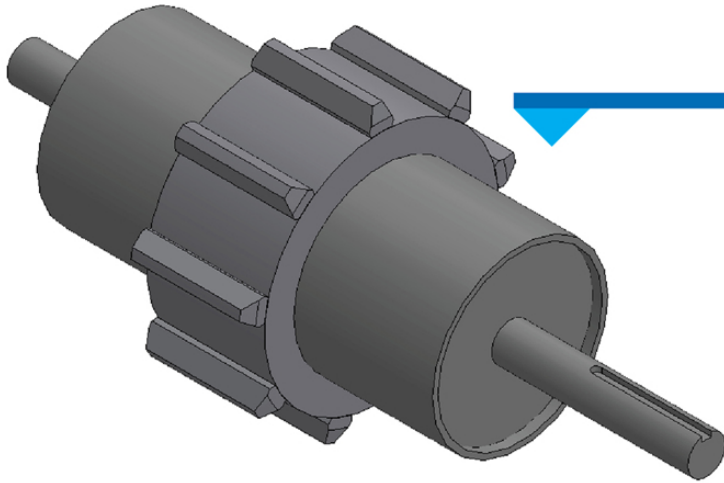


## New Bulk Material Handling Drum & Sprocket Assemblies



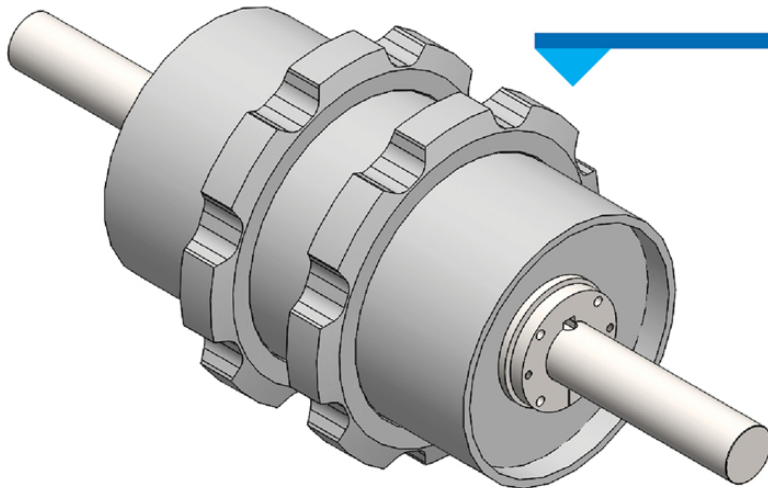
Tsubaki now offers drum sprockets and complete shaft assemblies with the same quality and support you have come to expect from all of our Power Transmission & Motion Control products. Check inside for a summary of our new capabilities and an easy-to-use quote inquiry sheet.

# Full-Face vs. A-Plate Drum Sprockets



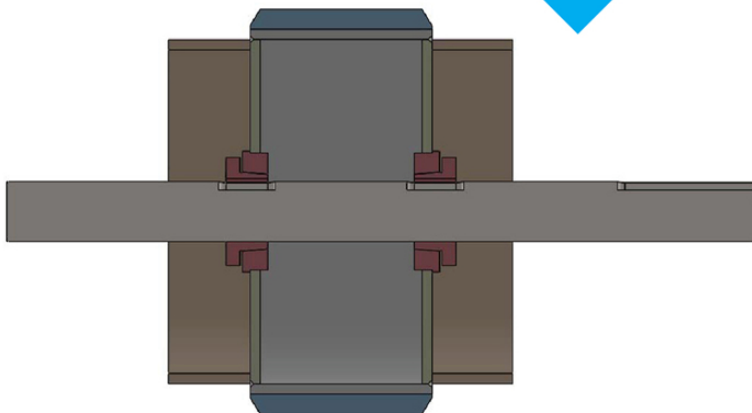
## Full-Face Drum Sprocket

Increased surface area resulting in lower contact pressure between the sprocket and chain, greater wear ability make full face the standard for most applications.



## A-Plate Drum Sprockets

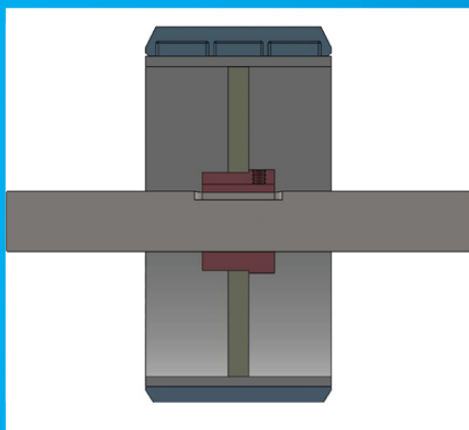
A-Plate style can handle greater misalignment and provide bulk material pass-through, however, less contact area may result in lower life.



## Optional Style with Flange

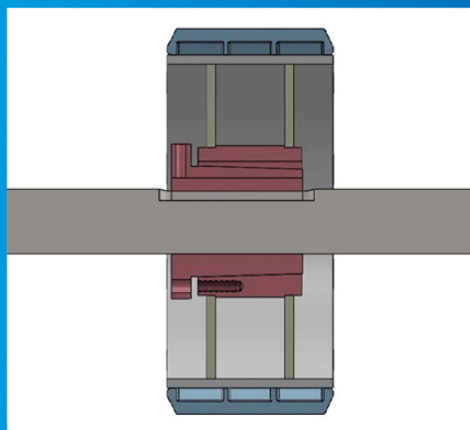
Flanges are different than an extended shroud even though they can both service the same purpose. A flange is separate piece that is welded to a plate.

# Hub Styles

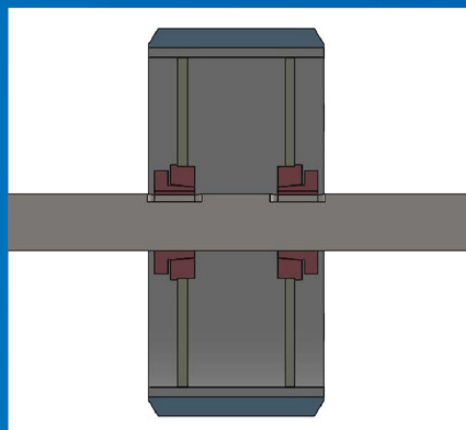


**Style 1**

**Style 1** for bores up to 3-15/16". **Style 2** with double hub plates are required for bores greater than 4". Split Taper bushings are standard for single style hubs.



**Style 2**



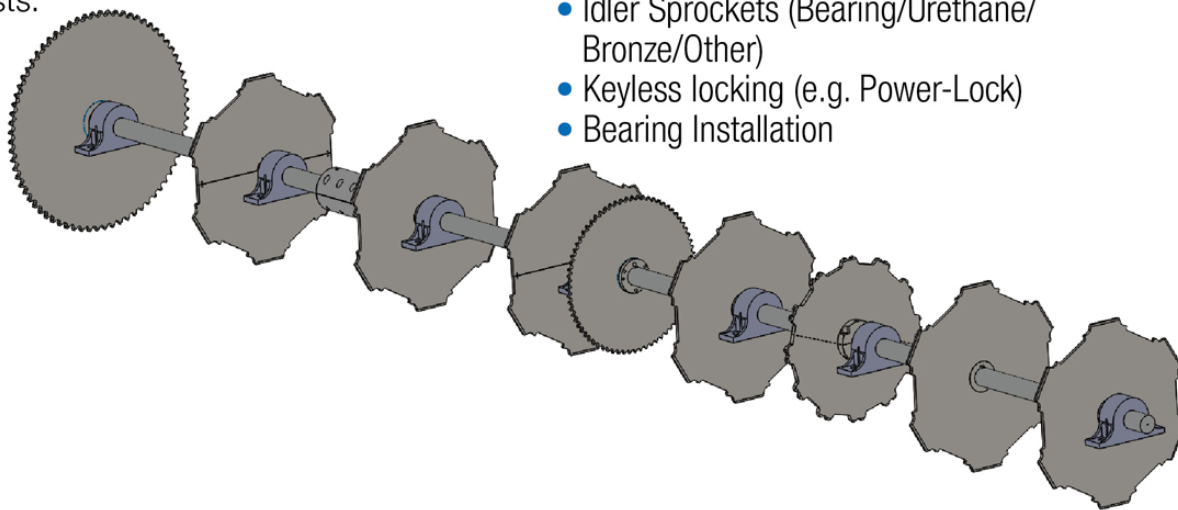
**Style 3**

For ease of installation XTBS type bushings are suggested for double hub construction

TYPE	BORE	BUSHING
Single	1-7/16" to 3-15/16"	S1
	4" to 4-15/16"	U1
	5" to 5-15/16"	W1
Multi	1-7/16" to 2-15/16"	XTB30
	3" to 3-7/16"	XTB35
	3-1/2" to 3-15/16"	XTB40
	4" to 4-7/16"	XTB45

## Shaft Assembly

Replacing shrunk fit components can be costly. Complete shaft assemblies reduce installation costs. Split to bolt sprockets reduce future maintenance costs.



## Mounting Methods:

- Finished bore - Slip-Fit & Heat Shrunk
- Split-Taper, Taper-Lock & QD Bushing
- Split to Bolt
- Idler Sprockets (Bearing/Urethane/Bronze/Other)
- Keyless locking (e.g. Power-Lock)
- Bearing Installation

## Single Drum Sprocket

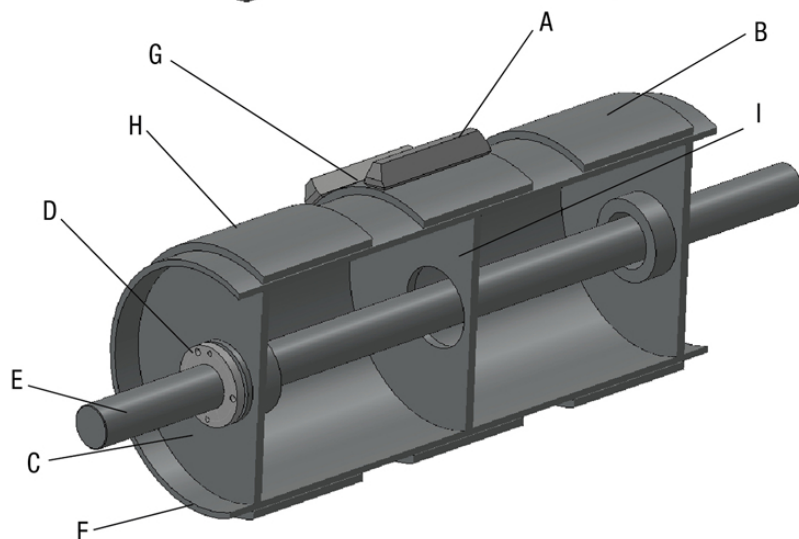
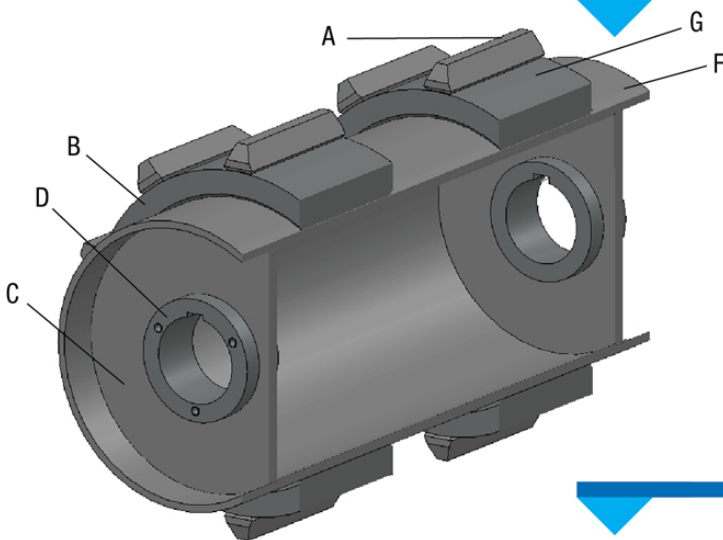
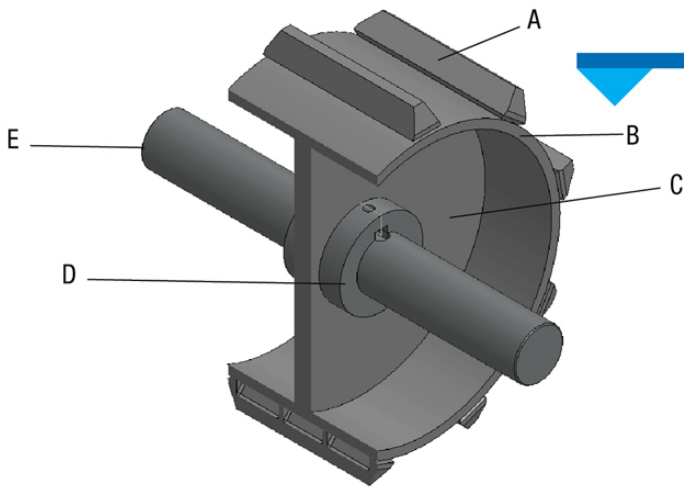
Teeth engage with the chain and provide positive traction. The Can is the main structural member of a drum assembly. Optionally a drum assembly may be supplied with no teeth to create a Traction Wheel or Idler.

## Double Drum Sprocket

To provide structural rigidity and strength, multiple-strand drums are supplied with a Shroud. Optionally multiple-strand drums may be supplied without a Shroud at customer request.

## Triple Strand, Combination Sprocket & Traction Wheel

On triple drum assemblies and greater, Support Plates are installed to provide additional structural strength.

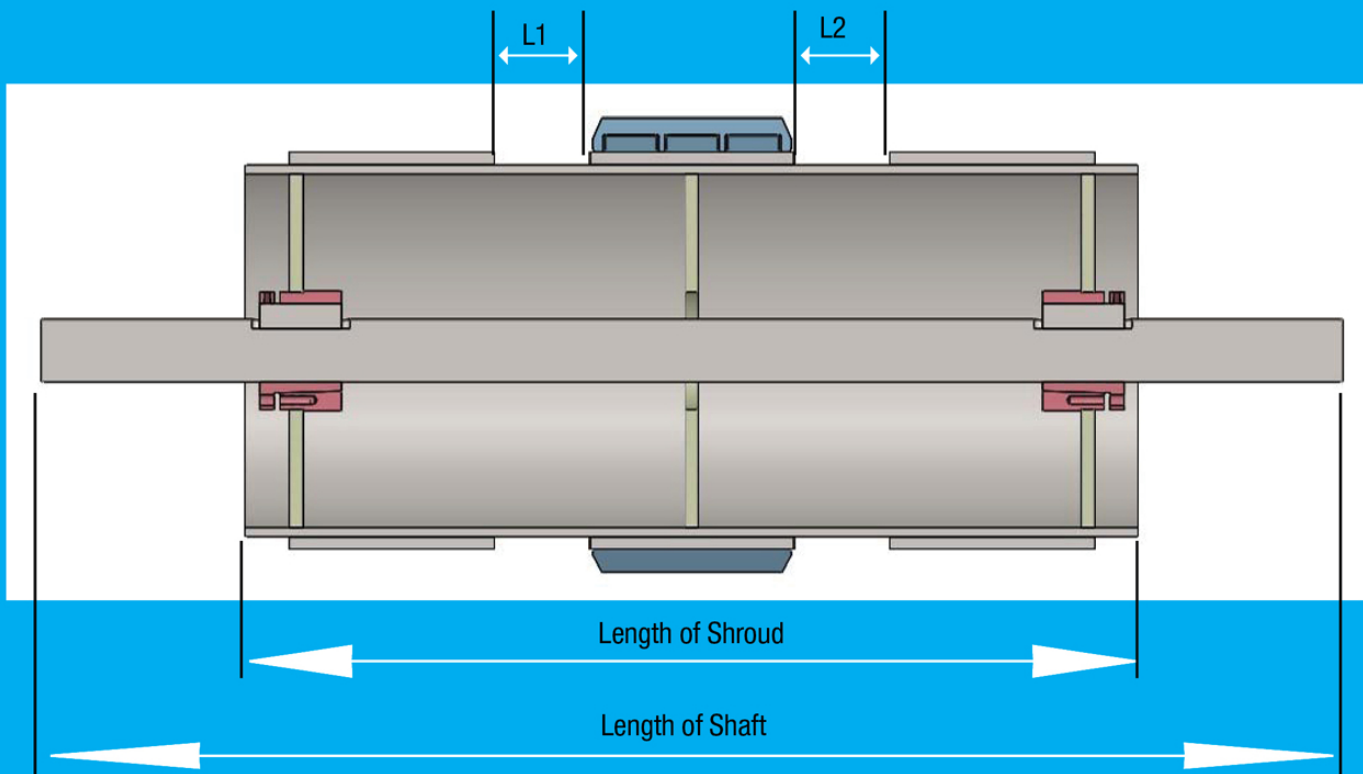


A	Teeth
B	Can
C	Hub Plate
D	Hub
E	Shaft
F	Shroud
G	Sprocket
H	Traction Wheel
I	Support Plate

# Drum Sprocket Inquiry Sheet

Nomenclature / Part Number  
**DR-480-1-10-A**

DR	480	1	10	A
Drum Assembly	Chain Number	# of Strands	# of Teeth	A plate style, otherwise full face is standard
Quantity		Number of Strands		
Chain Size		Number of Hub Plates		
Number of Teeth		Number of Hubs		
Bore		Mounting Type		



	STRAND 1	STRAND 2	STRAND 3	STRAND 4	STRAND 5
Is it a Sprocket or Traction Wheel?					
# of Effective Teeth					
Length between Strands	NA	L1=	L2=	L3=	L4=
Length of Shroud			Length of Shaft		
Shaft Keyway Width			# of Keyways		
Flange Diameter			Flange Length		
Bearings	YES / NO				
Brand Preference					

Send inquiry to: [ecdorders@ustsubaki.com](mailto:ecdorders@ustsubaki.com)



Sealed Joint  
Chain Options



Backstops &  
Overrunning Clutches



Steel Cable Carriers



Continuous-Flex  
Cables



SMART TOOTH™  
Sprockets



Titan® Series Chain



Corporate Headquarters  
U.S. Tsubaki Power Transmission, LLC  
301 E. Marquardt Drive  
Wheeling, IL 60090  
Tel: (800) 323-7790  
[www.ustsubaki.com](http://www.ustsubaki.com)



Roller Chain Division  
821 Main Street  
Holyoke, MA 01040  
Tel: (800) 323-7790



Conveyor and Construction  
Chain Division  
1010 Edgewater Drive  
Sandusky, OH 44870  
Tel: (800) 537-6140



Sprocket Manufacturing  
Mississauga, Ontario  
Tel: (800) 323-7790



KabelSchlepp Division  
7100 W. Marcia Rd  
Milwaukee, WI 53223  
Tel: (800) 443-4216