

U.S. Tsubaki Power Transmission, LLC
 U.S. Tsubaki Holdings, Inc.
 Corporate Headquarters
 301 E. Marquardt Dr.
 Wheeling, IL 60090 USA

Toll Free: 800.323.7790

Phone: 847.459.9500

Fax: 847.459.9515

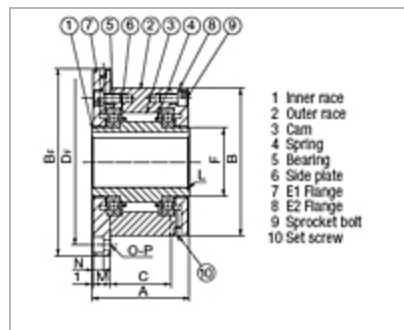
Email: sales@ustsubaki.com

Website: www.ustsubaki.com

MZEU SERIES E1 FLANGE WITH E2 FLANGE CAM CLUTCH

MZEU Series is a general purpose Cam Clutch suitable for a wide variety of applications. A selection of add-on flanges and torque arms are available enabling this Cam Clutch to easily fit where

[+ more](#)



1 2

<u>Item #</u>	<u>Bore Size</u>	<u>Torque Capacity</u>	<u>Max. Overrunning Shaft</u>	<u>Max. Overrunning Outer Race</u>	<u>Drag Torque</u>	<u>Inner Race Keyway</u>	<u>Q</u>
MZEU12E1+E2	0.472 in 12.00	44.3 lb•ft 60.0 N•m	2000 rpm	1000 rpm	0.148 lb•ft 0.20	4 x 1.8 mm	

<u>Item #</u>	<u>Bore Size</u>	<u>Torque Capacity</u>	<u>Max. Overrunning Shaft</u>	<u>Max. Overrunning Outer Race</u>	<u>Drag Torque</u>	<u>Inner Race Keyway</u>	<u>Q</u>
	mm				N•m		
<u>MZEU15E1+E2</u>	0.591 in 15.00 mm	73.8 lb•ft 100.0 N•m	1800 rpm	900 rpm	0.148 lb•ft 0.20 N•m	5 x 2.3 mm	
<u>MZEU20E1+E2</u>	0.787 in 20.00 mm	180.7 lb•ft 245.0 N•m	1600 rpm	700 rpm	0.214 lb•ft 0.29 N•m	6 x 2.8 mm	
<u>MZEU25E1+E2</u>	0.984 in 25.00 mm	313.5 lb•ft 425.0 N•m	1600 rpm	600 rpm	0.243 lb•ft 0.33 N•m	8 x 3.3 mm	
<u>MZEU30E1+E2</u>	1.181 in 30.00 mm	542.1 lb•ft 735.0 N•m	1500 rpm	500 rpm	0.288 lb•ft 0.39 N•m	8 x 3.3 mm	
<u>MZEU35E1+E2</u>	1.378 in 35.00 mm	748.6 lb•ft 1015.0 N•m	1400 rpm	300 rpm	0.361 lb•ft 0.49 N•m	10 x 3.3 mm	
<u>MZEU40E1+E2</u>	1.575 in 40.00 mm	995.7 lb•ft 1350.0 N•m	1400 rpm	300 rpm	0.435 lb•ft 0.59 N•m	12 x 3.3 mm	
	1.772	1194.8			0.509		

<u>Item #</u>	<u>Bore Size</u>	<u>Torque Capacity</u>	<u>Max. Overrunning Shaft</u>	<u>Max. Overrunning Outer Race</u>	<u>Drag Torque</u>	<u>Inner Race Keyway</u>	<u>Q</u>
<u>MZEU45E1+E2</u>	in 45.00 mm	lb•ft 1620.0 N•m	1400 rpm	300 rpm	lb•ft 0.69 N•m	14 x 3.8 mm	
<u>MZEU50E1+E2</u>	1.969 in 50.00 mm	1526.7 lb•ft 2070.0 N•m	1300 rpm	250 rpm	0.583 lb•ft 0.79 N•m	14 x 3.8 mm	
<u>MZEU55E1+E2</u>	2.165 in 55.00 mm	1770.1 lb•ft 2400.0 N•m	1300 rpm	250 rpm	0.649 lb•ft 0.88 N•m	16 x 4.3 mm	
<u>MZEU60E1+E2</u>	2.362 in 60.00 mm	2175.8 lb•ft 2950.0 N•m	1200 rpm	250 rpm	0.723 lb•ft 0.98 N•m	18 x 4.4 mm	
<u>MZEU70E1+E2</u>	2.756 in 70.00 mm	3105.1 lb•ft 4210.0 N•m	1100 rpm	250 rpm	0.937 lb•ft 1.27 N•m	20 x 4.9 mm	
<u>MZEU80E1+E2</u>	3.150 in 80.00 mm	3813.2 lb•ft 5170.0 N•m	800 rpm	200 rpm	1.018 lb•ft 1.38 N•m	22 x 5.4 mm	
<u>MZEU90E1+E2</u>	3.543 in 90.00	8850.7 lb•ft 12000.0	450 rpm	150 rpm	3.467 lb•ft 4.70	25 x 5.4 mm	

<u>Item #</u>	<u>Bore Size</u>	<u>Torque Capacity</u>	<u>Max. Overrunning Shaft</u>	<u>Max. Overrunning Outer Race</u>	<u>Drag Torque</u>	<u>Inner Race Keyway</u>	<u>Q</u>
	mm	N•m			N•m		
<u>MZEU100E1+E2</u>	3.937 in 100.00 mm	12981.1 lb•ft 17600.0 N•m	400 rpm	130 rpm	3.975 lb•ft 5.39 N•m	28 x 6.4 mm	
<u>MZEU130E1+E2</u>	5.118 in 130.00 mm	18070.2 lb•ft 24500.0 N•m	320 rpm	110 rpm	4.986 lb•ft 6.76 N•m	32 x 7.4 mm	
<u>MZEU150E1+E2</u>	5.906 in 150.00 mm	24929.5 lb•ft 33800.0 N•m	240 rpm	80 rpm	5.996 lb•ft 8.13 N•m	36 x 8.4 mm	
<u>MZEU12KE1+E2</u>	0.472 in 12.00 mm	44.3 lb•ft 60.0 N•m	2000 rpm	1000 rpm	0.148 lb•ft 0.20 N•m	4 x 1.8 mm	
<u>MZEU15KE1+E2</u>	0.591 in 15.00 mm	73.8 lb•ft 100.0 N•m	1800 rpm	900 rpm	0.148 lb•ft 0.20 N•m	5 x 2.3 mm	
<u>MZEU20KE1+E2</u>	0.787 in 20.00 mm	180.7 lb•ft 245.0 N•m	1600 rpm	700 rpm	0.214 lb•ft 0.29 N•m	6 x 2.8 mm	
	0.984	313.5			0.243		

<u>Item #</u>	<u>Bore Size</u>	<u>Torque Capacity</u>	<u>Max. Overrunning Shaft</u>	<u>Max. Overrunning Outer Race</u>	<u>Drag Torque</u>	<u>Inner Race Keyway</u>	<u>Q</u>
<u>MZEU25KE1+E2</u>	in 25.00 mm	lb•ft 425.0 N•m	1600 rpm	600 rpm	lb•ft 0.33 N•m	8 x 3.3 mm	
<u>MZEU30KE1+E2</u>	1.181 in 30.00 mm	542.1 lb•ft 735.0 N•m	1500 rpm	500 rpm	0.288 lb•ft 0.39 N•m	8 x 3.3 mm	
<u>MZEU35KE1+E2</u>	1.378 in 35.00 mm	748.6 lb•ft 1015.0 N•m	1400 rpm	300 rpm	0.361 lb•ft 0.49 N•m	10 x 3.3 mm	
<u>MZEU40KE1+E2</u>	1.575 in 40.00 mm	995.7 lb•ft 1350.0 N•m	1400 rpm	300 rpm	0.435 lb•ft 0.59 N•m	12 x 3.3 mm	
<u>MZEU45KE1+E2</u>	1.772 in 45.00 mm	1194.8 lb•ft 1620.0 N•m	1400 rpm	300 rpm	0.509 lb•ft 0.69 N•m	14 x 3.8 mm	