

U.S. Tsubaki Power Transmission, LLC
U.S. Tsubaki Holdings, Inc.
Corporate Headquarters
301 E. Marquardt Dr.
Wheeling, IL 60090 USA

Toll Free: 800.323.7790

Phone: 847.459.9500

Fax: 847.459.9515

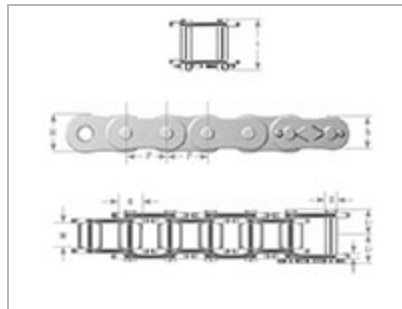
Email: sales@ustsubaki.com

Website: www.ustsubaki.com

SUPER STAINLESS™ CHAINS

Super Stainless™ chain combines the corrosion resistance of stainless steel with the strength of carbon steel. This chain offers a higher side-bar waist and greater fatigue strength, as well as

[+ more](#)



<u>Item #</u>	<u>Strand</u>	<u>Material</u>	<u>ANSI No.</u>	<u>P - Pitch</u>	<u>W - Width Between Roller Link Plates</u>	<u>H</u>	<u>Approx. Weight lbs/ft.</u>	<u>Quantity</u>
<u>40SUPERSSRB</u>	Single	Super Stainless	40	0.500 in	0.312 in	0.472 in	0.470 lb	1
<u>50SUPERSSRB</u>	Single	Super Stainless	50	0.625 in	0.375 in	0.591 in	0.760 lb	1
<u>60SUPERSSRB</u>	Single	Super Stainless	60	0.750 in	0.500 in	0.713 in	1.12 lb	1
<u>80SUPERSSRB</u>	Single	Super Stainless	80	1.000 in	0.625 in	0.949 in	1.95 lb	1
<u>100SUPERSSRB</u>	Single	Super Stainless	100	1.250 in	0.750 in	1.185 in	2.68 lb	1