

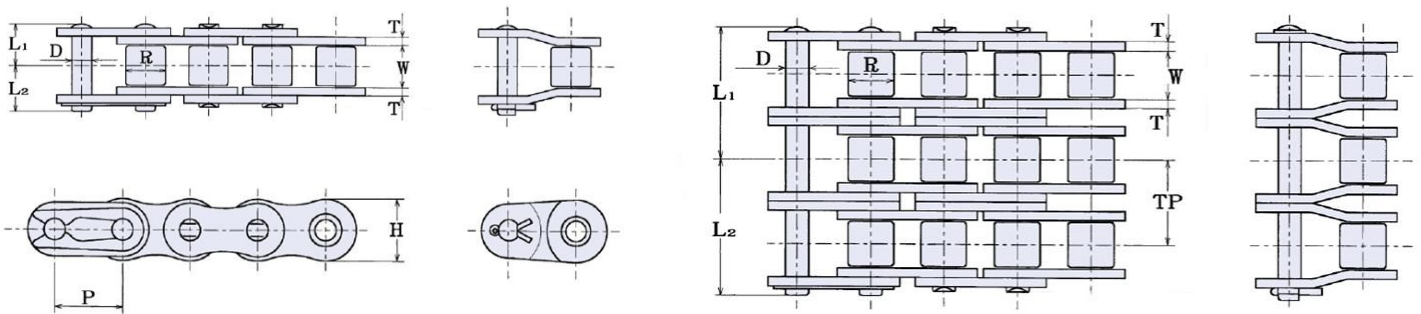
HKKChain



50 Roller Chain

Superior Capacity Plus

HKK's precision power transmission roller chains are technologically advanced for high strength and low elongation. HKK Superior Capacity Plus® cold-forged solid rollers and solid bushings, is of the highest quality roller chain available. Meets or exceeds ANSI standard B29.1. The most suitable selection for most any application.



HKK ANSI #50 Specifications

HKK Chain Number	Pitch	Roller		Pin	Plate		Overall Width		Transverse	Maximum Allowable Load (Lbs)	Average Ultimate Strength (Lbs)	Average Weight Per Foot (Lbs)			
		Dia.	Width	Dia.	Height	Thickness	L1	L2							
	A	B	W	D	H	T	L1	L2	G						
HKK 50	5/8	0.400	3/8	0.200	0.571	0.080	.400	.445	.712	1,620	7,200	0.67			
HKK 50-2							.752	.803					2,380	14,400	1.36
HKK 50-3							1.099	1.169							
HKK 50-4							1.472	1.536					4,620	28,800	2.69

FEATURES

- Superior Capacity Plus®
- Cold-Forged Solid Bushings
- Wide waist side plates
- Full strength connecting links
- Special alloy pins
- All parts shot peened
- Many other engineered advantages

Other Variations

- Stainless Steel
- Aqua-Series II
- Nickel Plated
- Self-Lube
- Heavy Series
- Attachments

Made in Japan

www.HKKChain.com